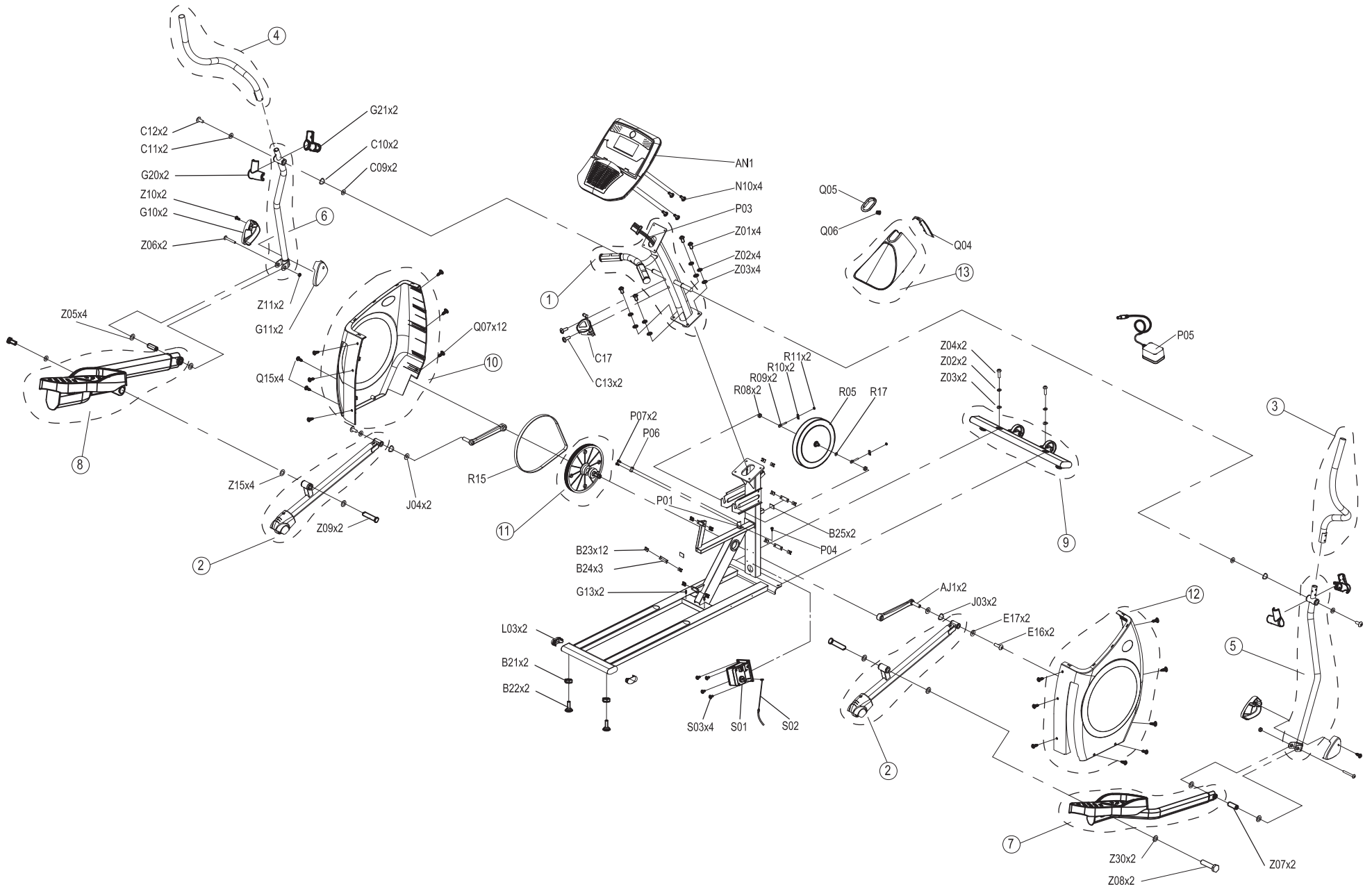
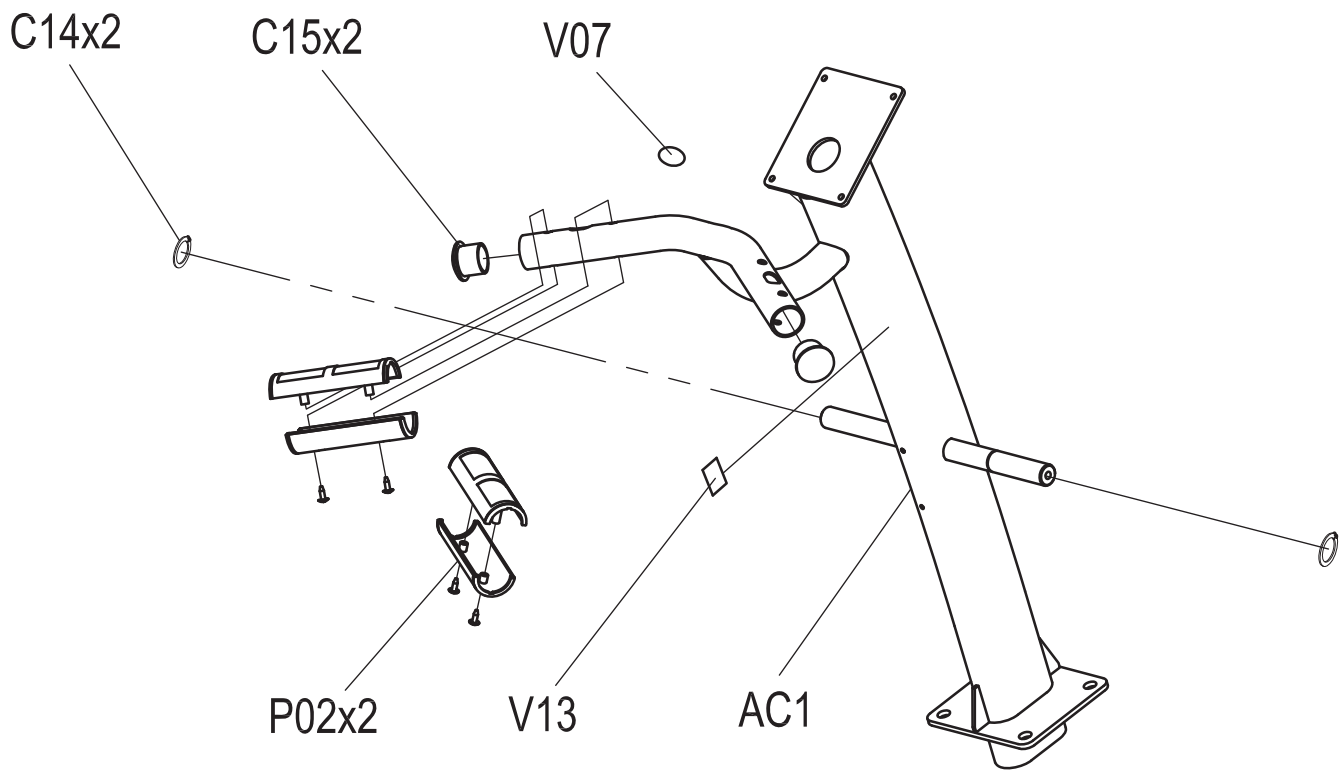


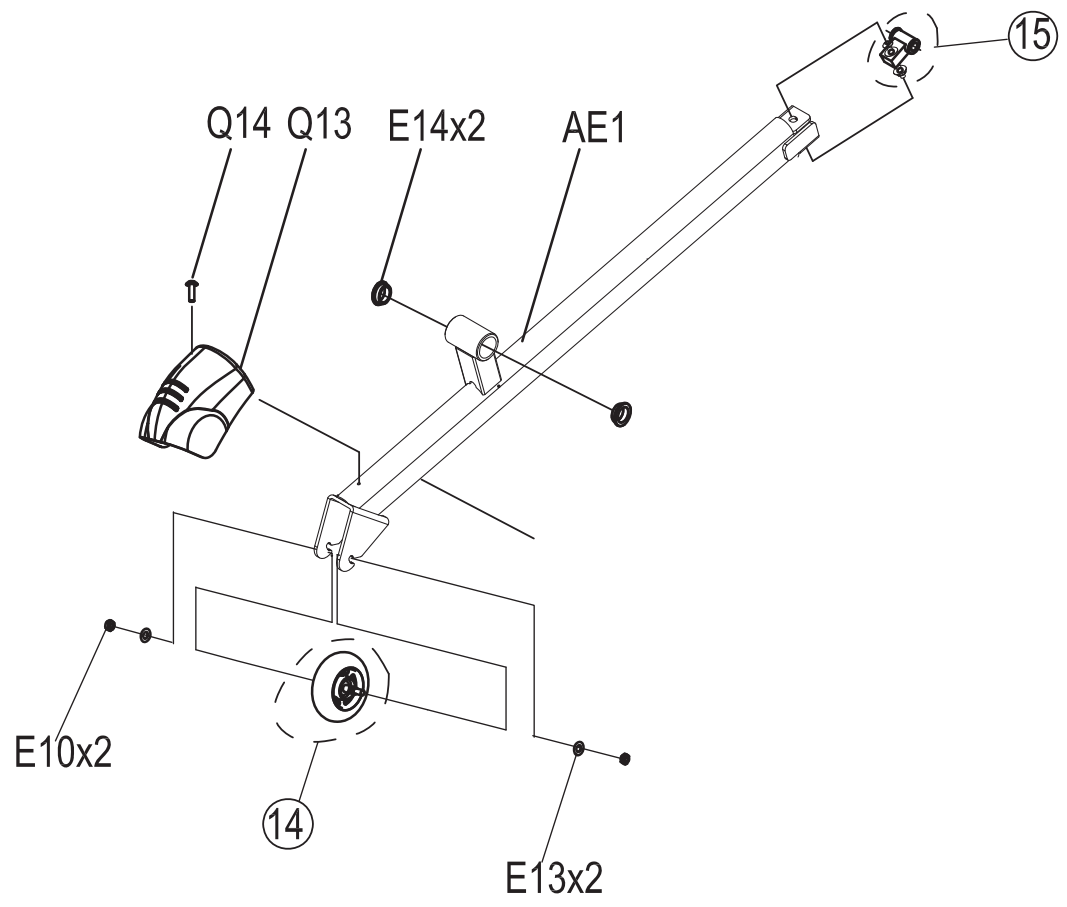
|            |                      |      |            |
|------------|----------------------|------|------------|
| DRAWING NO | PEP571-1US           |      |            |
| PART NAME  | Part explode diagram |      |            |
| PART NO    | HEP0409-00           | REV  | A          |
| APPROVE    |                      | DATE | 2012.07.11 |



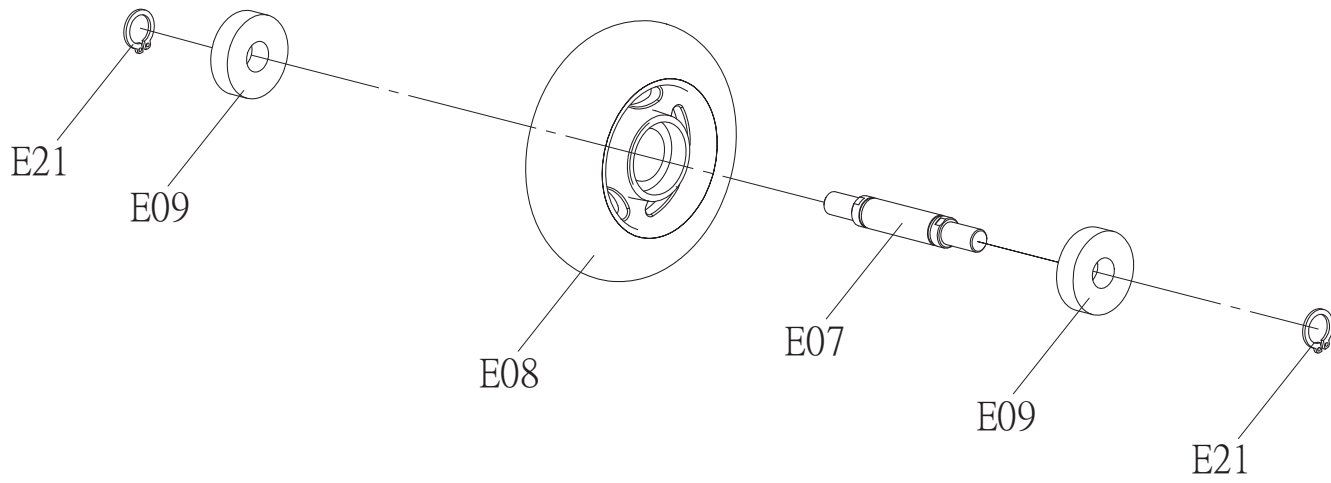
|            |                  |      |            |
|------------|------------------|------|------------|
| DRAWING NO | EP571-A11        |      |            |
| PART NAME  | Console Mast set |      |            |
| PART NO    | 1000233135       | REV  | A          |
| APPROVE    |                  | DATE | 2012.06.22 |



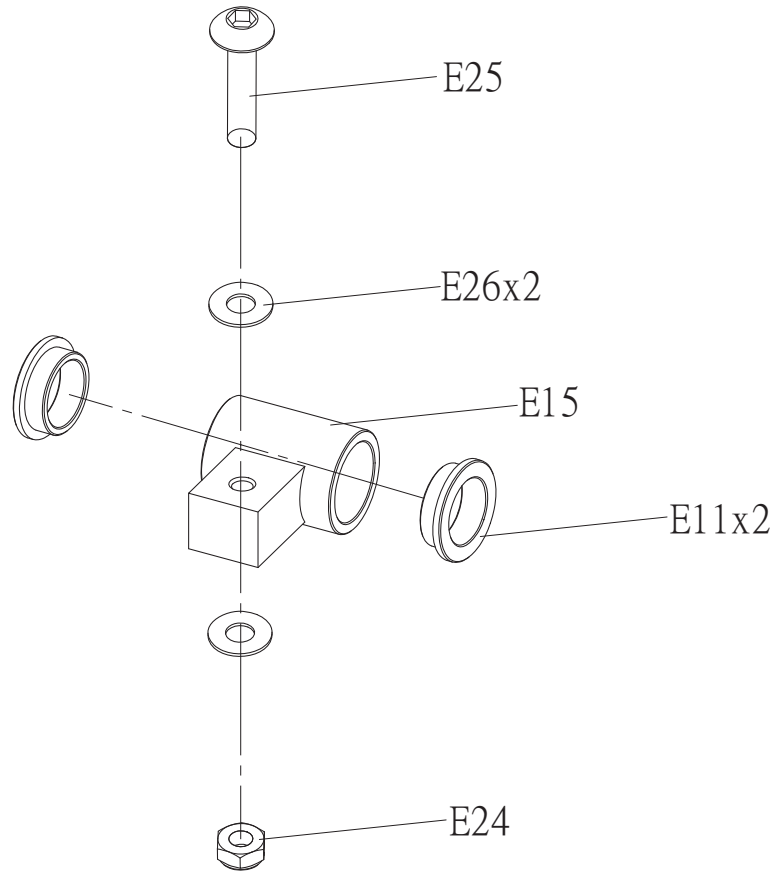
|            |               |      |            |
|------------|---------------|------|------------|
| DRAWING NO | EP571-A12     |      |            |
| PART NAME  | Pedal Arm set |      |            |
| PART NO    | 1000233136    | REV  | A          |
| APPROVE    |               | DATE | 2012.06.22 |



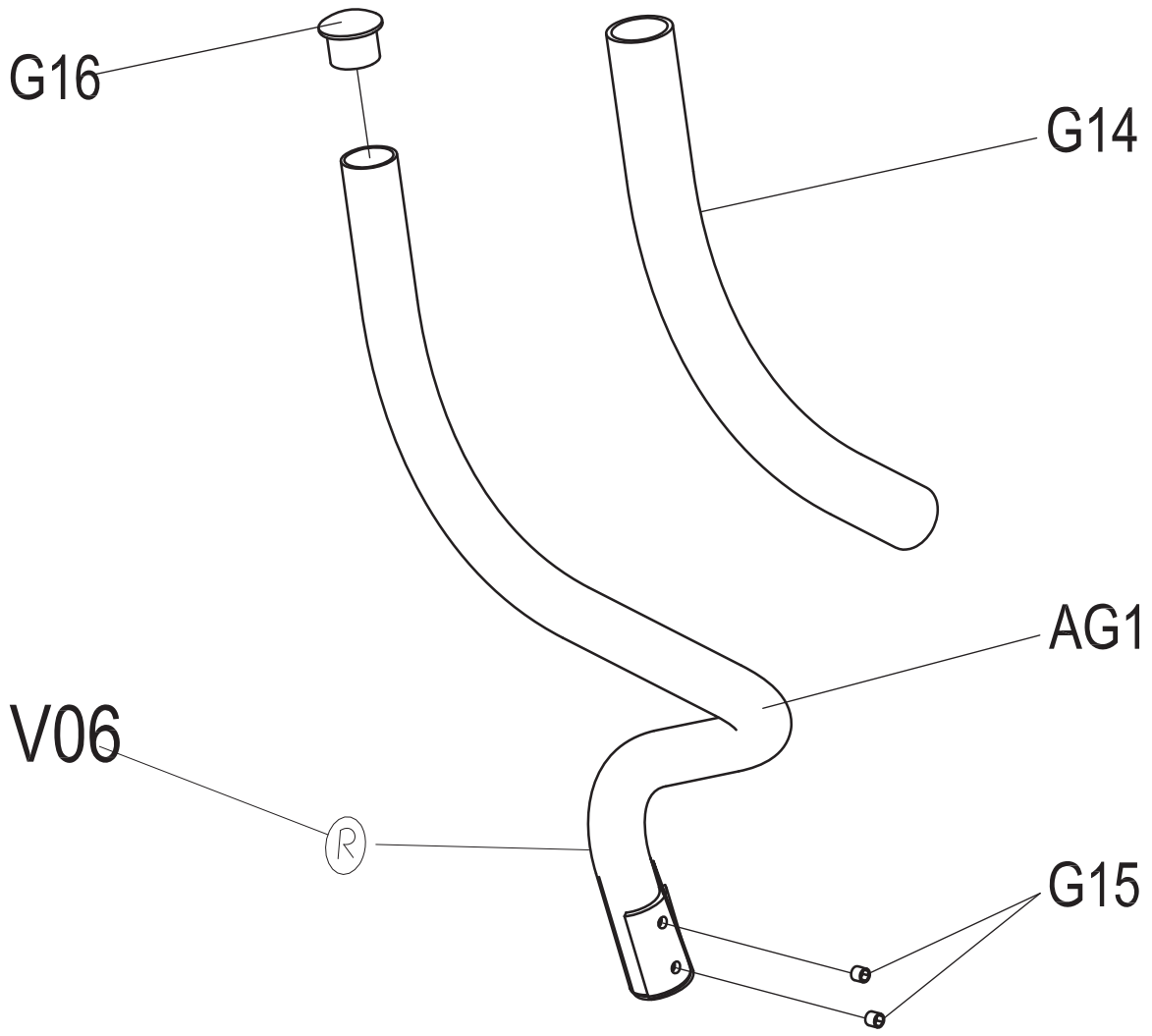
|            |            |      |          |
|------------|------------|------|----------|
| DRAWING NO | EP505-A26  |      |          |
| PART NAME  | Roller Set |      |          |
| PART NO    | 1000213201 | REV  | A        |
| APPROVE    | Dary       | DATE | 12.06.10 |



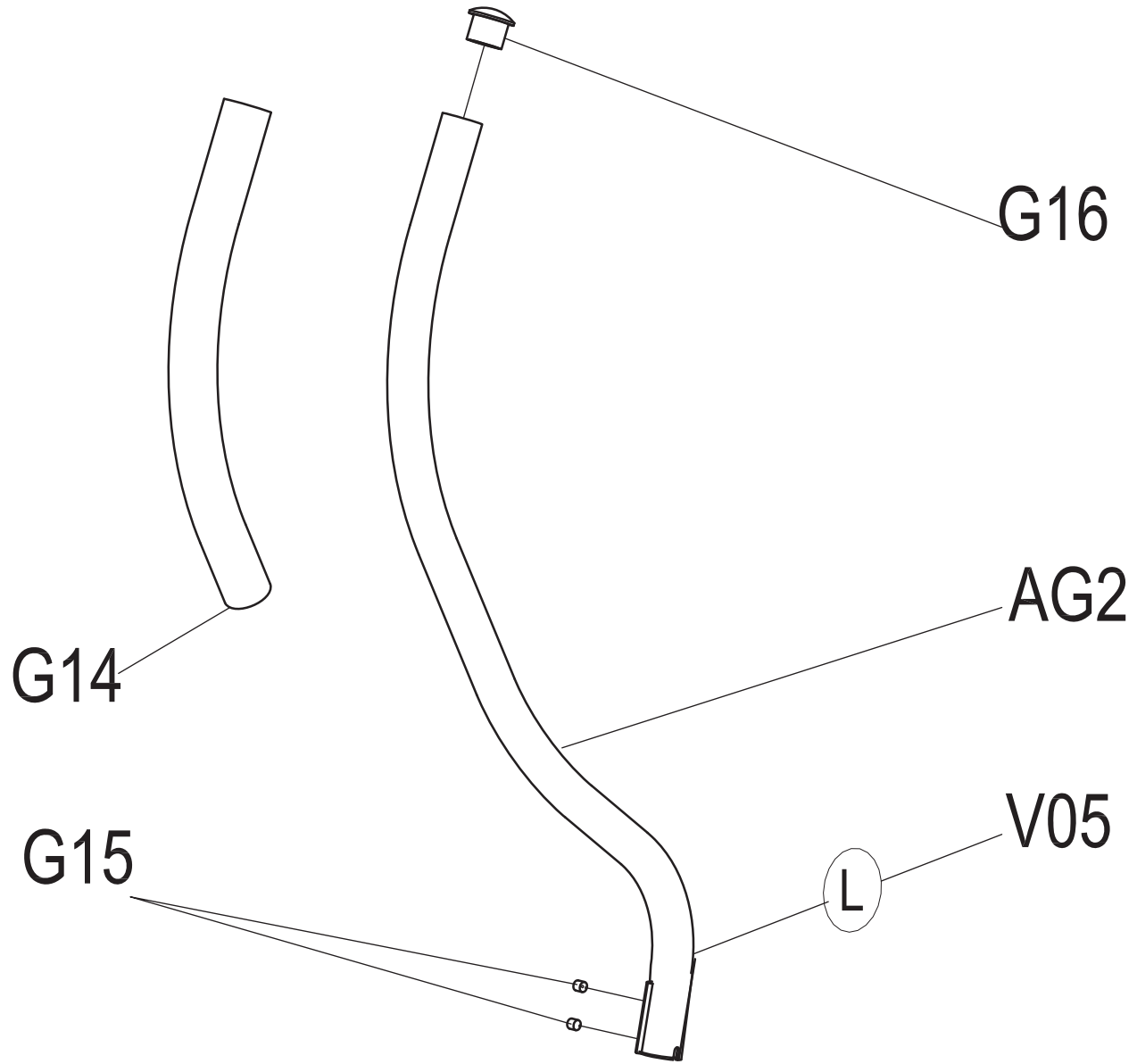
|            |                  |      |          |
|------------|------------------|------|----------|
| DRAWING NO | EP505-A27        |      |          |
| PART NAME  | Crank Pin Sleeve |      |          |
| PART NO    | 1000213202       | REV  | A        |
| APPROVE    | Dary             | DATE | 12.06.10 |



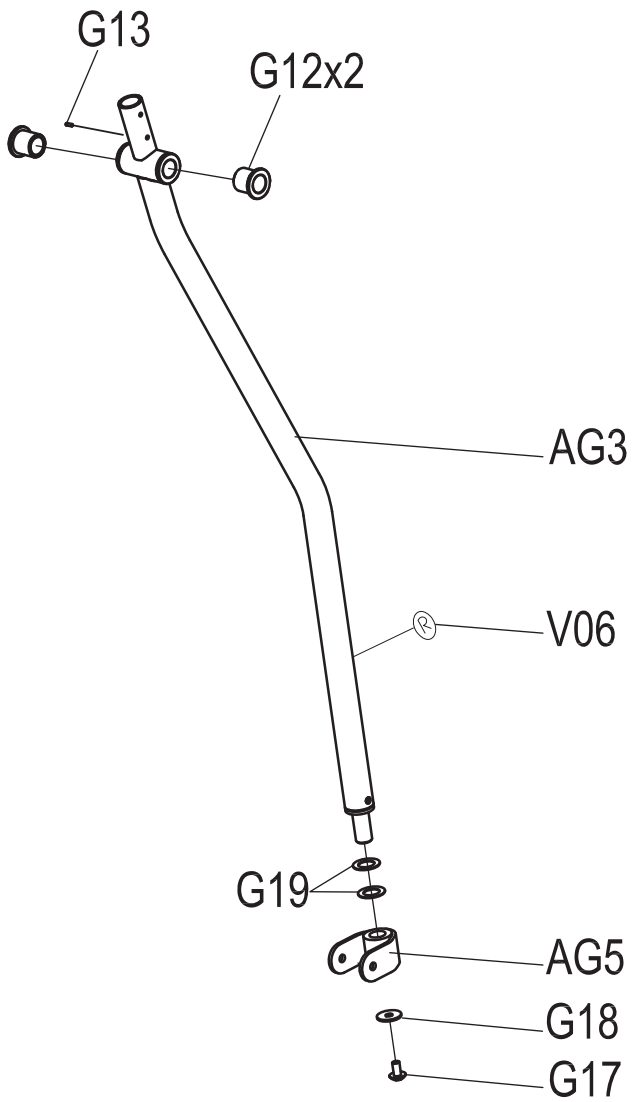
|            |                 |      |            |
|------------|-----------------|------|------------|
| DRAWING NO | EP571-A13       |      |            |
| PART NAME  | RU-ARM Rest Set |      |            |
| PART NO    | 1000233137      | REV  | A          |
| APPROVE    |                 | DATE | 2012.06.22 |



|            |                 |      |            |
|------------|-----------------|------|------------|
| DRAWING NO | EP571-A14       |      |            |
| PART NAME  | LU-ARM Rest Set |      |            |
| PART NO    | 1000233138      | REV  | A          |
| APPROVE    |                 | DATE | 2012.06.22 |

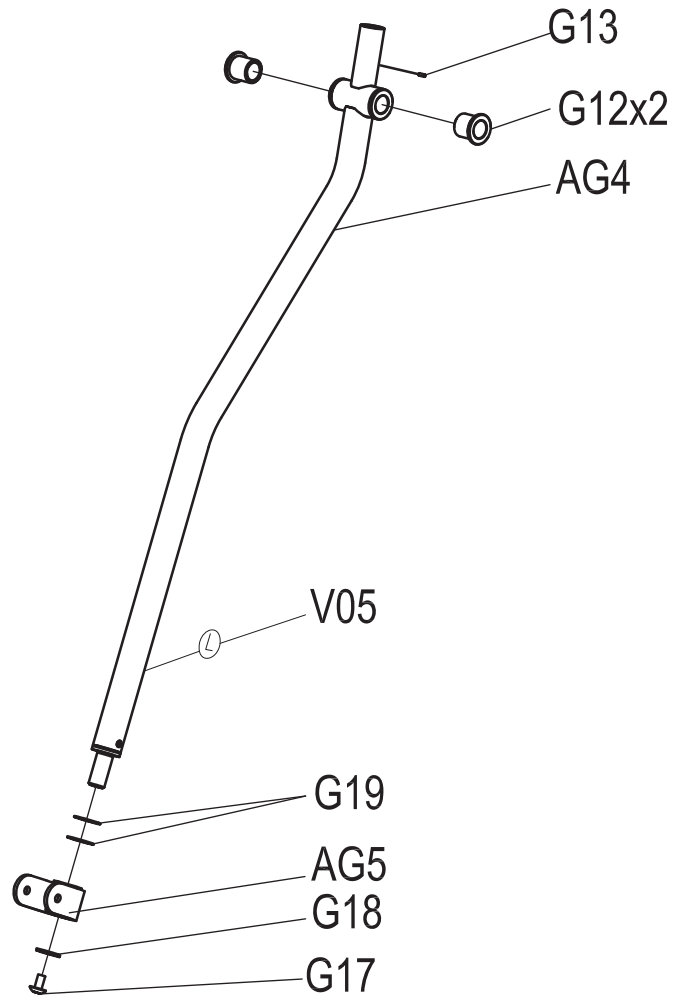


|            |                 |      |            |
|------------|-----------------|------|------------|
| DRAWING NO | EP571-A15       |      |            |
| PART NAME  | RD-Arm Rest Set |      |            |
| PART NO    | 1000233139      | REV  | A          |
| APPROVE    |                 | DATE | 2012.06.22 |

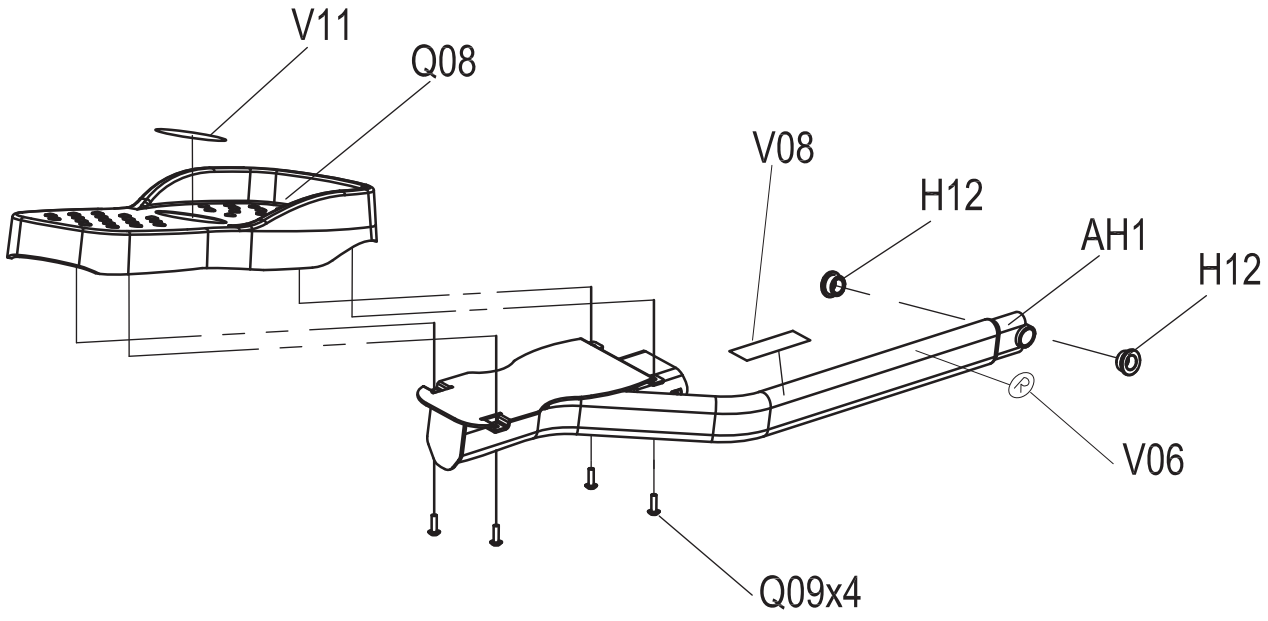




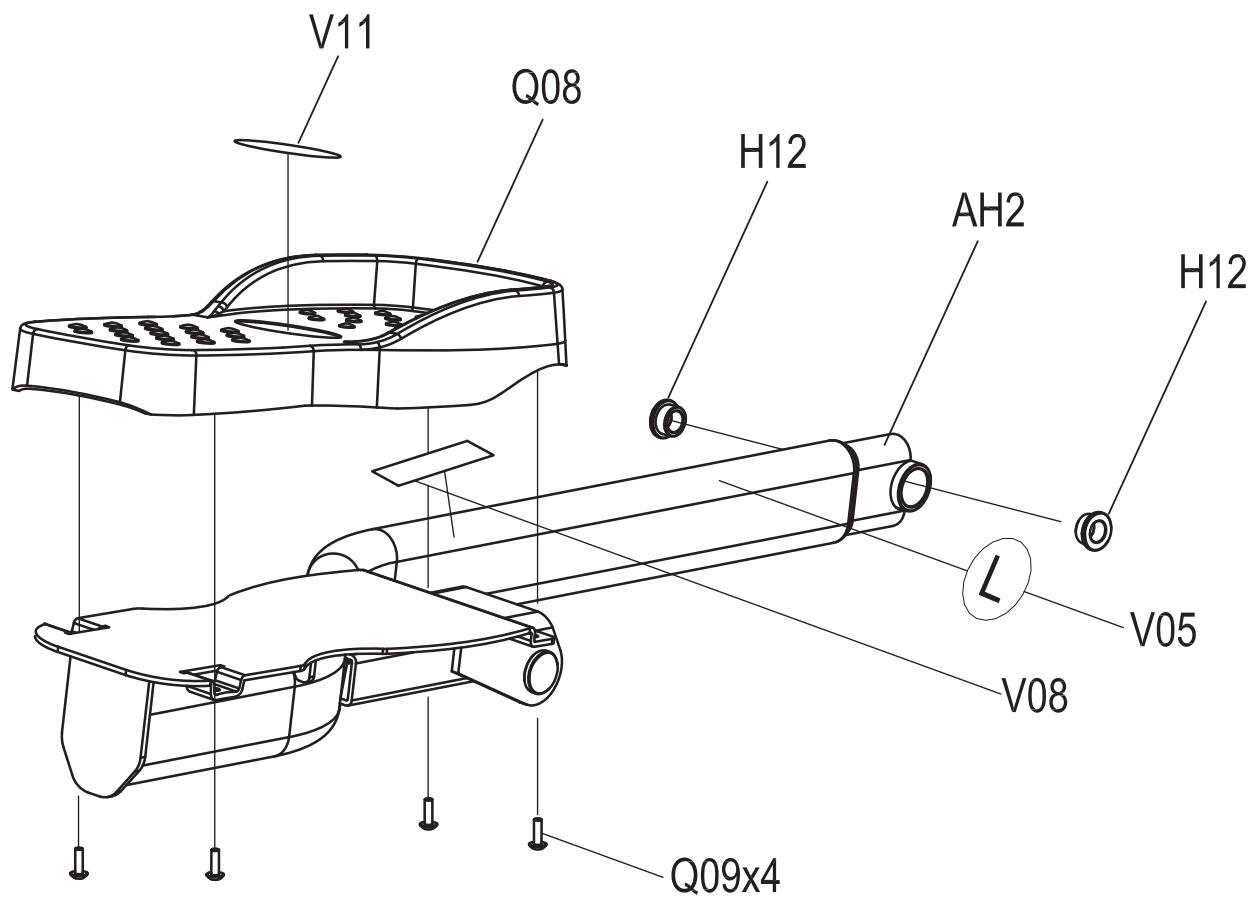
|            |                 |      |            |
|------------|-----------------|------|------------|
| DRAWING NO | EP571-A16       |      |            |
| PART NAME  | LD-Arm Rest Set |      |            |
| PART NO    | 1000233140      | REV  | A          |
| APPROVE    |                 | DATE | 2012.06.22 |



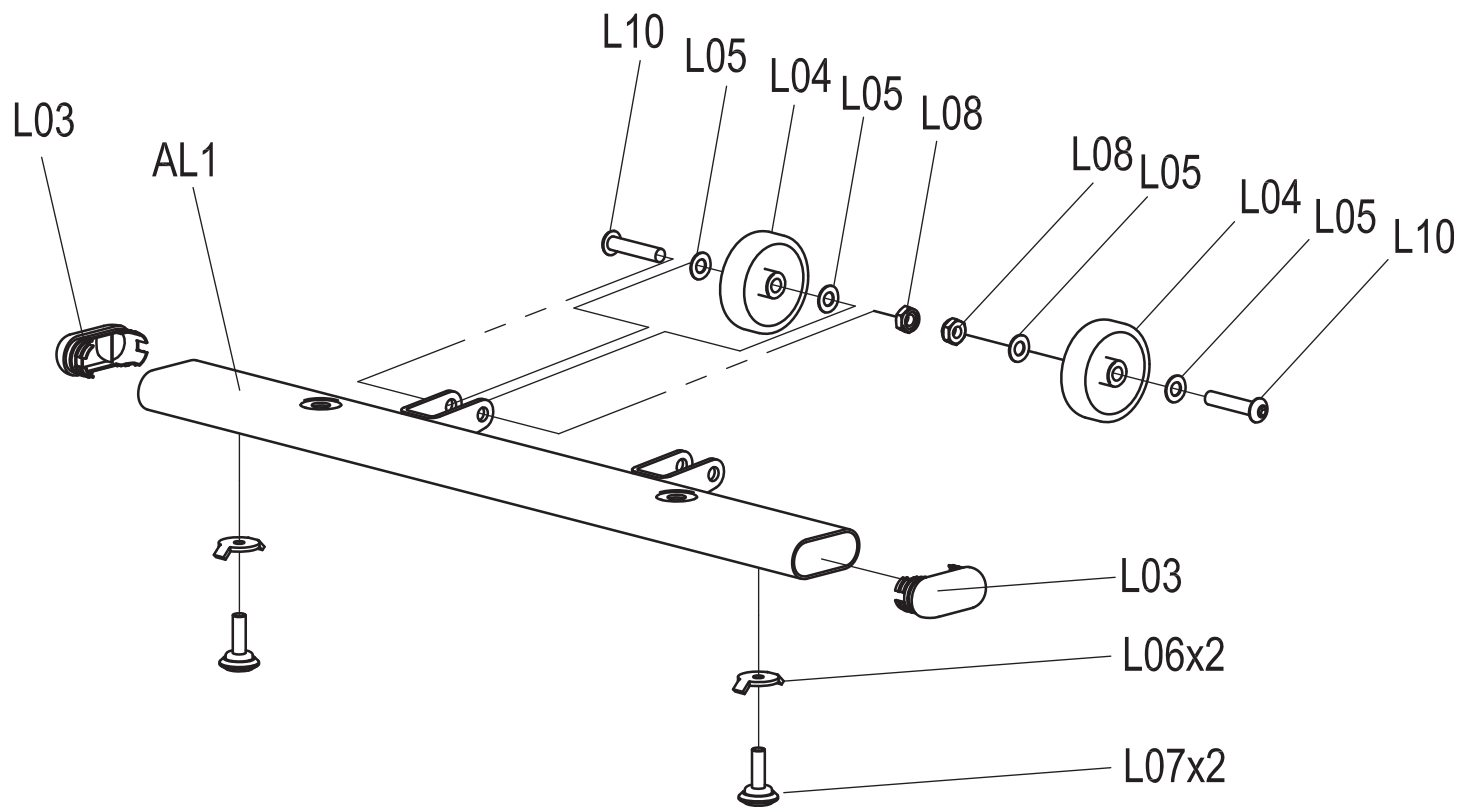
|            |                |      |            |
|------------|----------------|------|------------|
| DRAWING NO | EP571-A17      |      |            |
| PART NAME  | R-Link Arm Set |      |            |
| PART NO    | 1000233141     | REV  | A          |
| APPROVE    |                | DATE | 2012.06.22 |



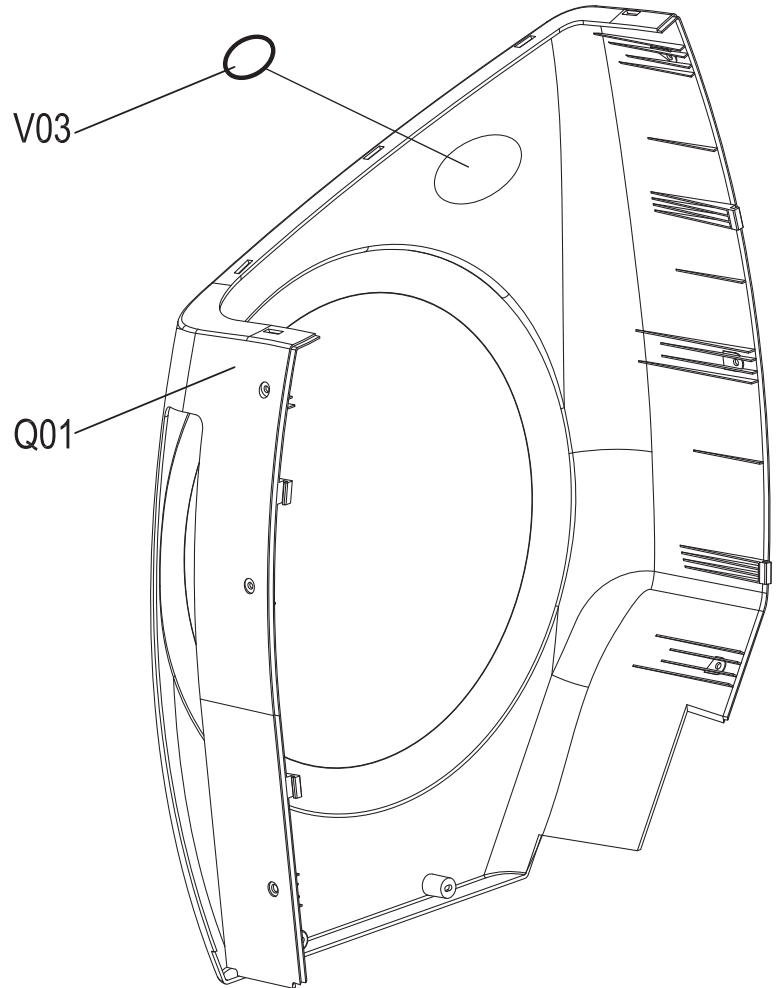
|            |                |      |            |
|------------|----------------|------|------------|
| DRAWING NO | EP571-A18      |      |            |
| PART NAME  | L-Link Arm Set |      |            |
| PART NO    | 1000233142     | REV  | A          |
| APPROVE    |                | DATE | 2012.06.22 |



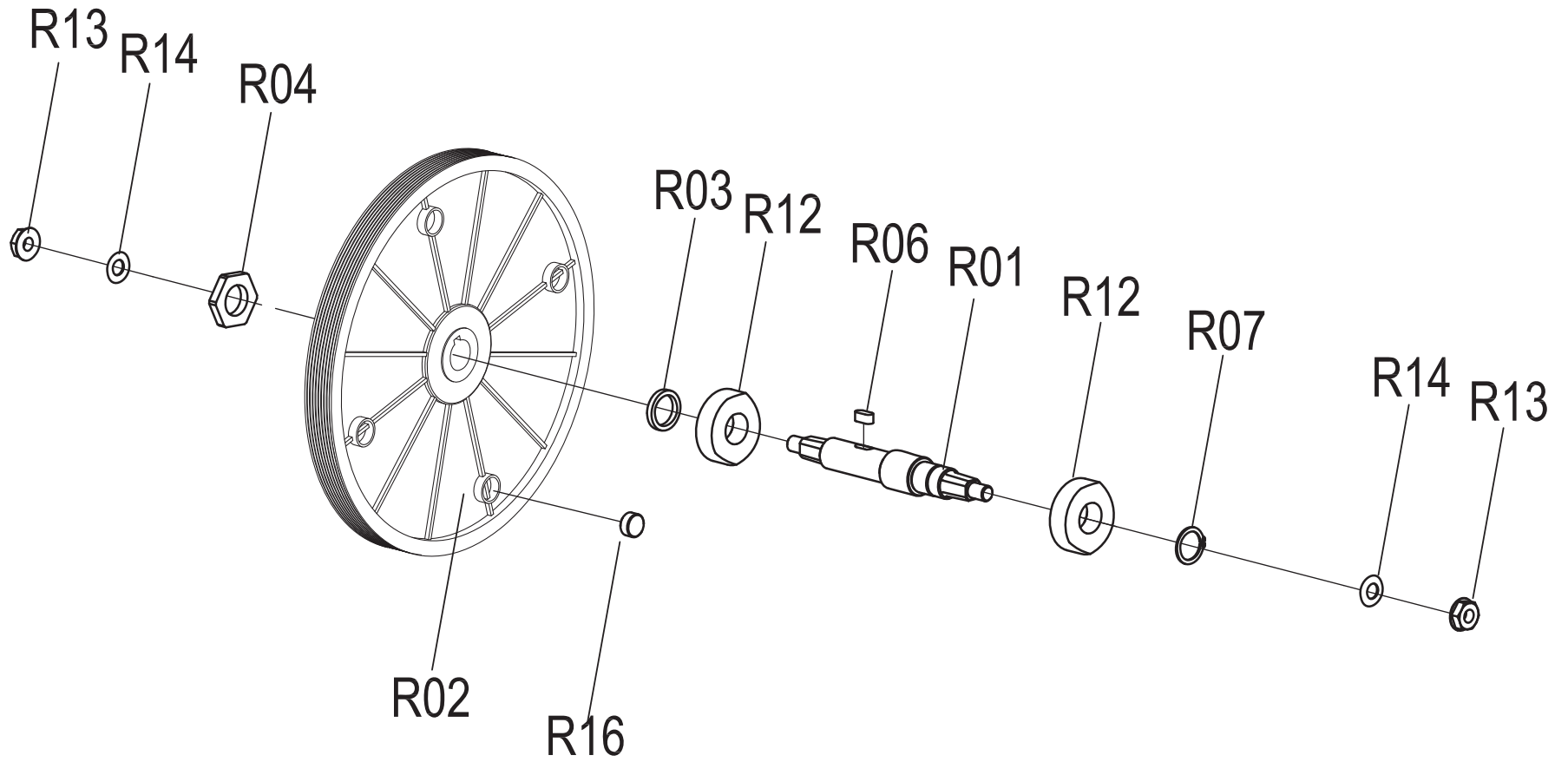
|            |                     |      |            |
|------------|---------------------|------|------------|
| DRAWING NO | EP571-A19           |      |            |
| PART NAME  | Stabilizer Tube Set |      |            |
| PART NO    | 1000233143          | REV  | A          |
| APPROVE    |                     | DATE | 2012.06.22 |



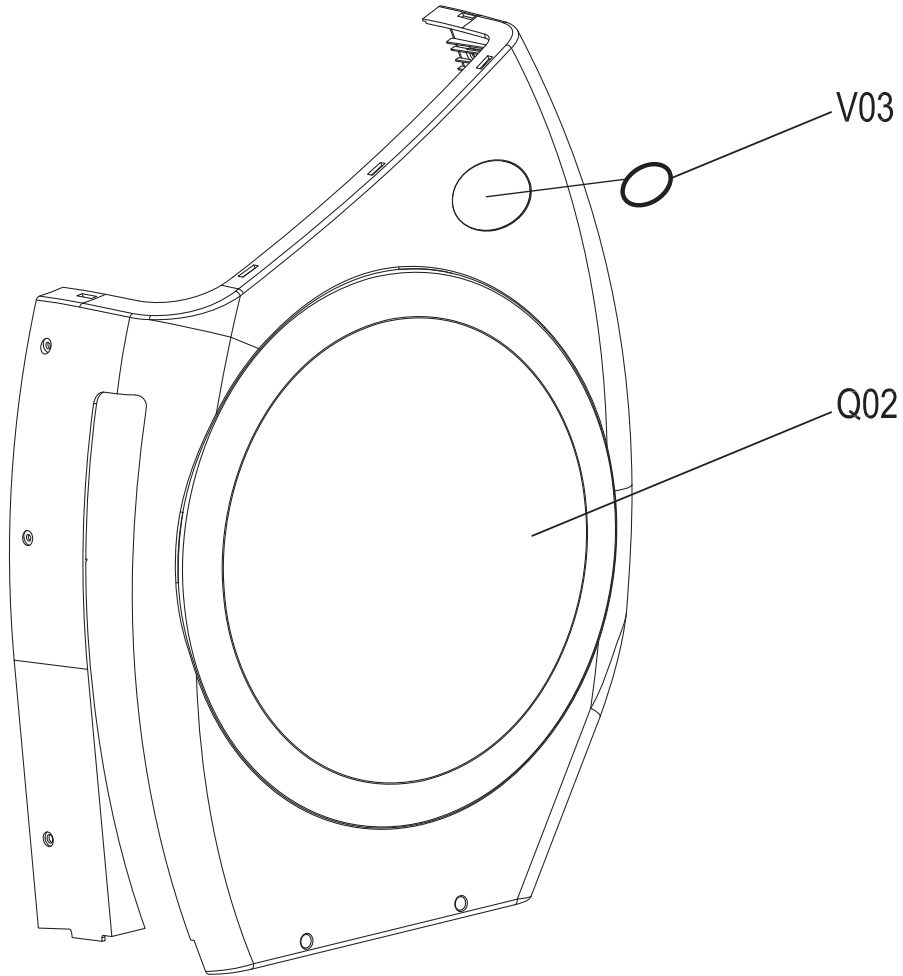
|            |              |      |            |
|------------|--------------|------|------------|
| DRAWING NO | EP571-A20    |      |            |
| PART NAME  | L-Side Cover |      |            |
| PART NO    | 1000233379   | REV  | A          |
| APPROVE    |              | DATE | 2012.06.22 |



|            |            |      |            |
|------------|------------|------|------------|
| DRAWING NO | EP571-A21  |      |            |
| PART NAME  | Drive set  |      |            |
| PART NO    | 1000233145 | REV  | A          |
| APPROVE    |            | DATE | 2012.06.22 |



|            |             |      |            |
|------------|-------------|------|------------|
| DRAWING NO | EP571-A22   |      |            |
| PART NAME  | R-SideCover |      |            |
| PART NO    | 1000233380  | REV  | A          |
| APPROVE    |             | DATE | 2012.06.22 |



|            |                  |      |            |
|------------|------------------|------|------------|
| DRAWING NO | EP571-A23        |      |            |
| PART NAME  | Upper-Side Cover |      |            |
| PART NO    | 1000233381       | REV  | A          |
| APPROVE    |                  | DATE | 2012.06.22 |

