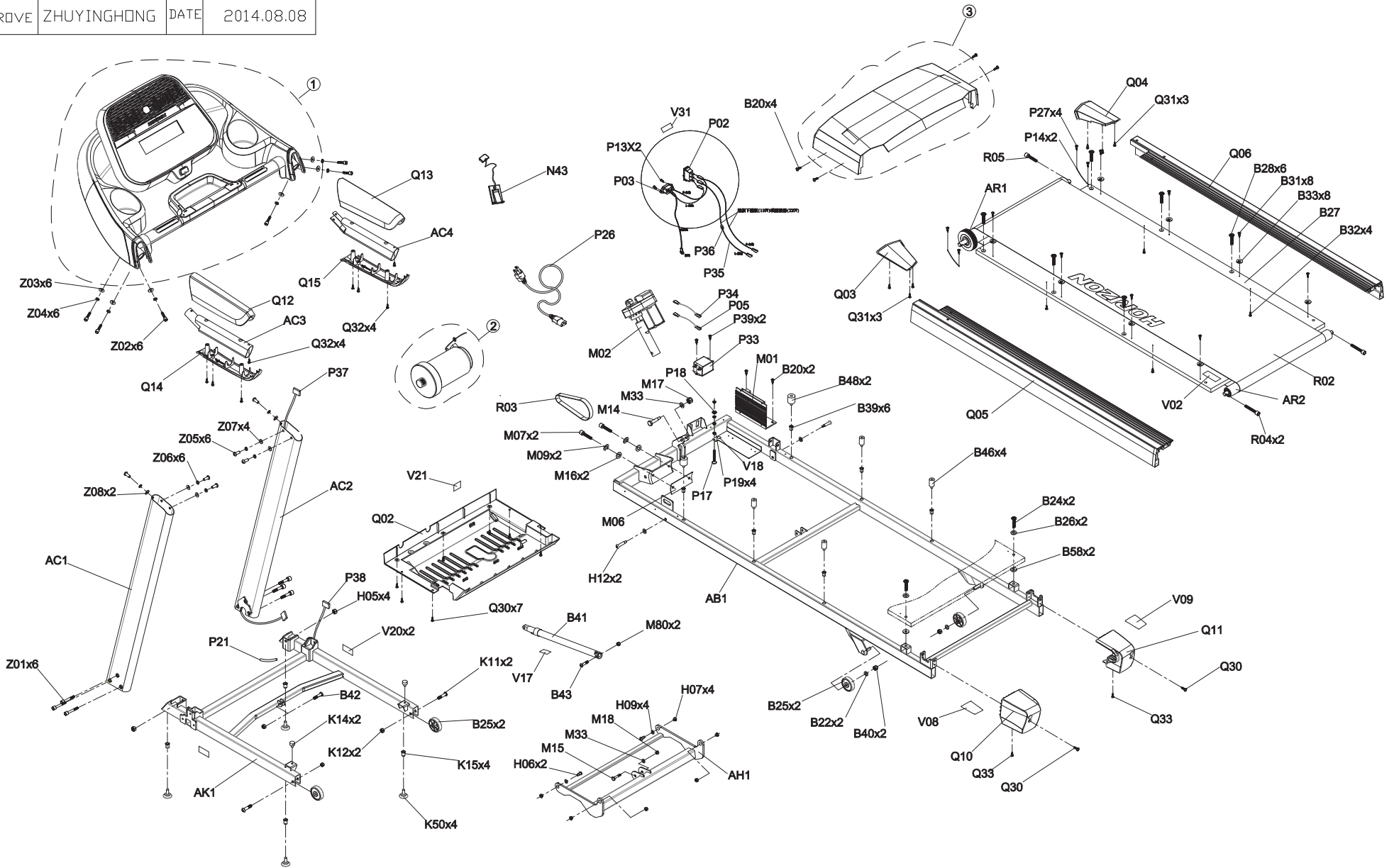
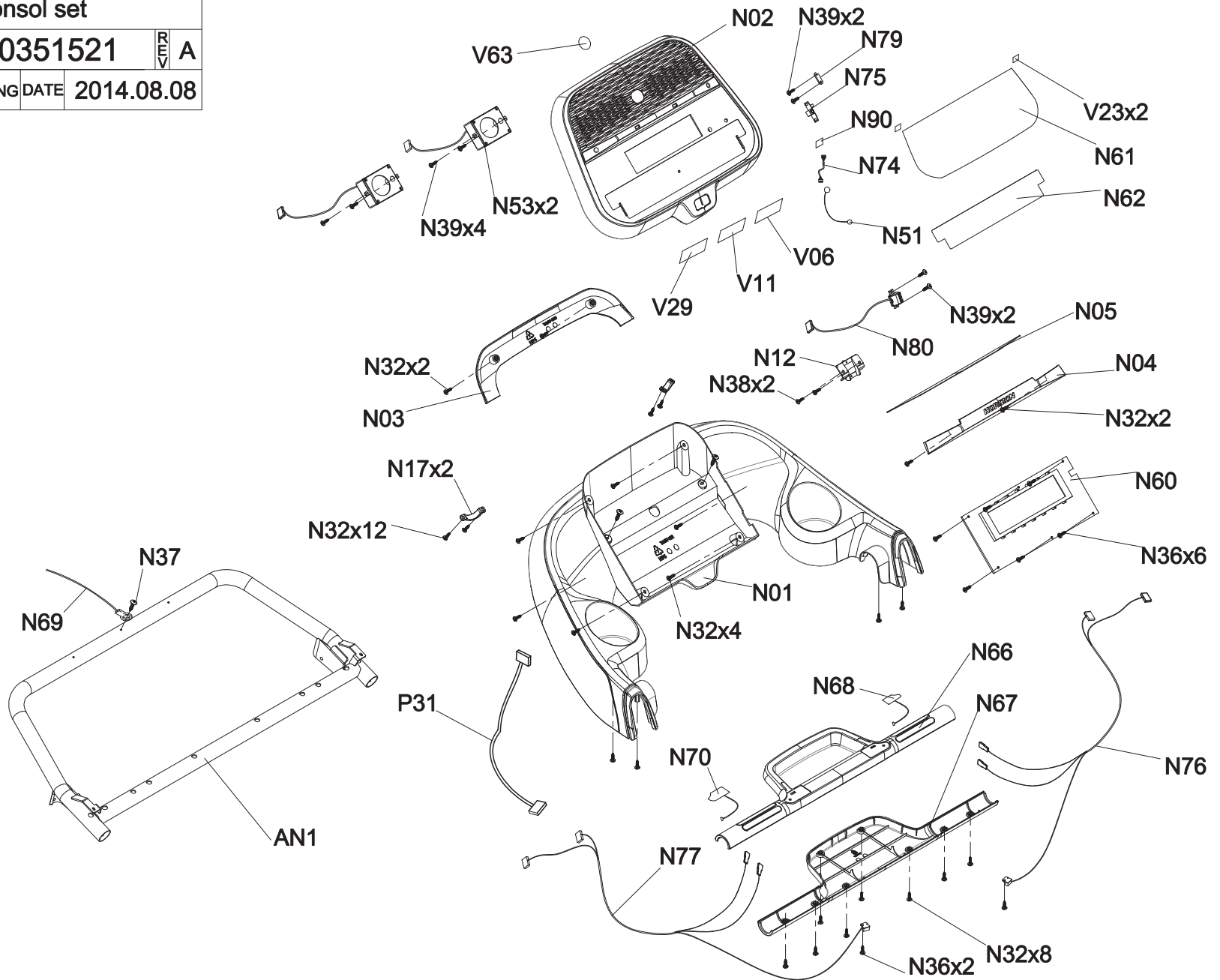


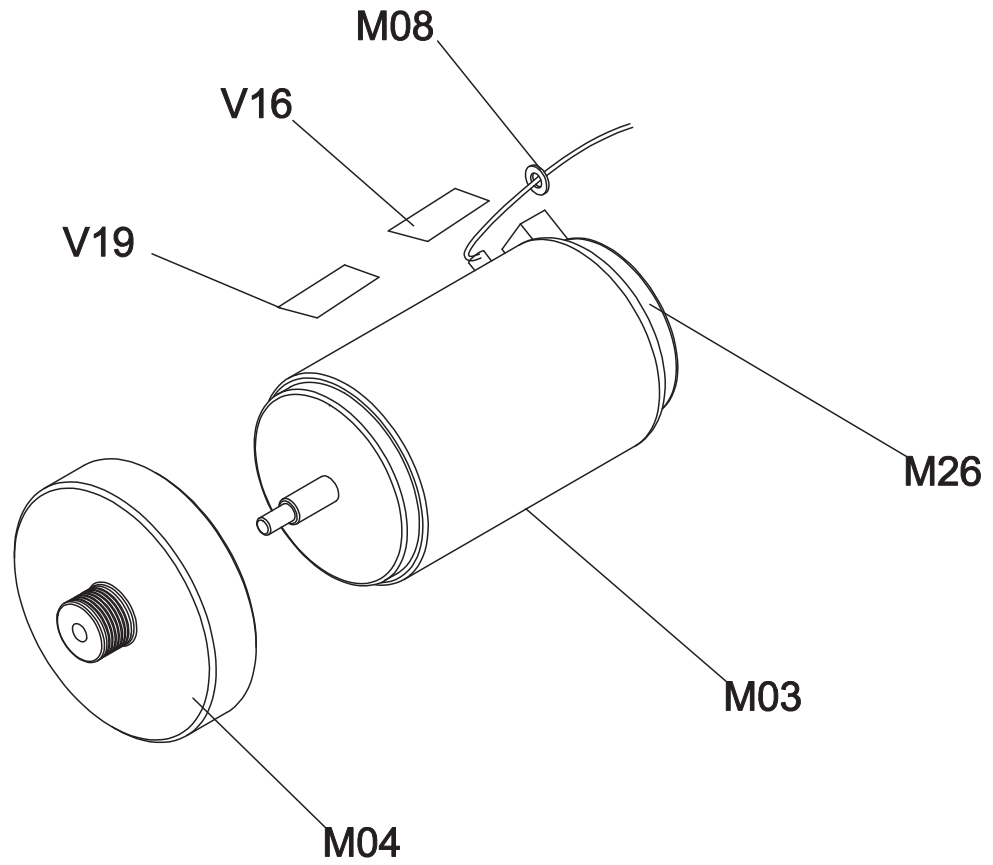
DRAWING NO	PTM687-1US		
PART NAME	Explosive Rendering		
PART NO	HTM1052-00	REV	A
APPROVE	ZHUINGHONG	DATE	2014.08.08



DRAWING NO	TM687-A14		
PART NAME	Consol set		
PART NO	1000351521	REV	A
APPROVE	ZHUYINGHONG	DATE	2014.08.08



DRAWING NO	TM687-A12		
PART NAME	Motor Set		
PART NO	1000351522	REV	A
APPROVE	zhuyinghong	DATE	2014.08.08



DRAWING NO	TM687-A17		
PART NAME	Motor cover set		
PART NO	1000329438	REV	A
APPROVE	zhuyinghong	DATE	2014.08.08

