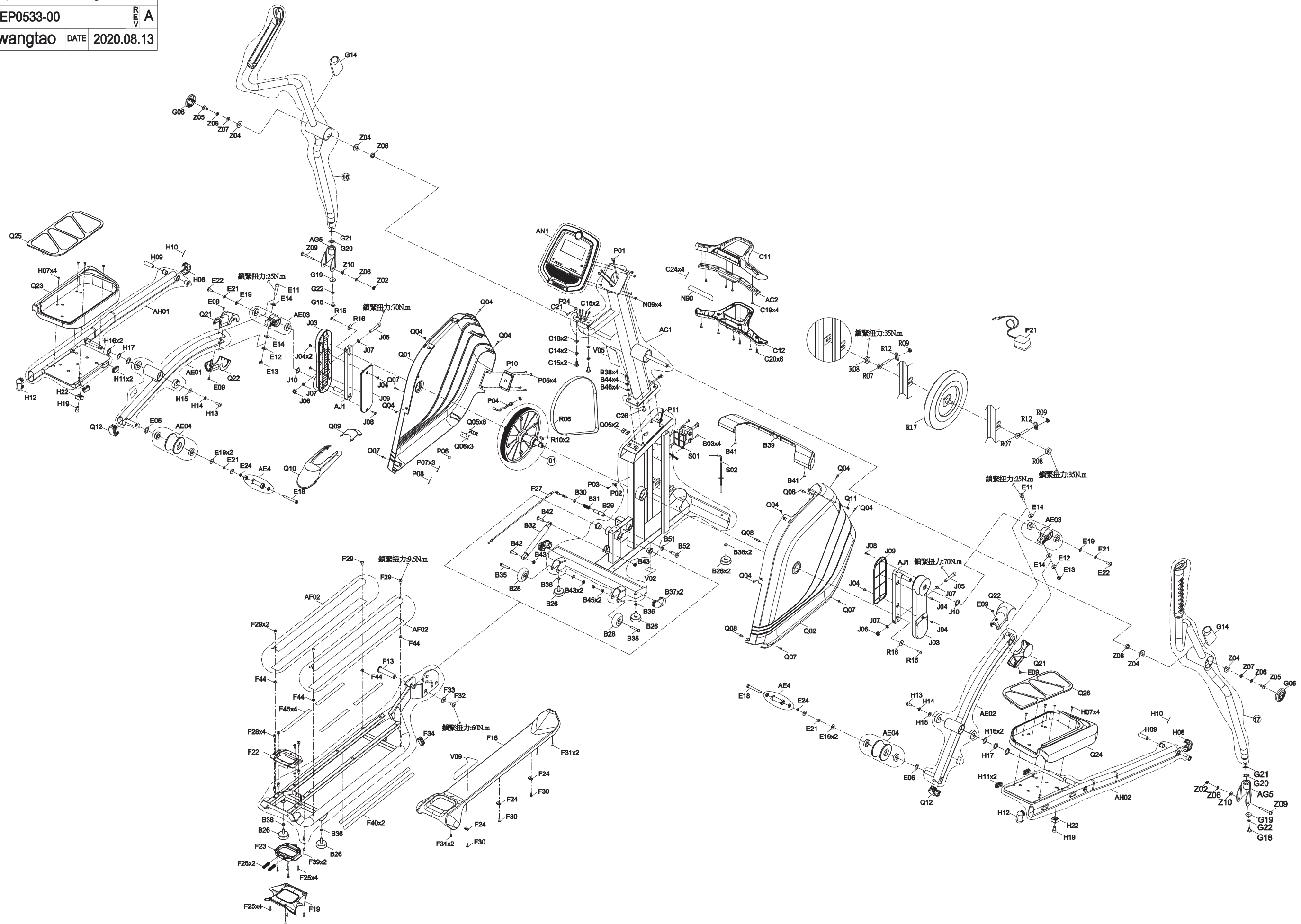
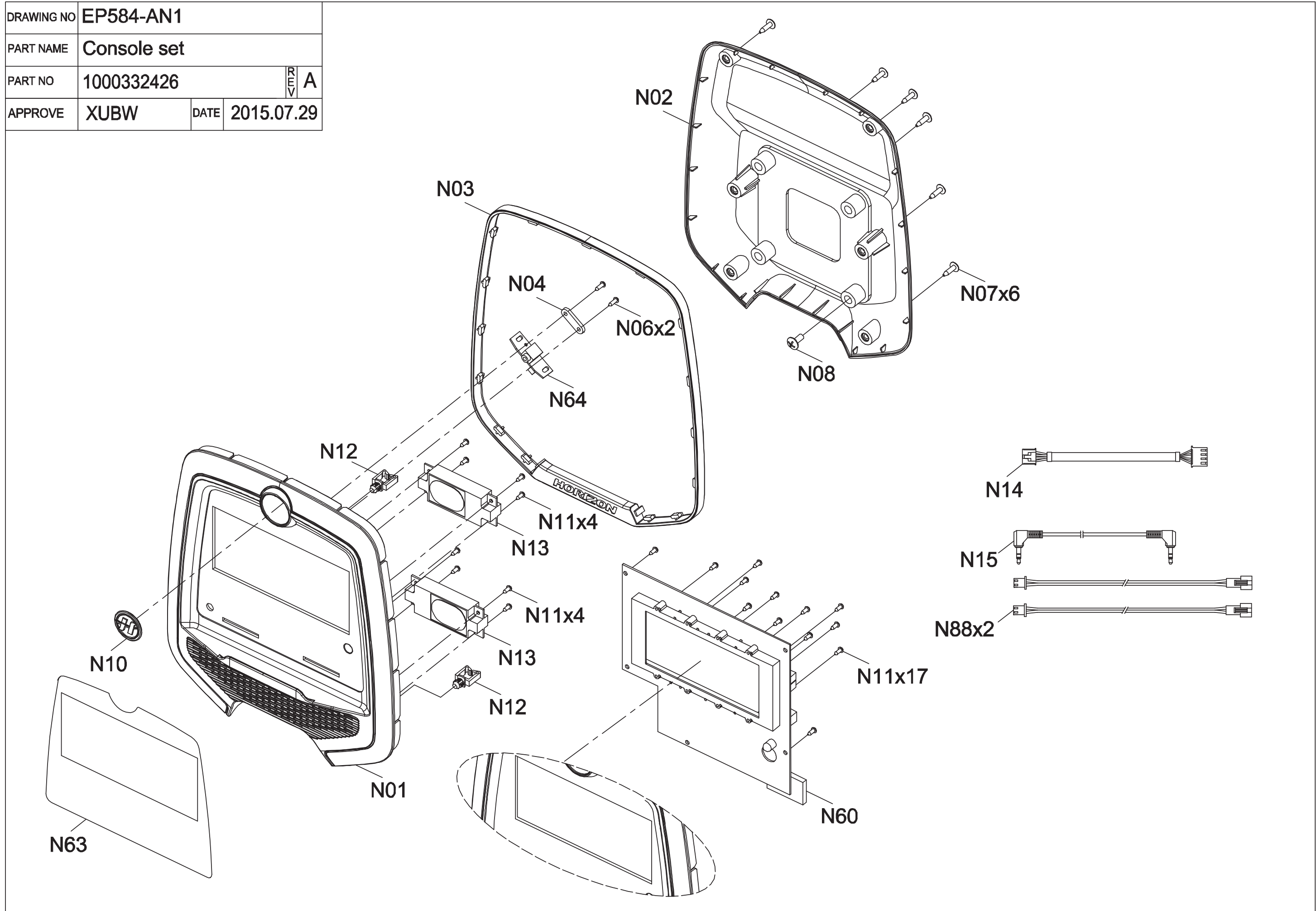


DRAWING NO	PEP584B-1US
PART NAME	Explosive Drawing
PART NO	HEP0533-00
APPROVE	wangtao
DATE	2020.08.13

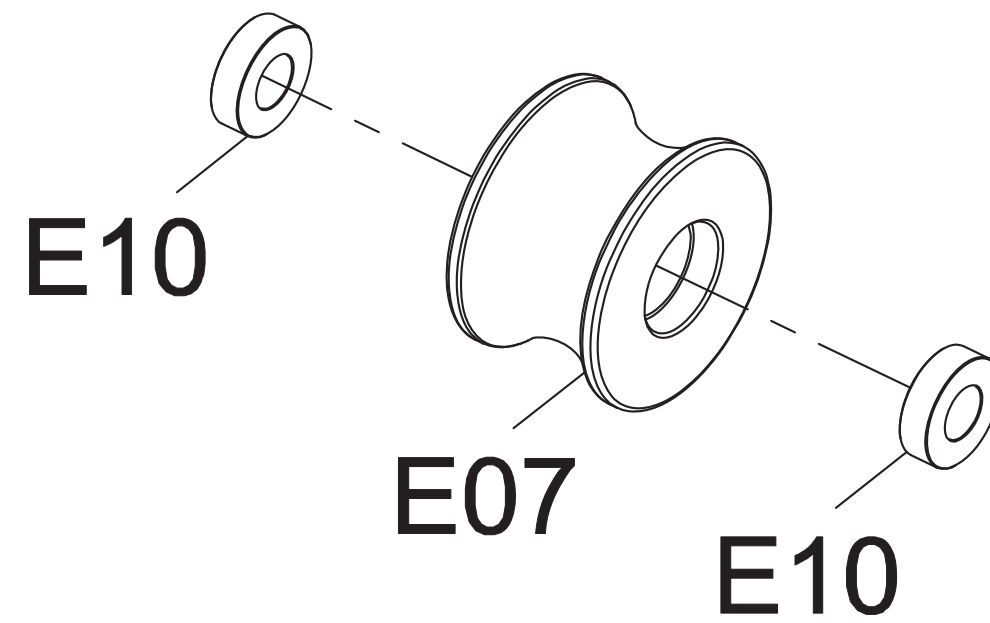
REV A



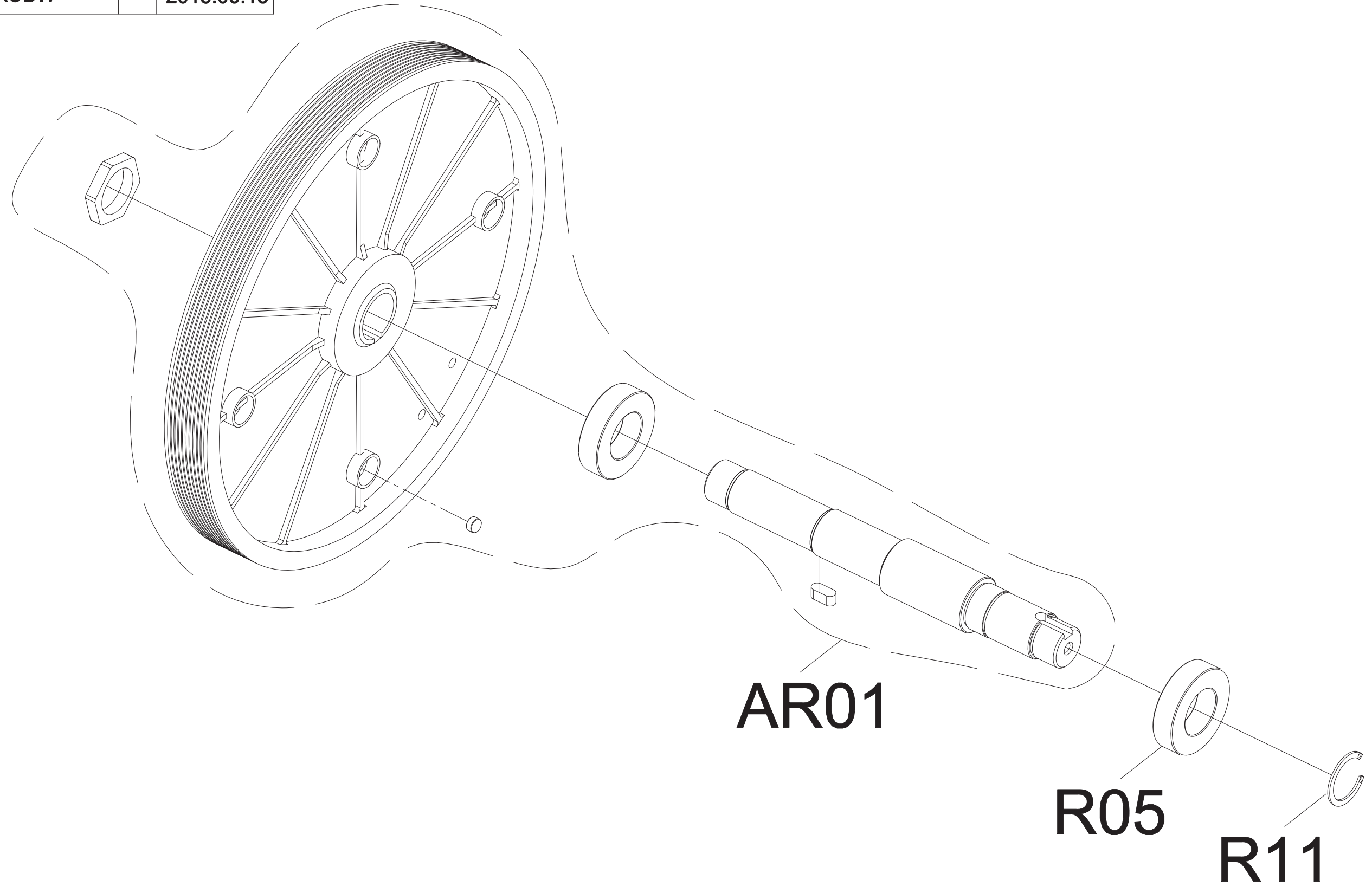
DRAWING NO	EP584-AN1		
PART NAME	Console set		
PART NO	1000332426	REV	A
APPROVE	XUBW	DATE	2015.07.29



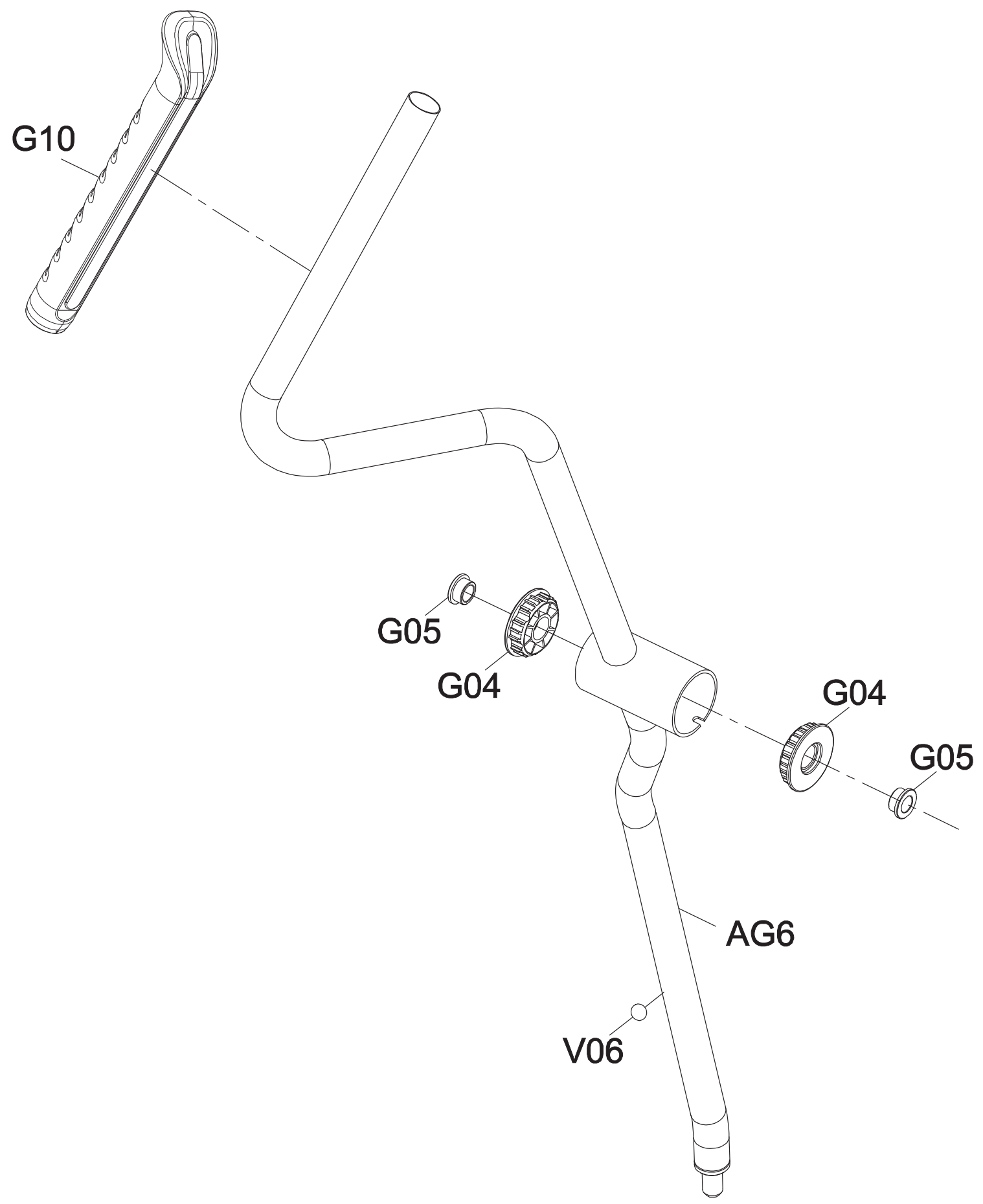
DRAWING NO	EP580-A17		
PART NAME	Roller Set		
PART NO	1000345309	REV	A
APPROVE	XUBW	DATE	2014.06.24



DRAWING NO	EP583B-A13		
PART NAME	Drive set		
PART NO	1000366297	REV	A
APPROVE	XUBW	DATE	2015.06.18



DRAWING NO	EP581B-SF16		
PART NAME	ARM REST SET;LEFT		
PART NO	1000437871	REV	A
APPROVE	LIUSHUO	DATE	2019.03.06



DRAWING NO	EP581B-SF17		
PART NAME	ARM REST SET;RIGHT		
PART NO	1000437872	REV	A
APPROVE	LIUSHUO	DATE	2019.03.06

