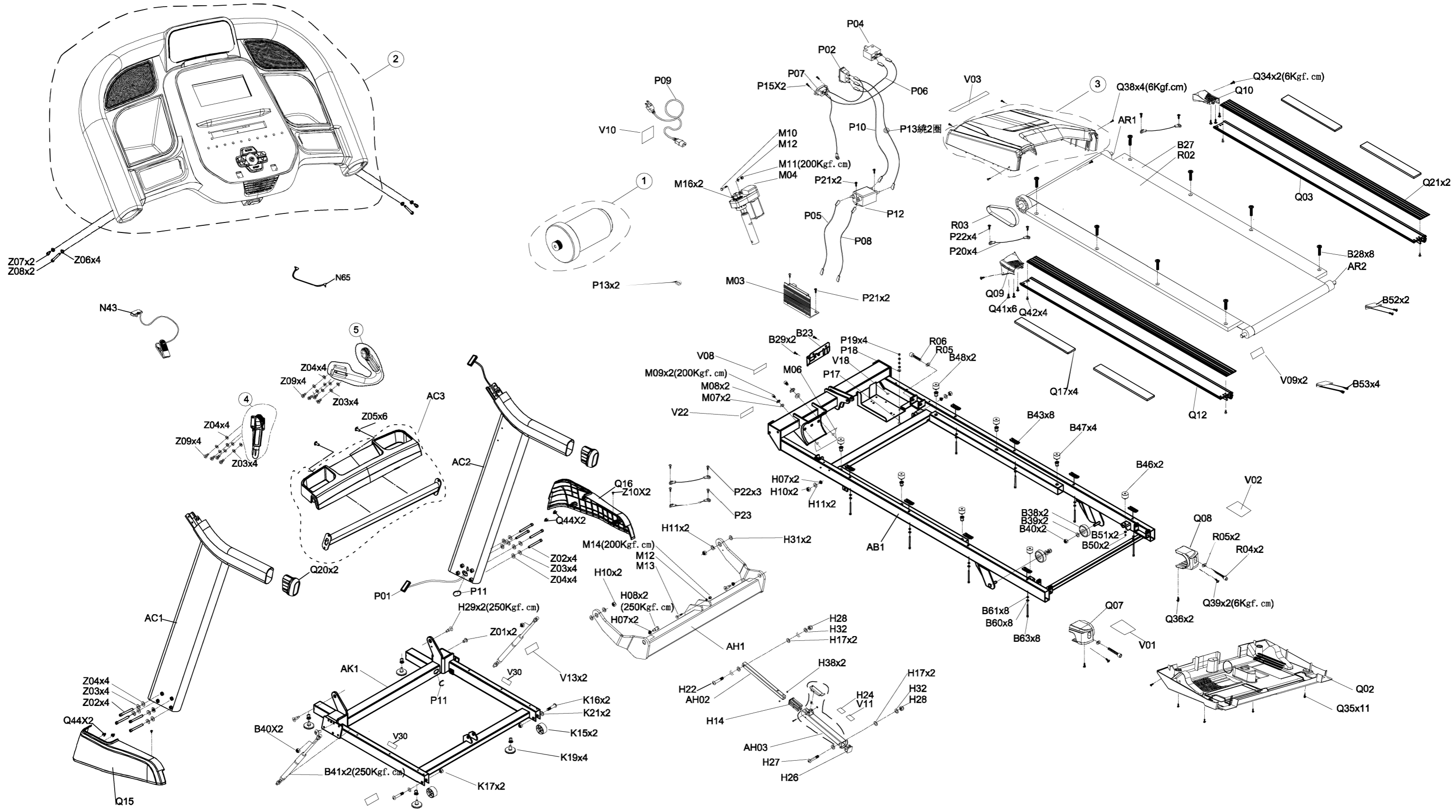
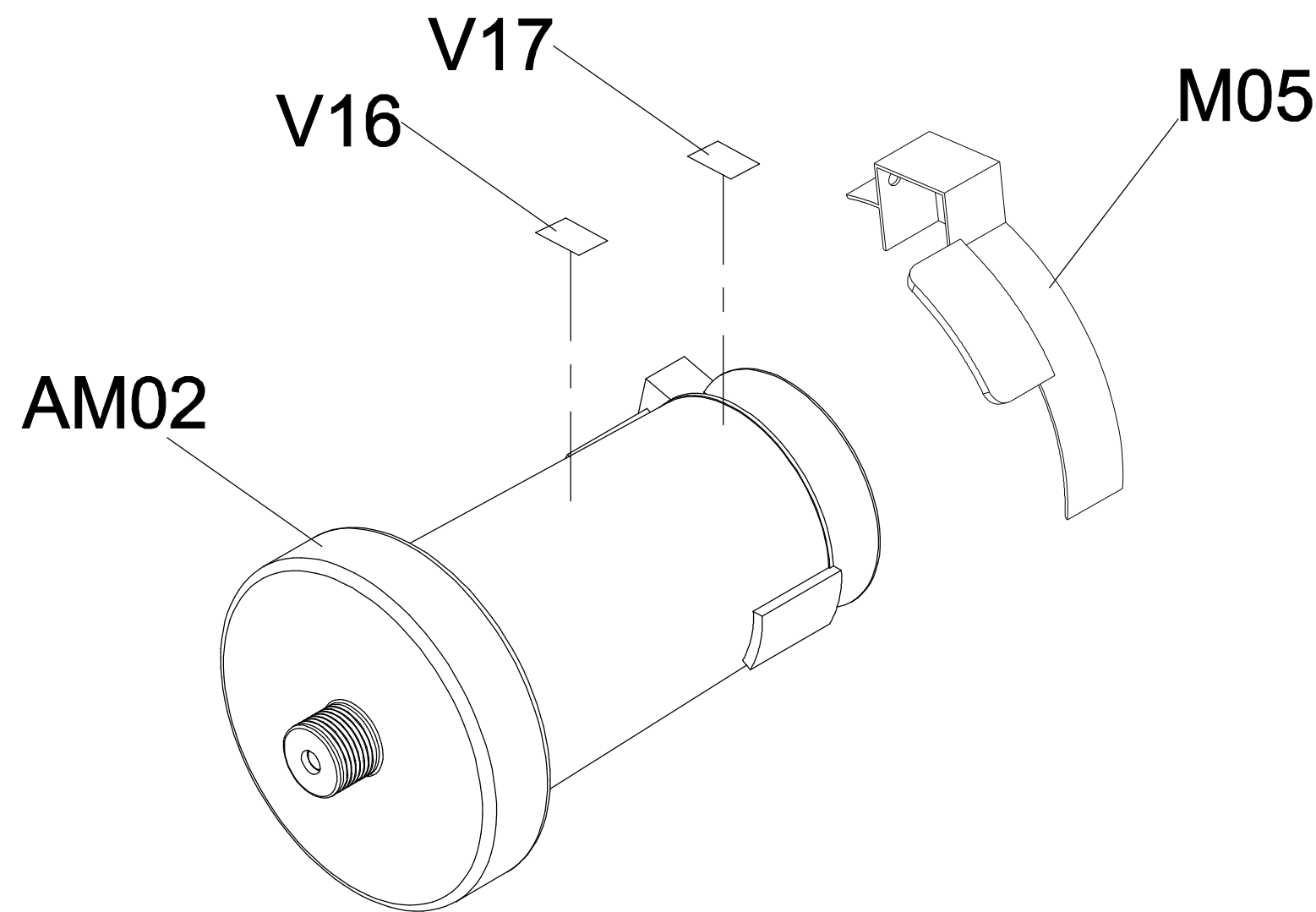


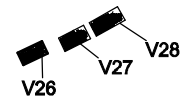
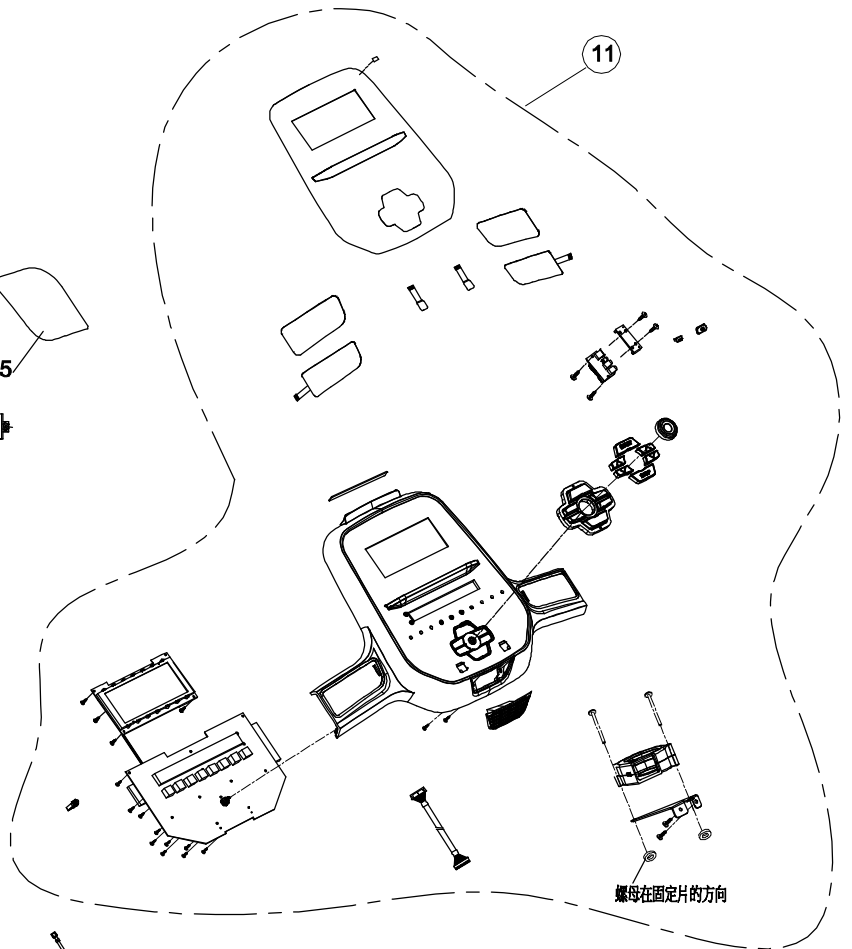
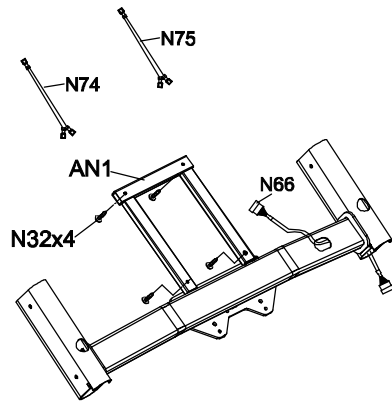
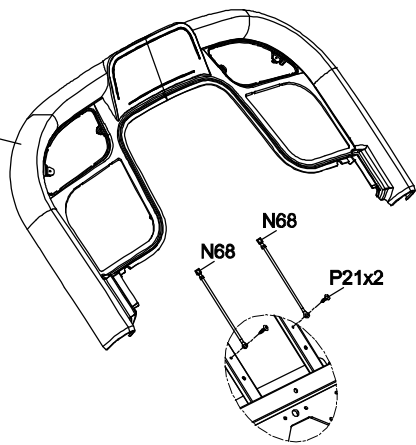
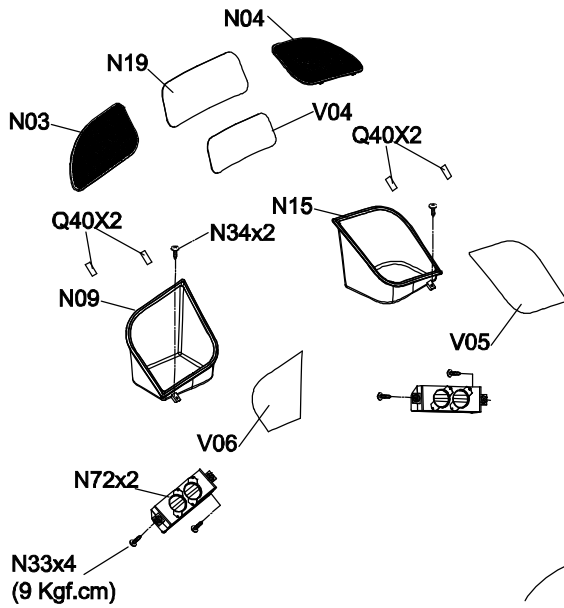
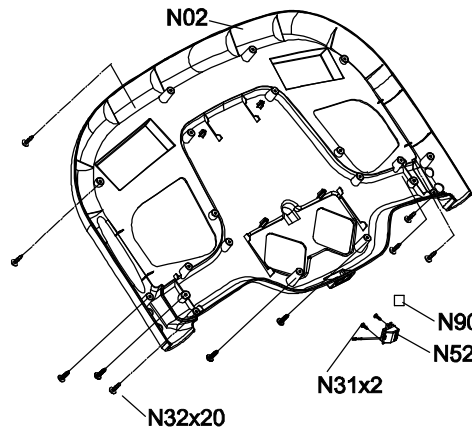
DRAWING NO	PTM758-1US		
PART NAME	EXPLODED DRAWING		
PART NO	HTM1265-00	REV	B
APPROVE	XUJIQIANG	DATE	2020.02.18



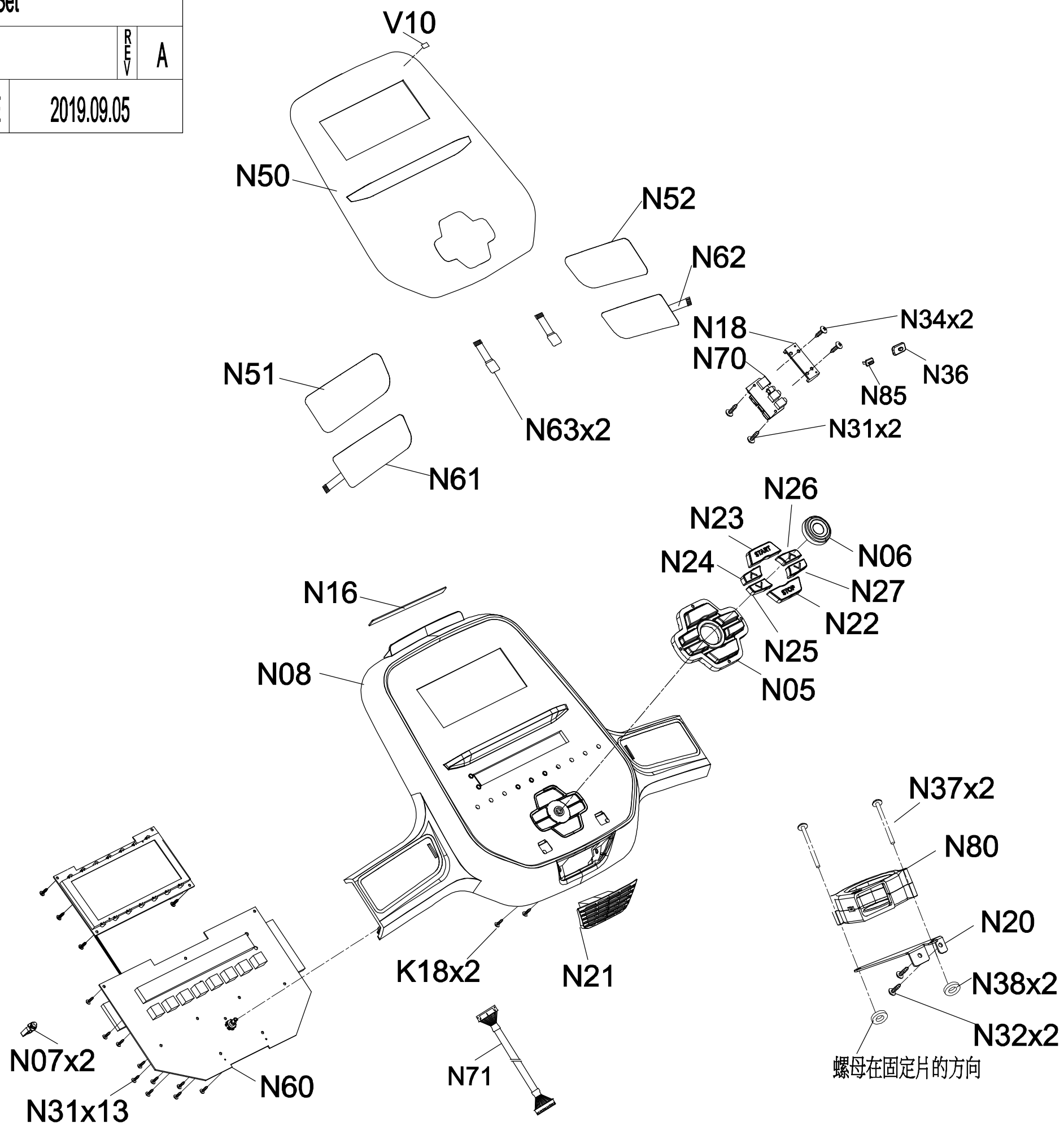
DRAWING NO	TM758-A12		
PART NAME	Moto Set;UP		
PART NO	1000444918	REV	A
APPROVE	LIXIANMING	DATE	2019.09.05



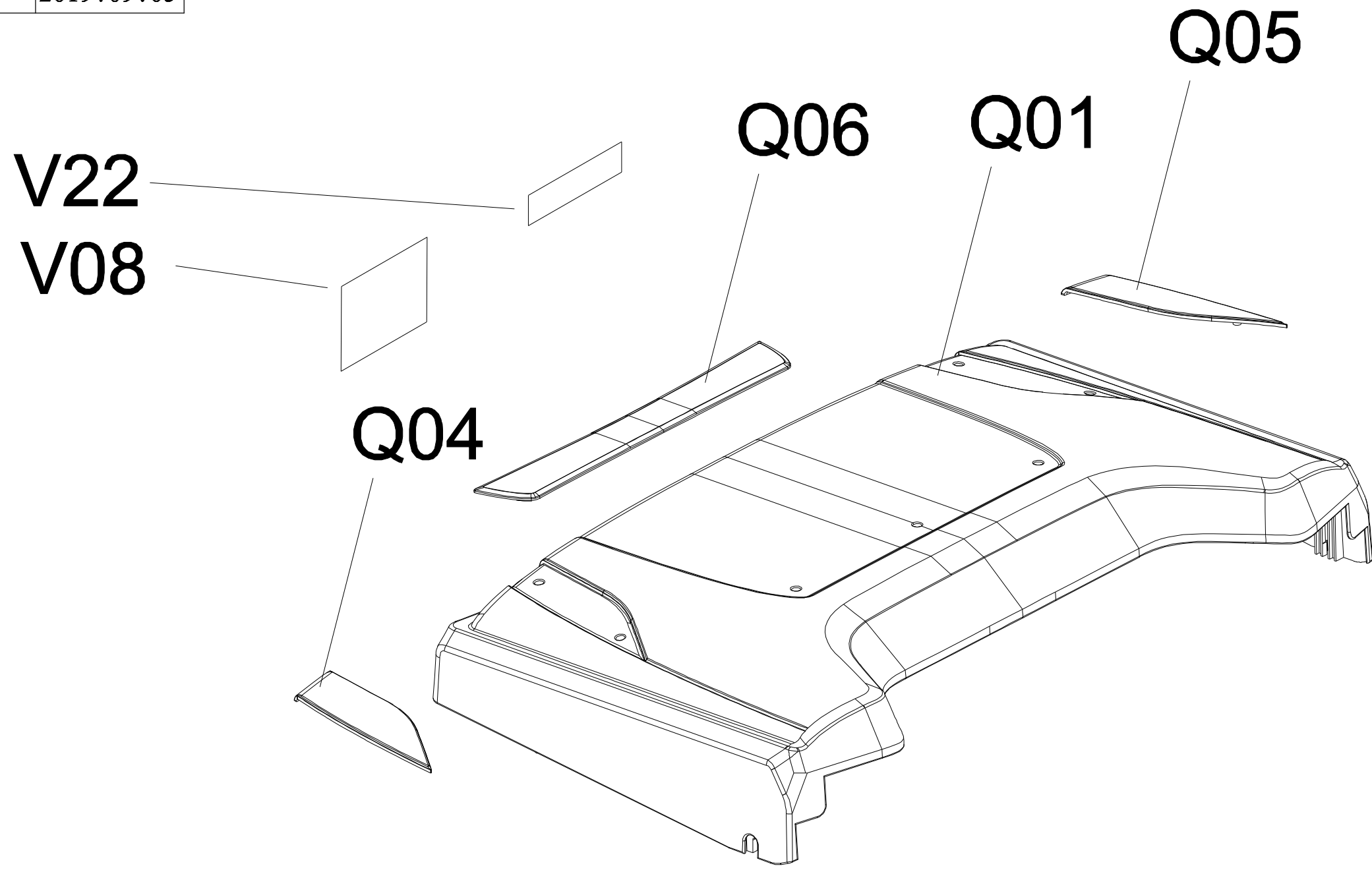
DRAWING NO	TM758-A11		
PART NAME	Console set		
PART NO	1000444920	REV	A
APPROVE	LIXIANMING	DATE	2020.02.20



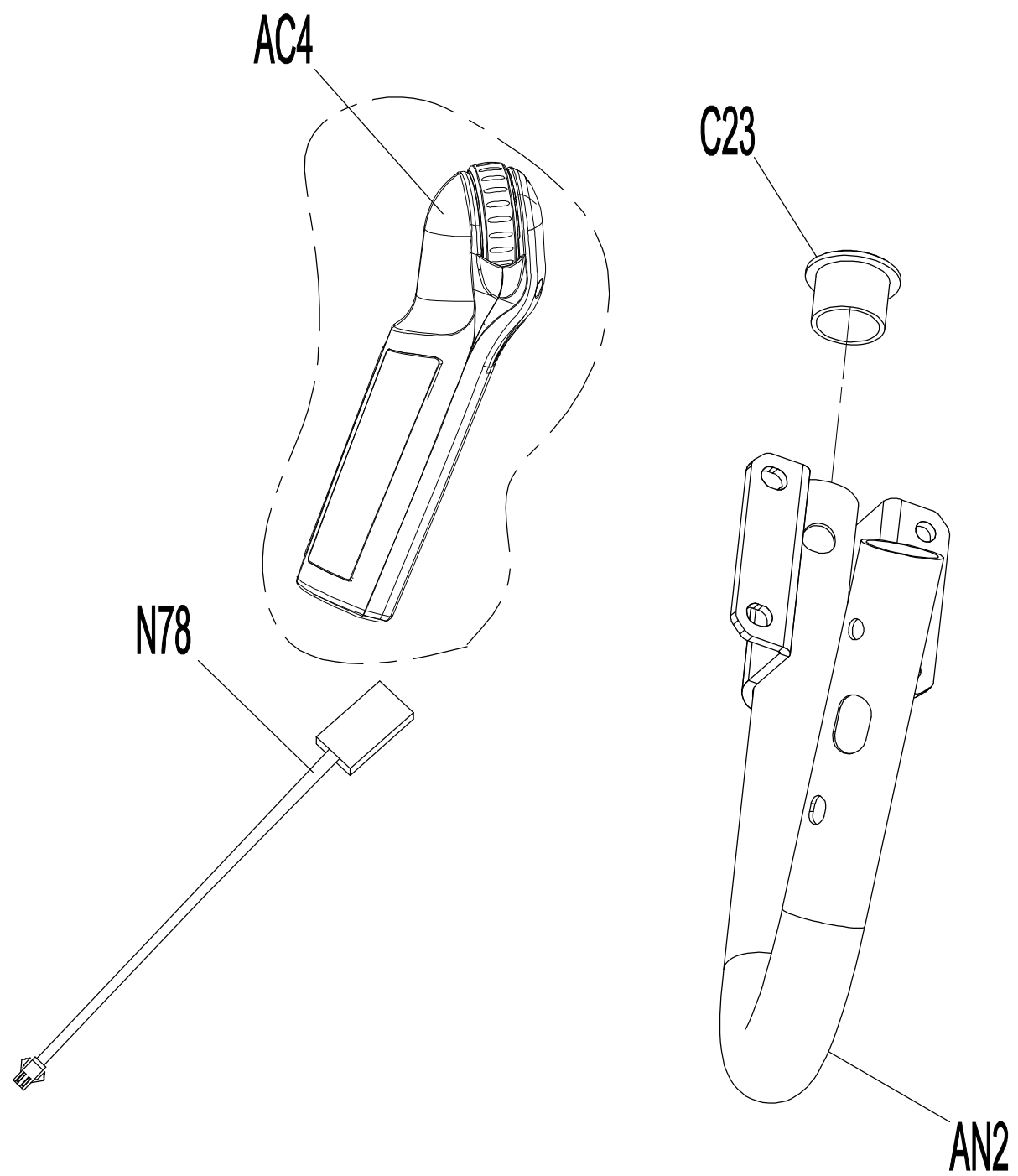
DRAWING NO	TM758-A22		
PART NAME	Console Overlay Set		
PART NO	1000444921	REV	A
APPROVE	LixIANMING	DATE	2019.09.05



DRAWING NO	TM758-A17		
PART NAME	Motor Cover Set		
PART NO	1000444922	REV	A
APPROVE	LIXIANMING	DATE	2019.09.05



DRAWING NO	TM758-A13		
PART NAME	Hand Pulse Grip Set;Semi-Assy;left		
PART NO	1000444923	REV	A
APPROVE	LIXIANMING	DATE	2019.09.05



DRAWING NO	TM758-A14		
PART NAME	Hand Pulse Grip Set;Semi-Assy;right		
PART NO	1000444925	REV	A
APPROVE	LIXIANMING	DATE	2019.09.05

