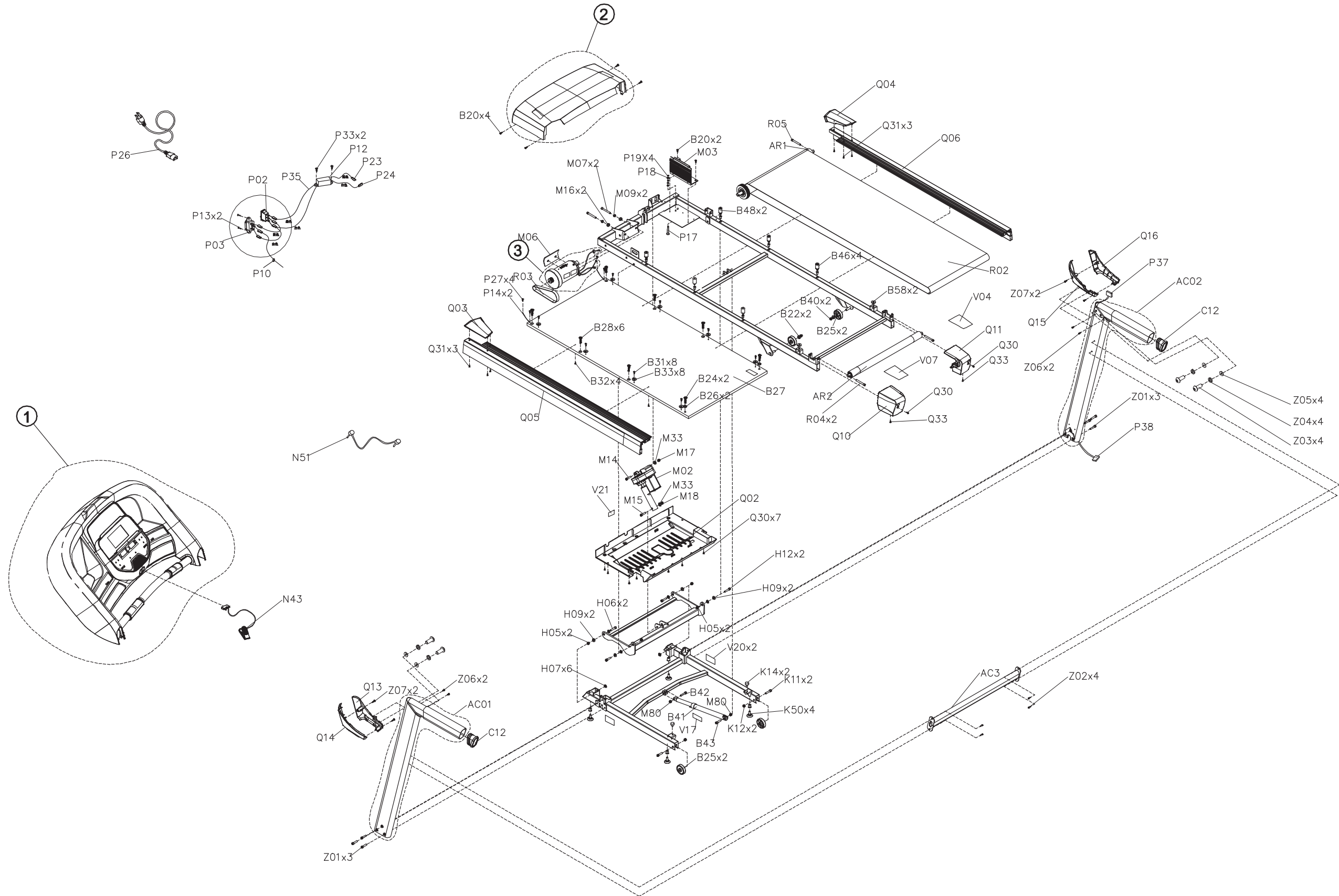
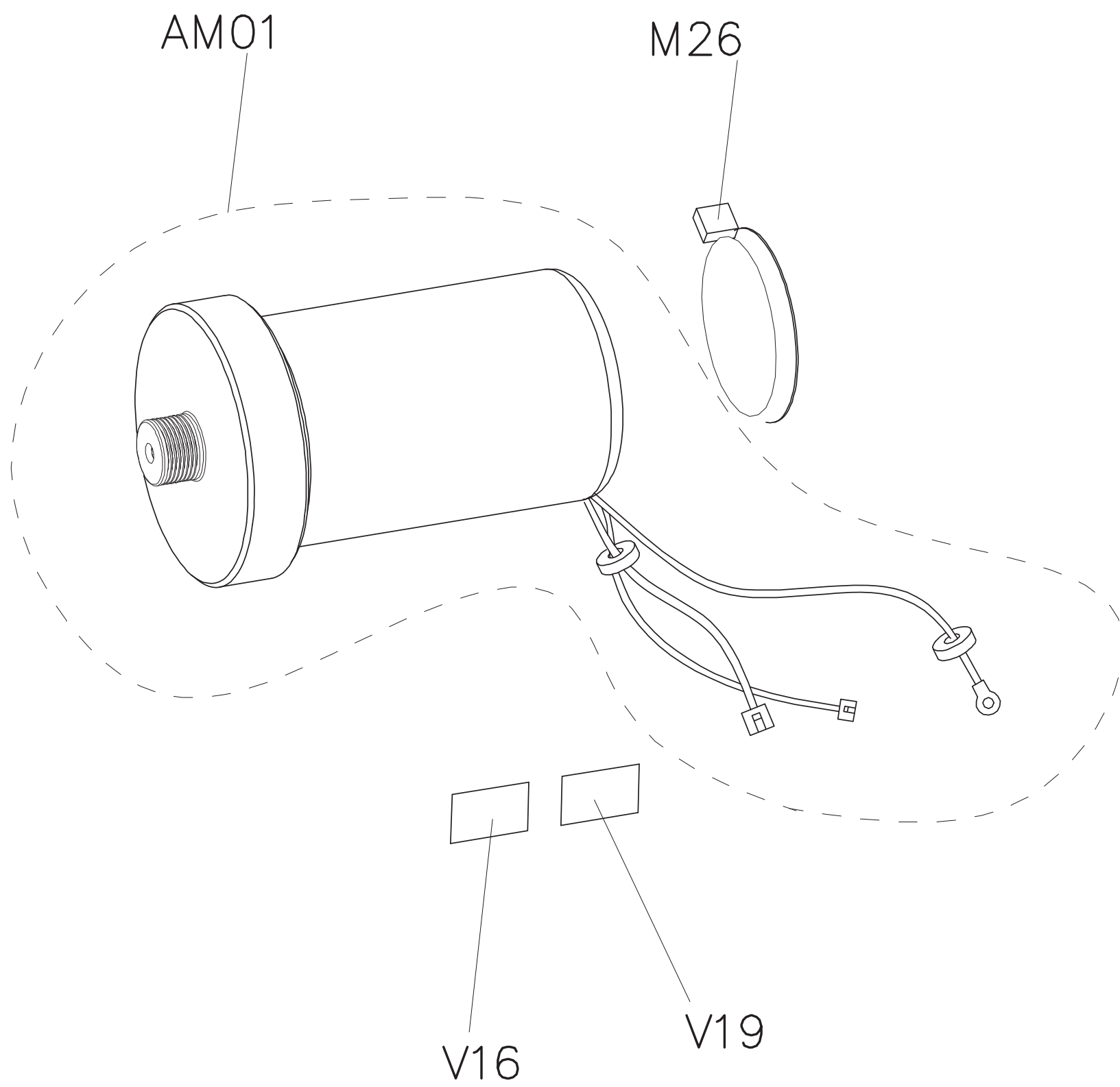


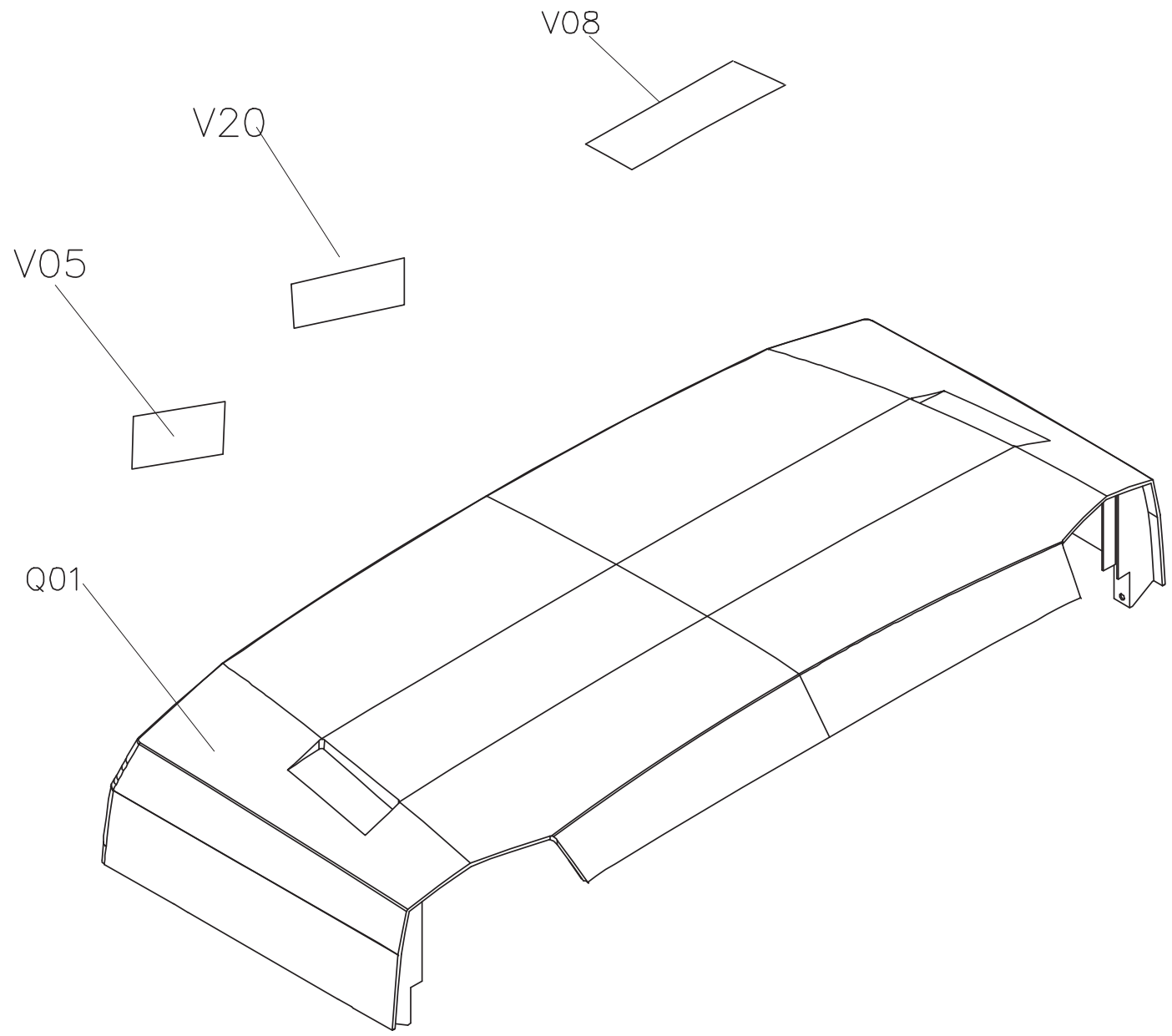
DRAWING NO	PTM726-1US		
PART NAME	Explosive Rendering		
PART NO	HTM1181-00	REV	A
APPROVE	Weber	DATE	2017.12.11




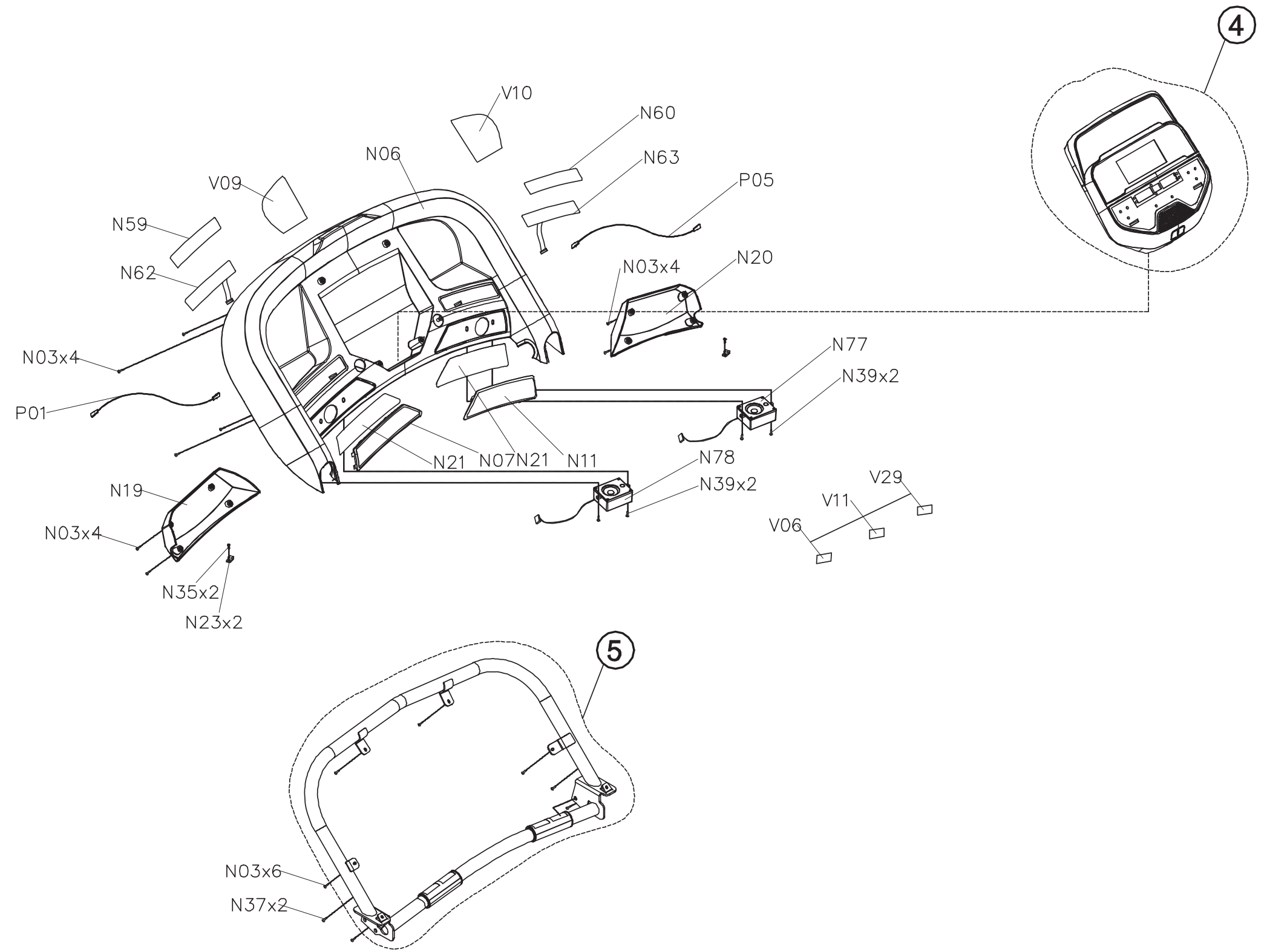
DRAWING NO	TM726-A12		
PART NAME	Motor		
PART NO	1000418970	REV	A
APPROVE	Weber	DATE	2017.12.11



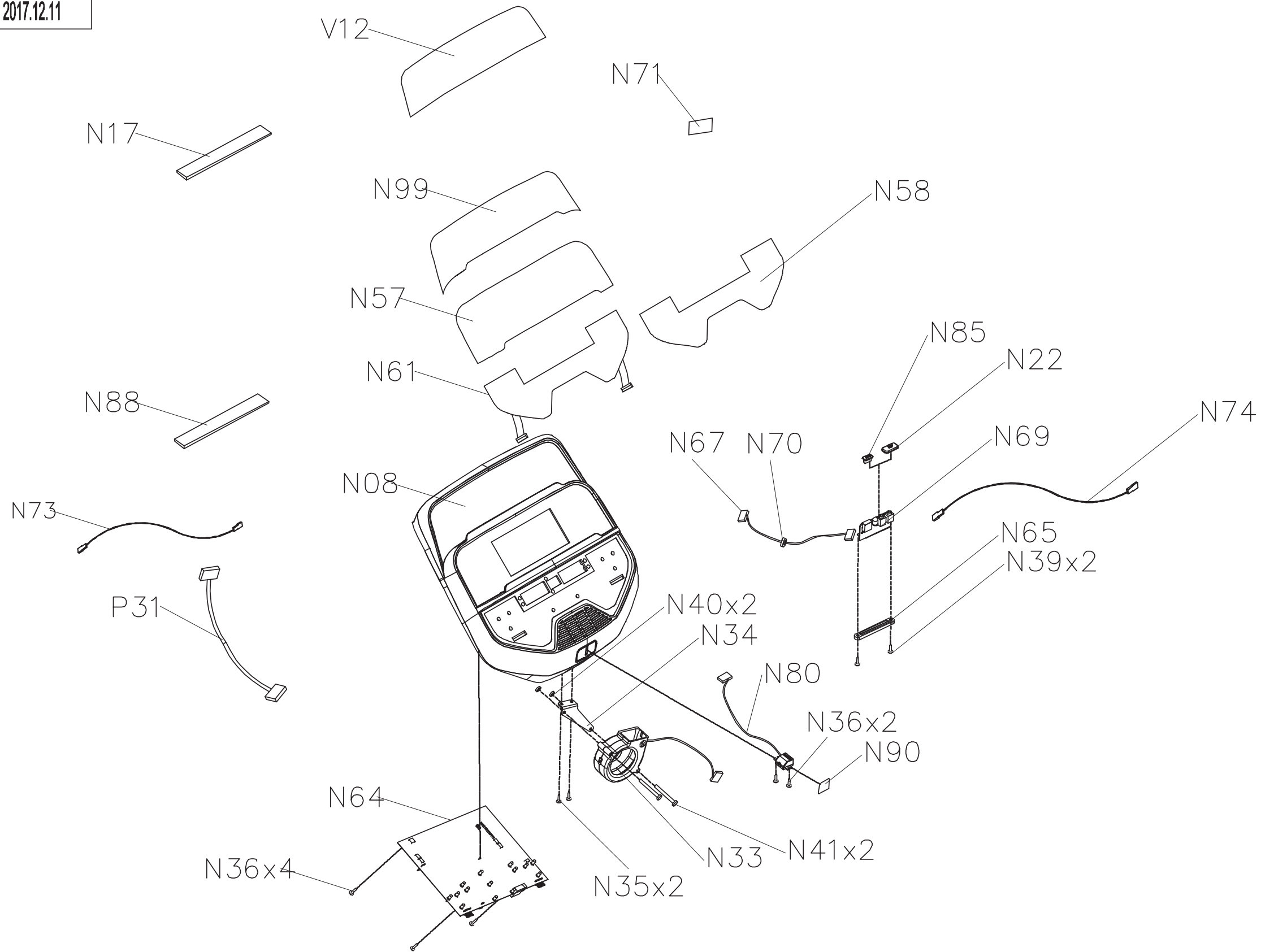
DRAWING NO	TM726-A15		
PART NAME	Cap Motor		
PART NO	1000418972	REV	A
APPROVE	Weber	DATE	2017.12.11



DRAWING NO	TM726-A13		
PART NAME	Console set		
PART NO	1000418973		B
APPROVE	Weber	DATE	2017.12.11



DRAWING NO	TM726-A14		
PART NAME	Console Set UP		
PART NO	1000418974	REV	A
APPROVE	Weber	DATE	2017.12.11



DRAWING NO	TM726-A16		
PART NAME	Console Base Set		
PART NO	1000418975	REV	A
APPROVE	Weber	DATE	2017.12.11

