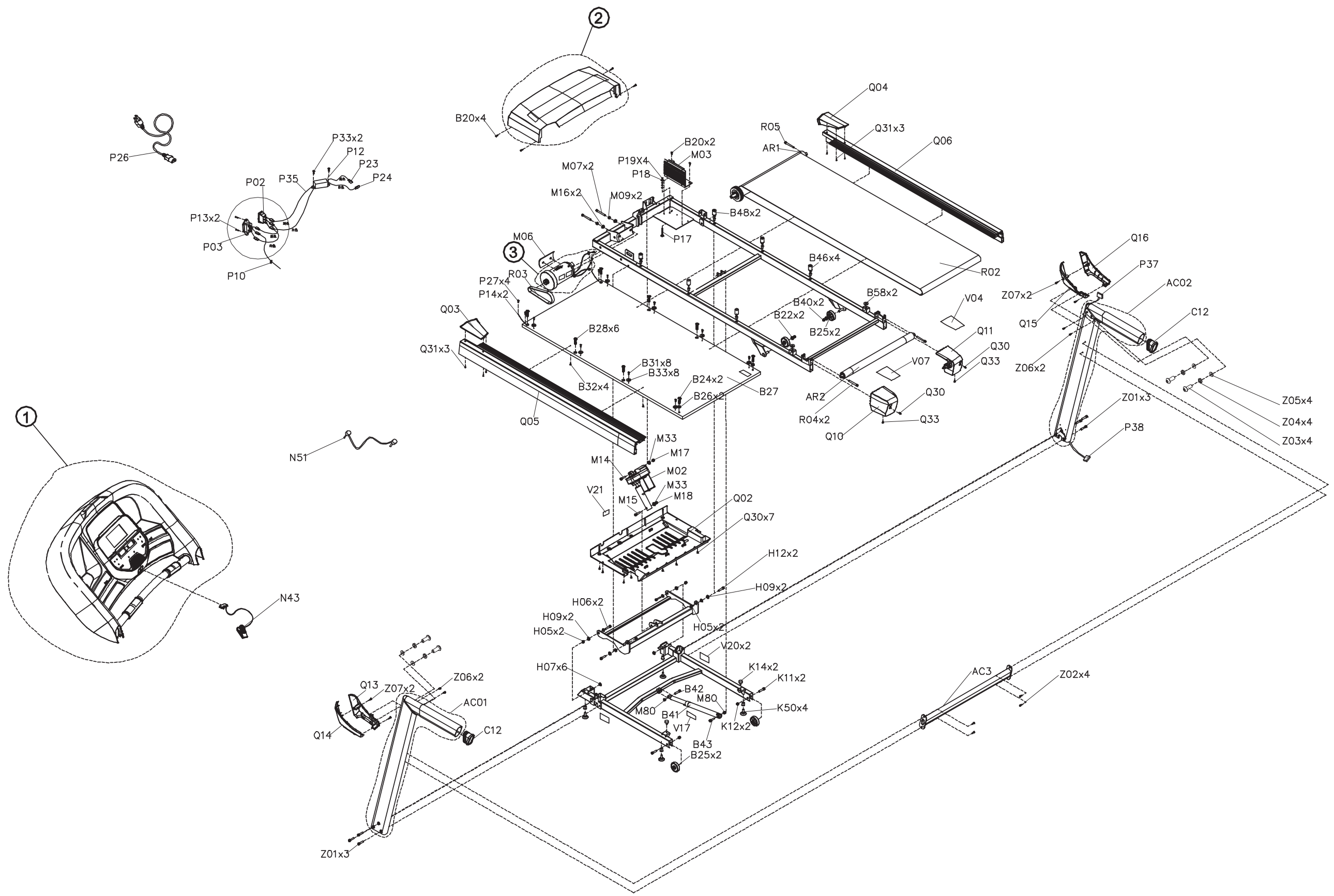
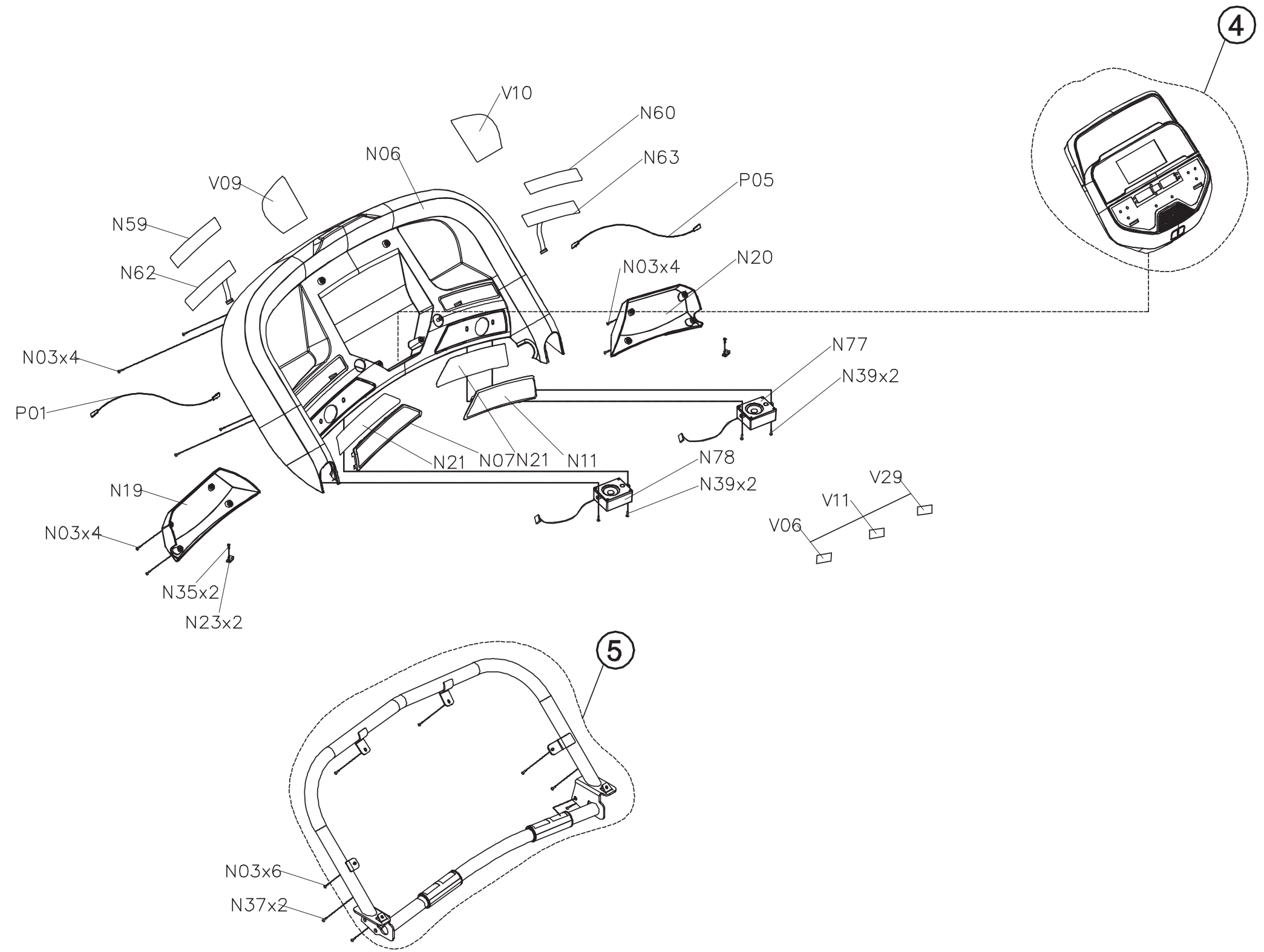


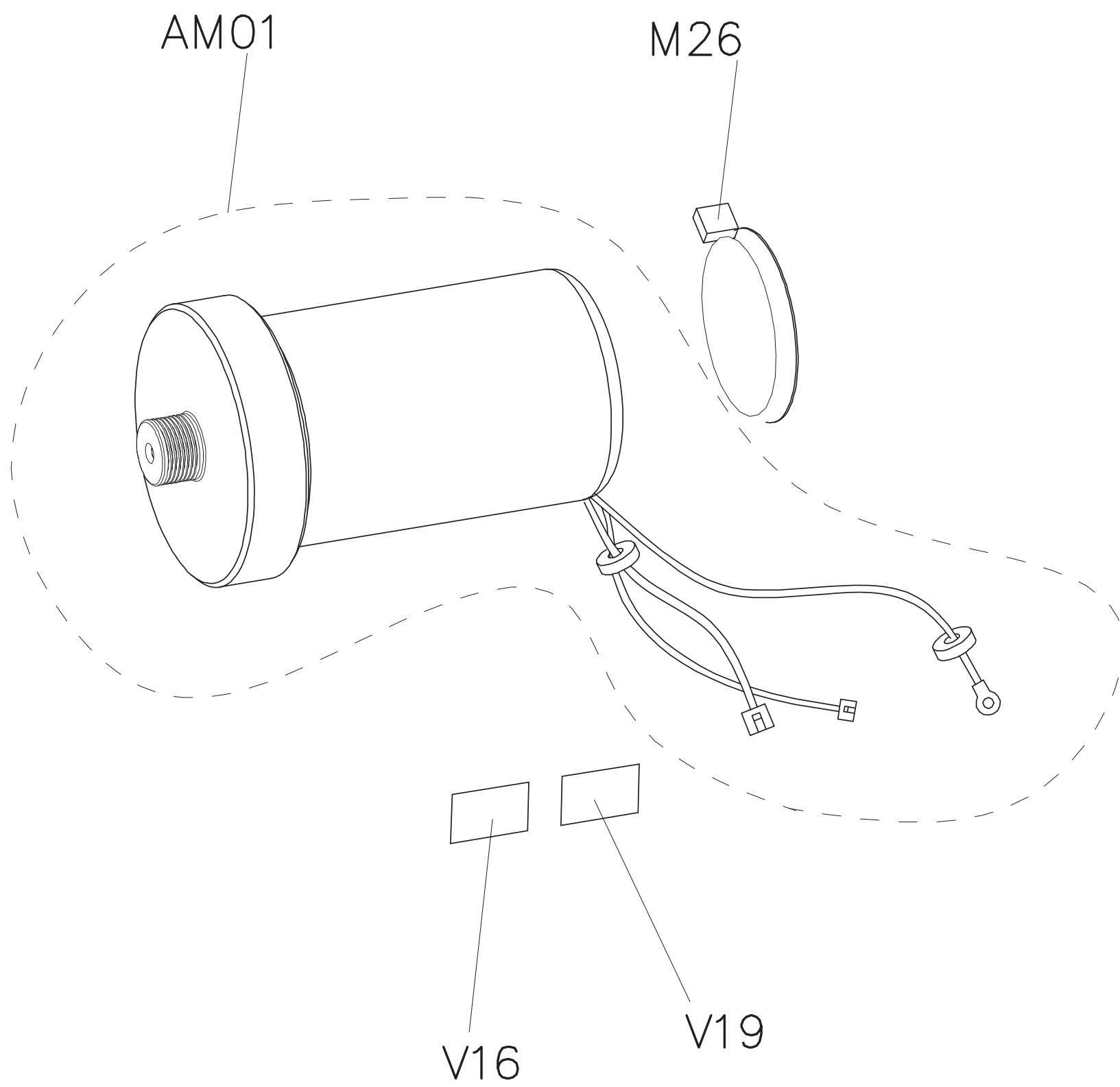
DRAWING NO	PTM492-1US		
PART NAME	Explosive Rendering		
PART NO	HTM1298-00	REV	A
APPROVE	Tangruixue	DATE	2020.03.04



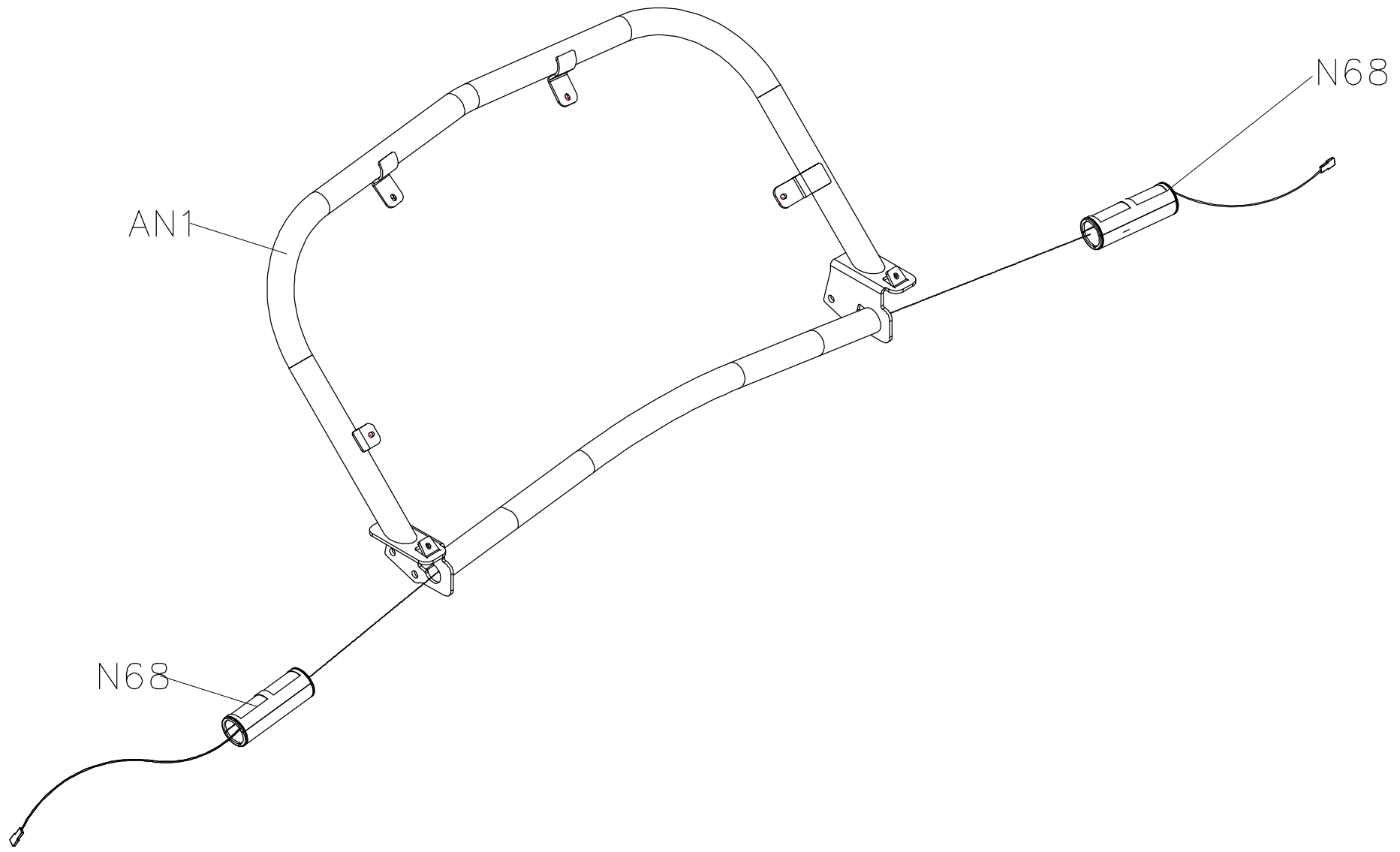
DRAWING NO	TM726-A13		
PART NAME	Console set		
PART NO	1000418973		B
APPROVE	Weber	DATE	2017.12.11



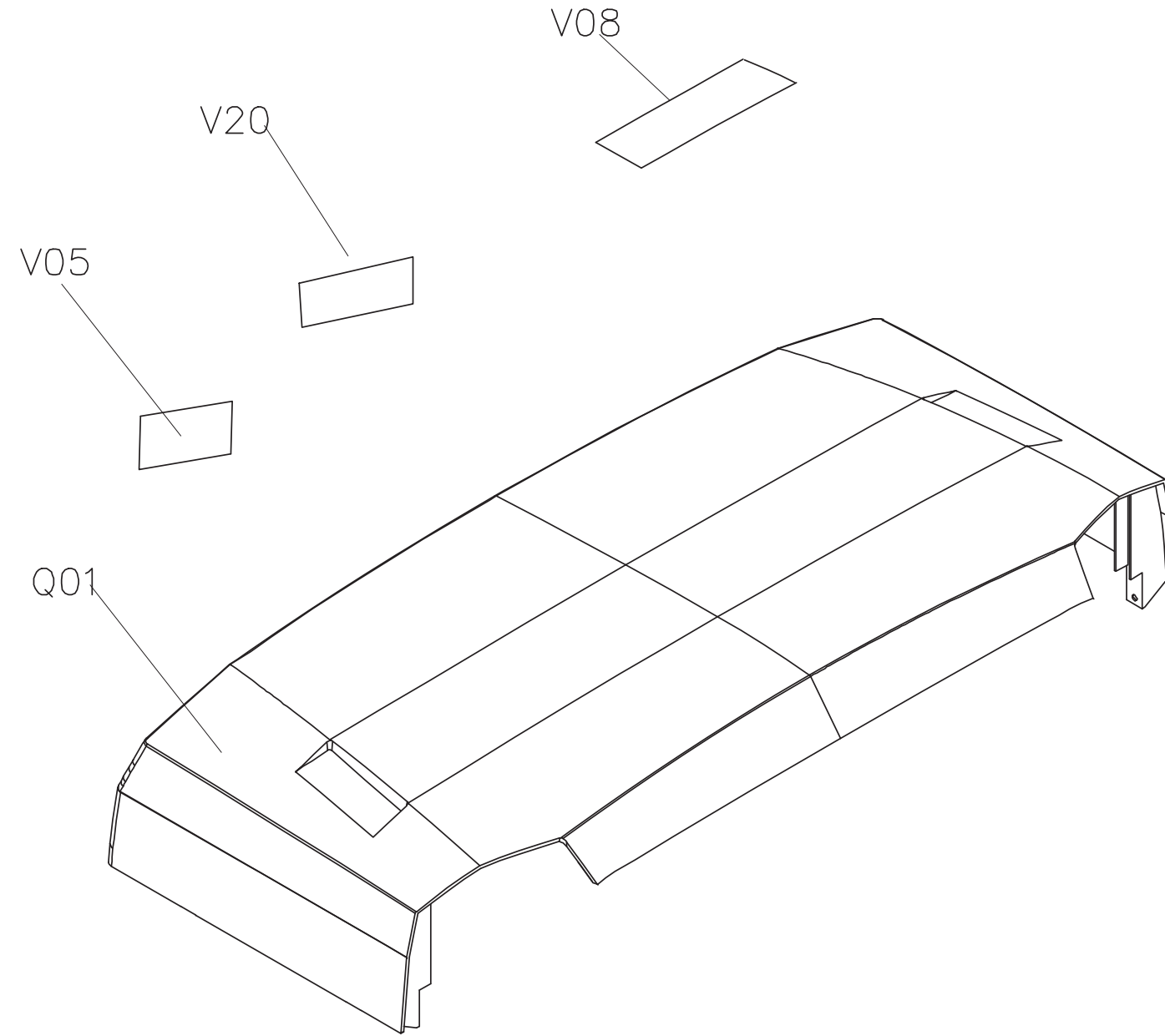
DRAWING NO	TM726-A12		
PART NAME	Motor		
PART NO	1000418970	REV	A
APPROVE	Weber	DATE	2017.12.11



DRAWING NO	TM726-A16		
PART NAME	Console Base Set		
PART NO	1000418975	REV	A
APPROVE	Weber	DATE	2017.12.11



DRAWING NO	TM492-A15		
PART NAME	Cap Motor		
PART NO	1000449855	REV	A
APPROVE	Tangruixue	DATE	2020.03.04



DRAWING NO	TM726-A14		
PART NAME	Console Set UP		
PART NO	1000418974	B	
APPROVE	LIXIANMING	DATE	2020.03.04

