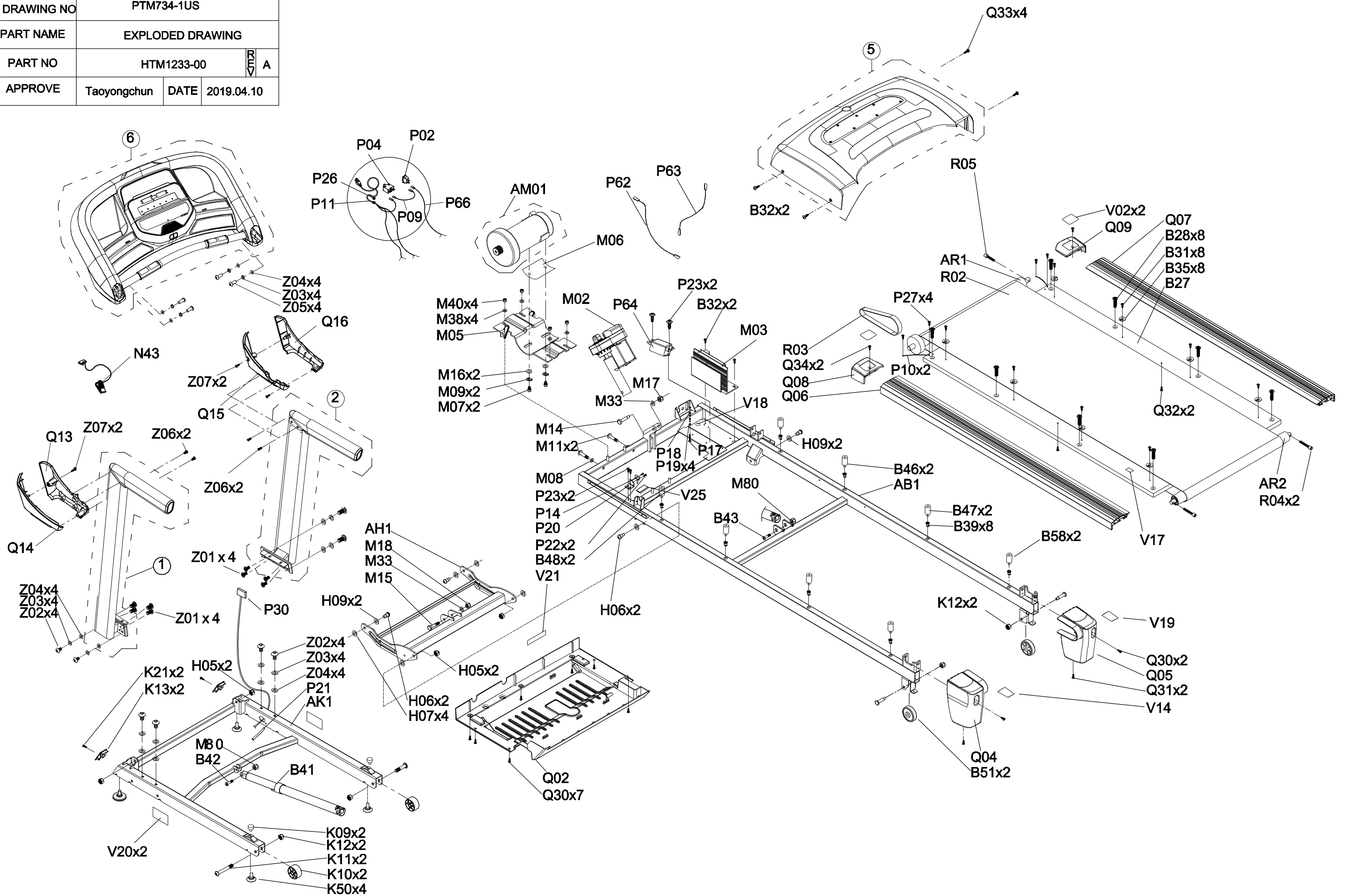
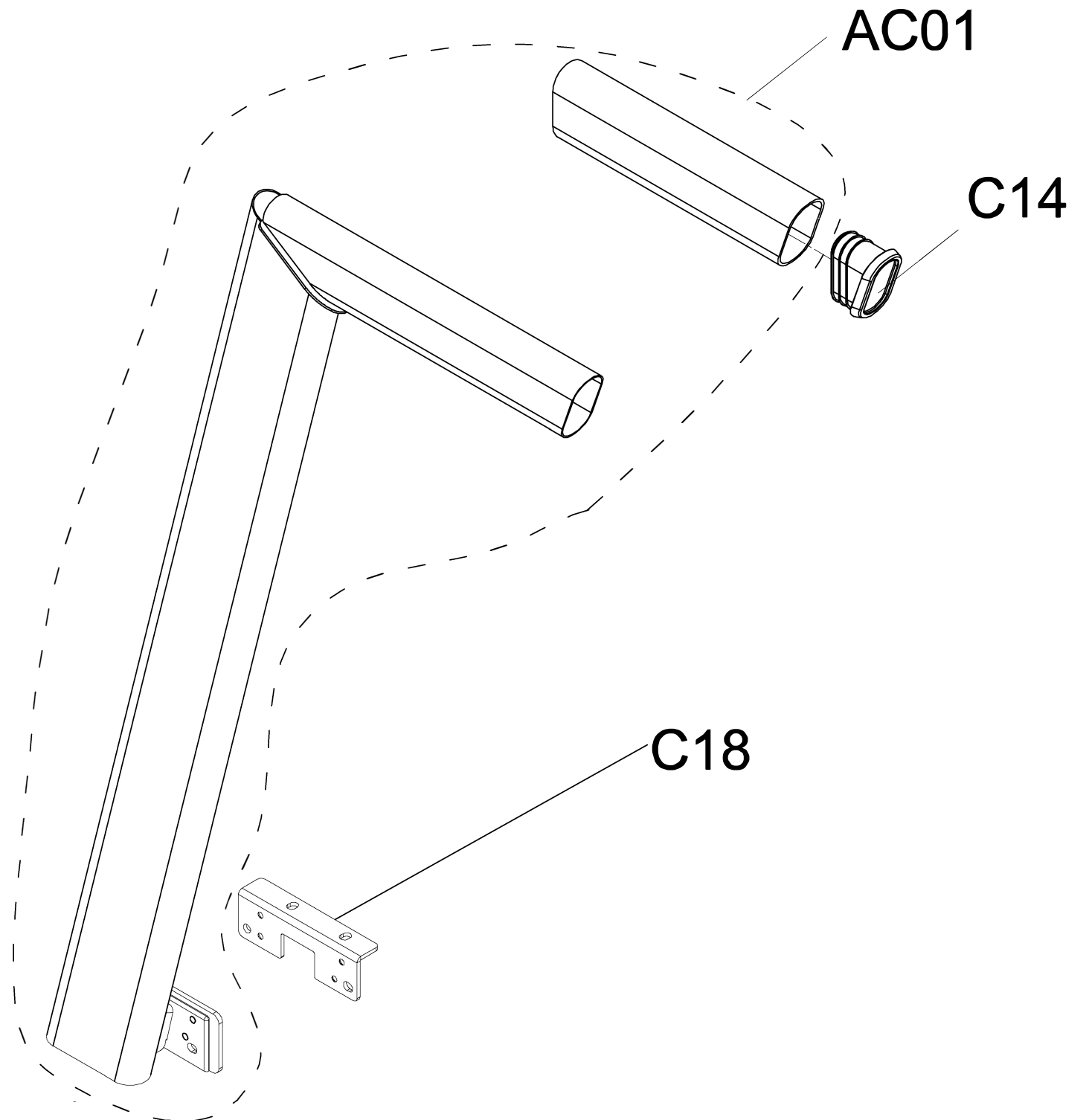


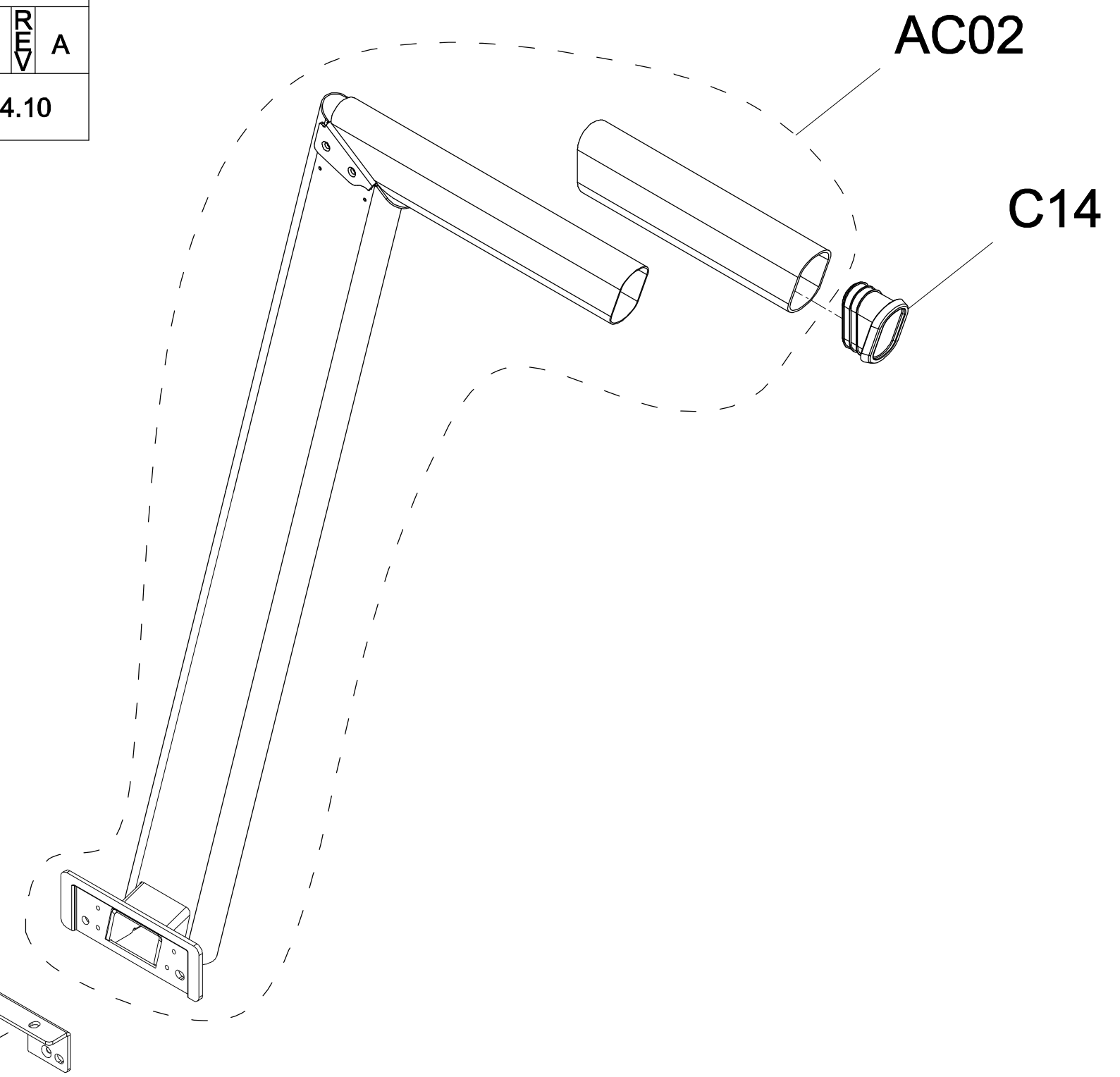
DRAWING NO	PTM734-1US		
PART NAME	EXPLODED DRAWING		
PART NO	HTM1233-00	REV	A
APPROVE	Taoyongchun	DATE	2019.04.10



DRAWING NO	TM734-A17		
PART NAME	CONSOLE MAST SET;L		
PART NO	1000421937	REV	A
APPROVE	LIXIANGYU	DATE	2018.04.10



DRAWING NO	TM734-A18		
PART NAME	CONSOLE MAST SET;R		
PART NO	1000421938	REV	A
APPROVE	LIXIANGYU	DATE	2018.04.10

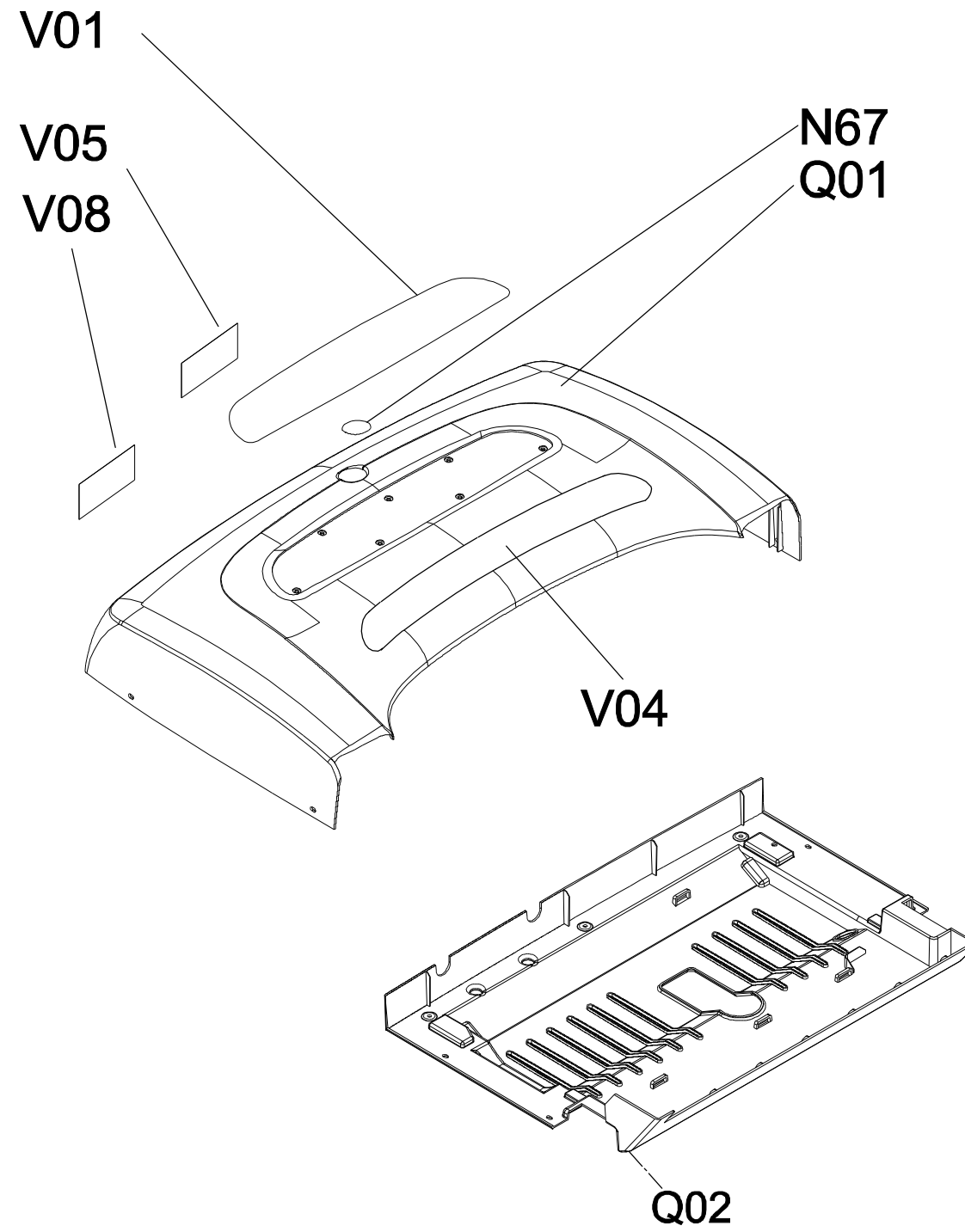


C19

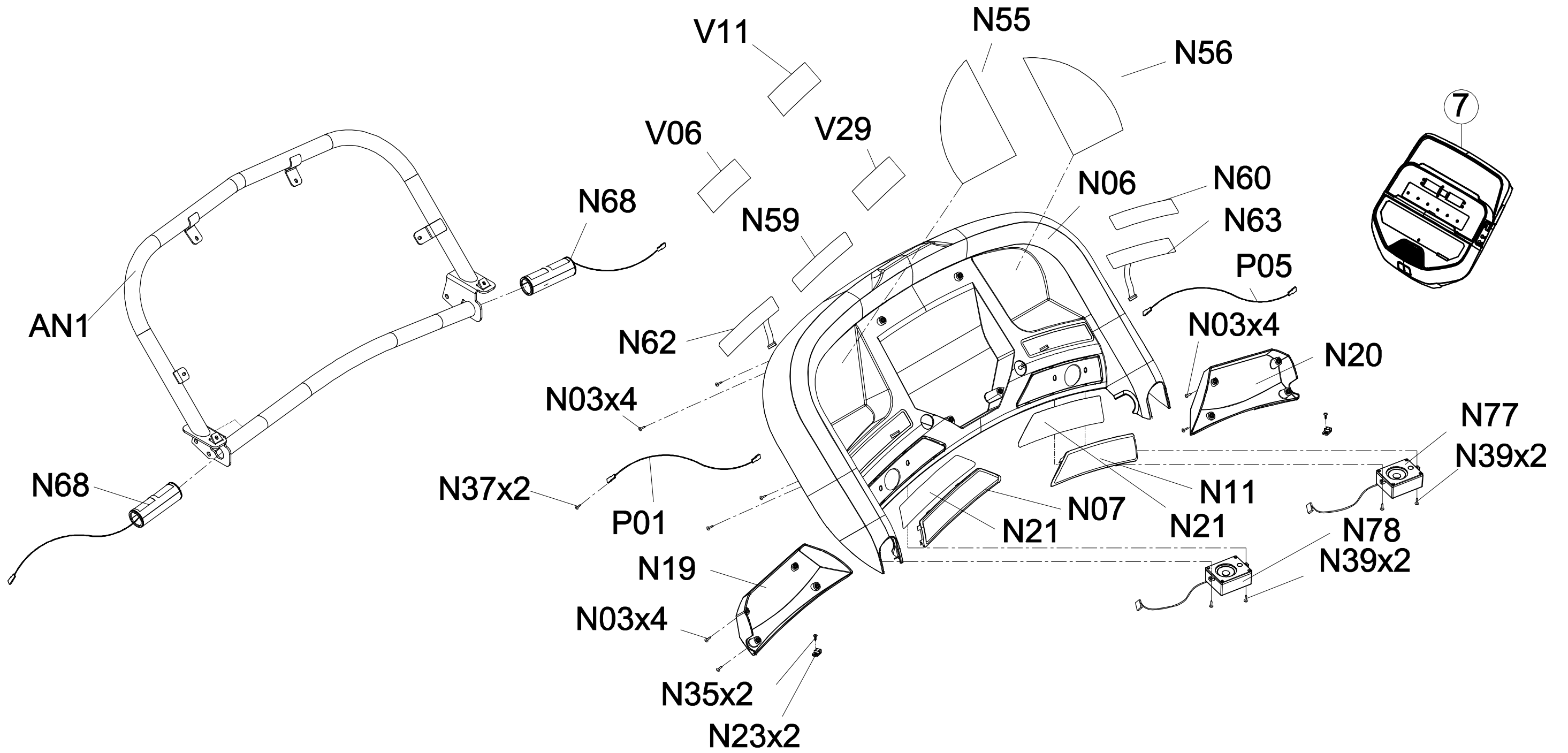
AC02

C14

DRAWING NO	TM734-A19		
PART NAME	Motor Cover Set		
PART NO	1000421939	REV	
APPROVE	Lixiangyu	DATE	2018.04.10



DRAWING NO	TM734-A11		
PART NAME	CONSOLE Set		
PART NO	1000421940	REV	A
APPROVE	LIXIANGYU	DATE	2018.04.10



DRAWING NO	TM734-A13		
PART NAME	CONSOLE OVERALAY		
PART NO	1000421954	REV	A
APPROVE	LIXIANGYU	DATE	2018.04.10

