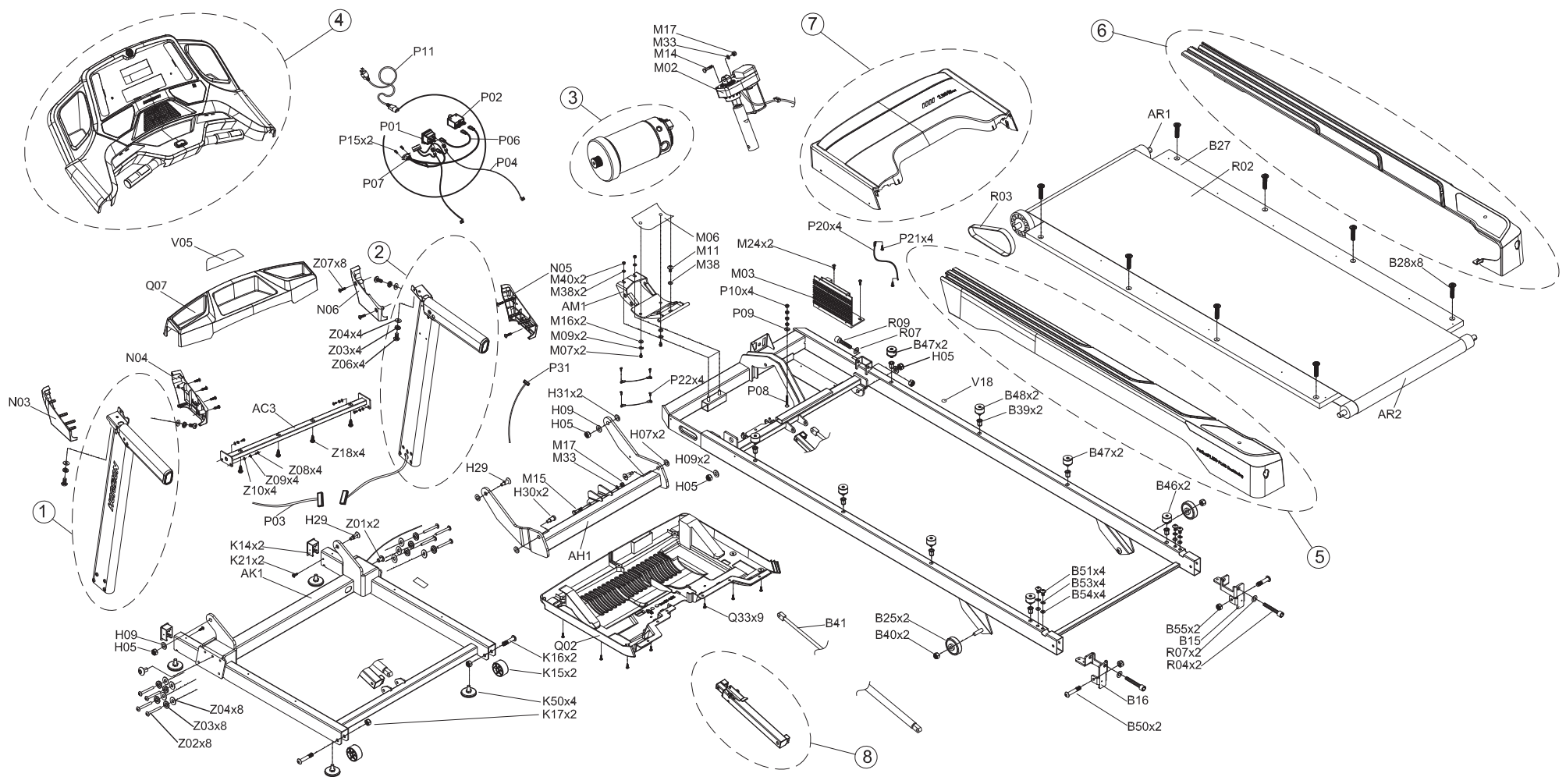
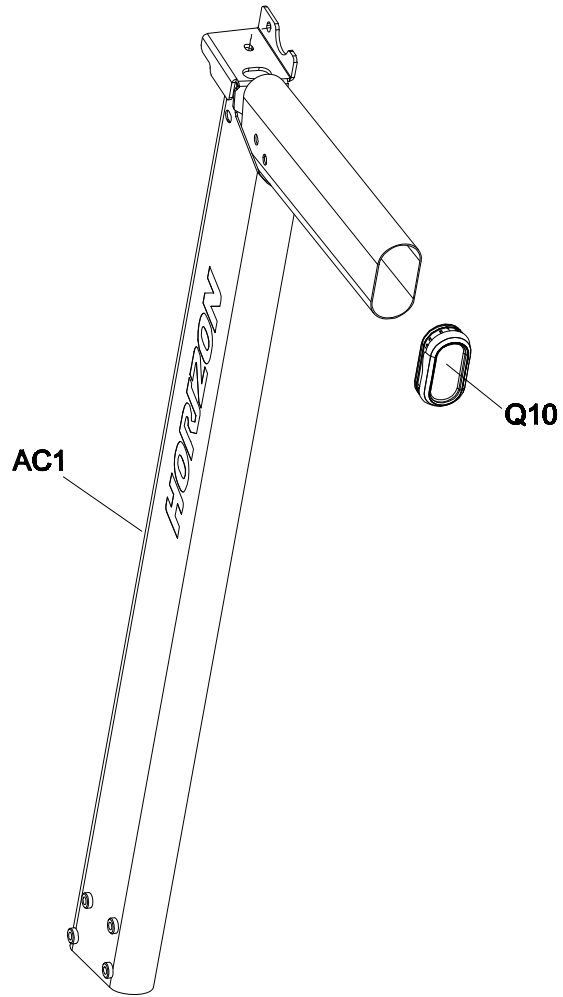


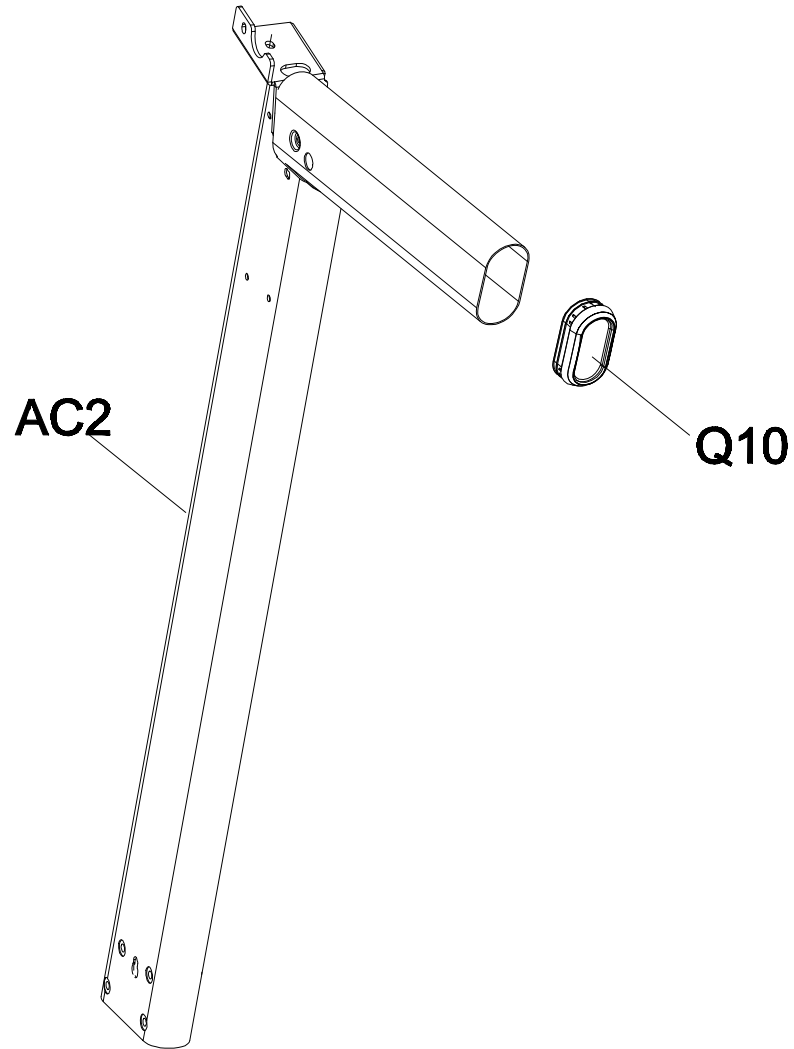
DRAWING NO	PTM444B-1US		
PART NAME	Explosive Rendering		
PART NO	HTM0978-00	REV	A
APPROVE	DATE	2012.12.14	




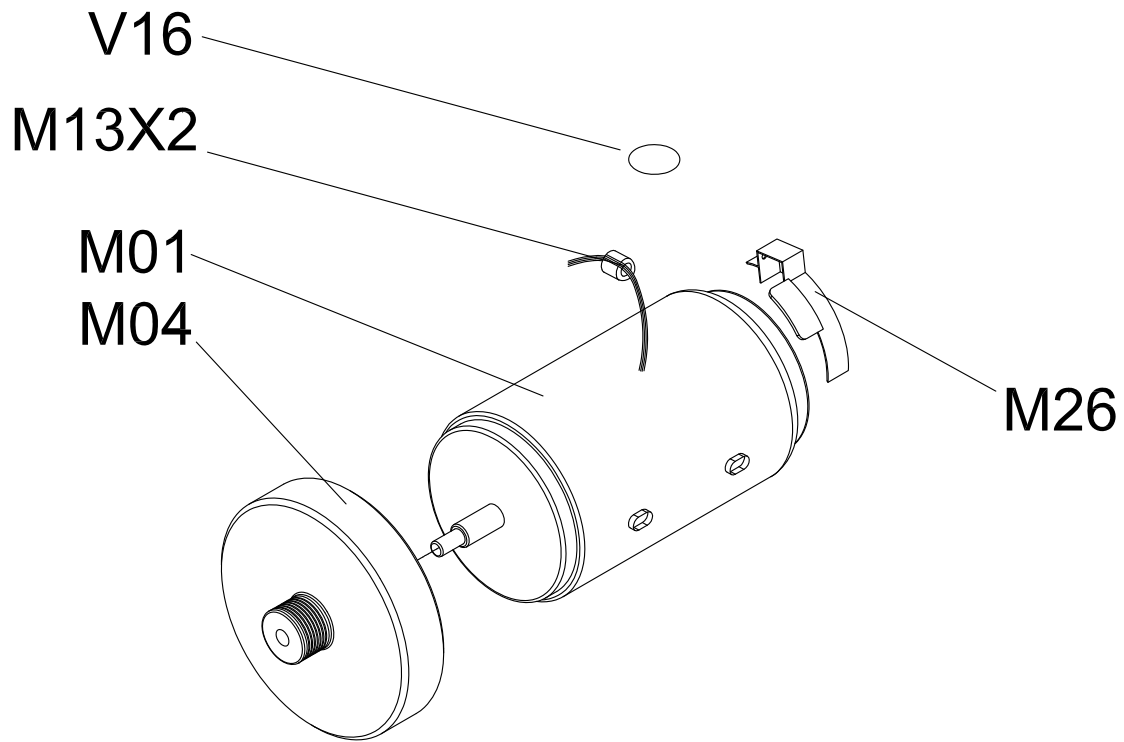
DRAWING NO	TM444-A06		
PART NAME	Console mast Left		
PART NO	1000232122		A
APPROVE	DATE	2012.12.19	



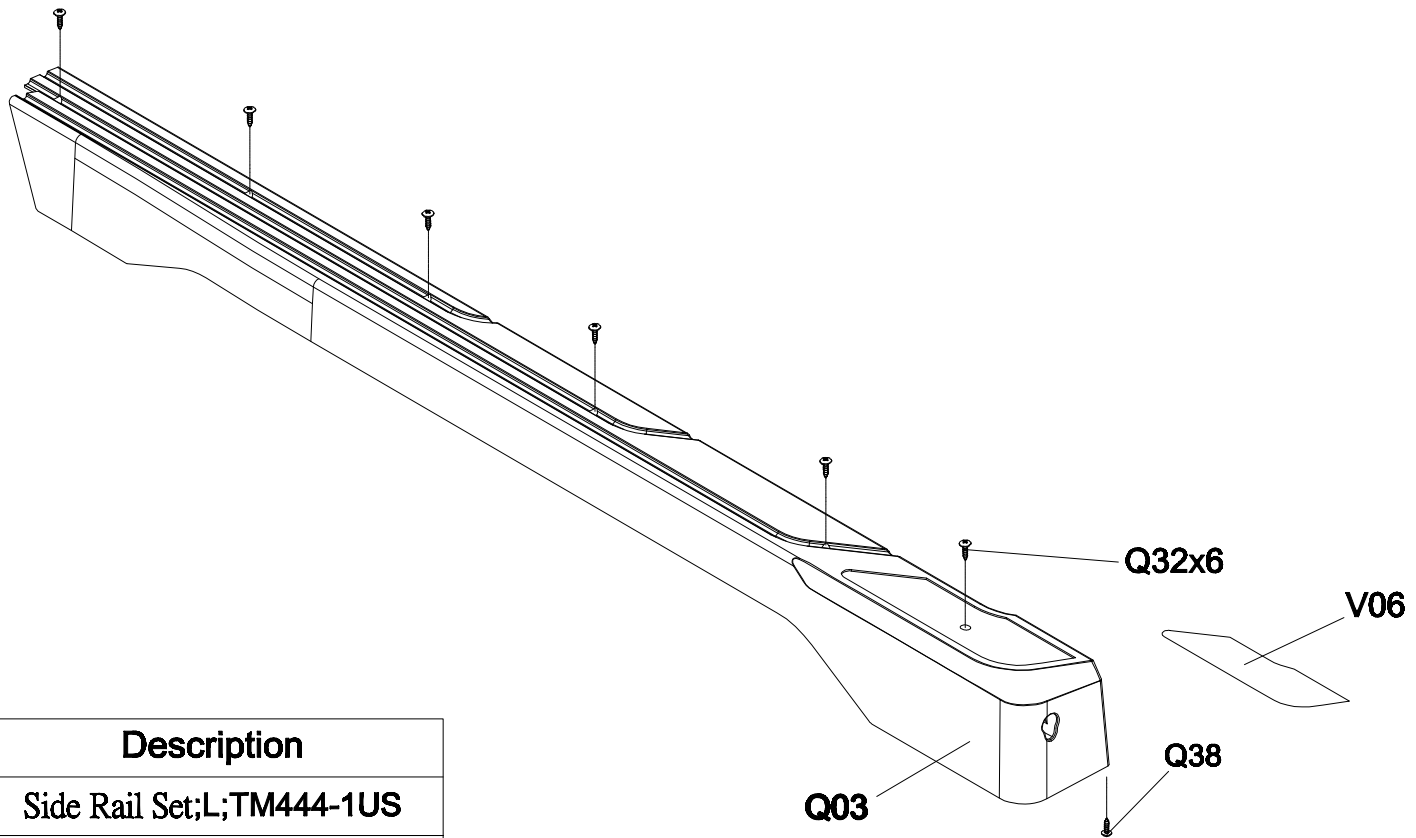
DRAWING NO	TM444-A07		
PART NAME	Console mast Right		
PART NO	1000232123	REV	A
APPROVE		DATE	2012.12.10



DRAWING NO	TM444-A08		
PART NAME	Motor set		
PART NO	1000232124		A
APPROVE		DATE	2012.5.16

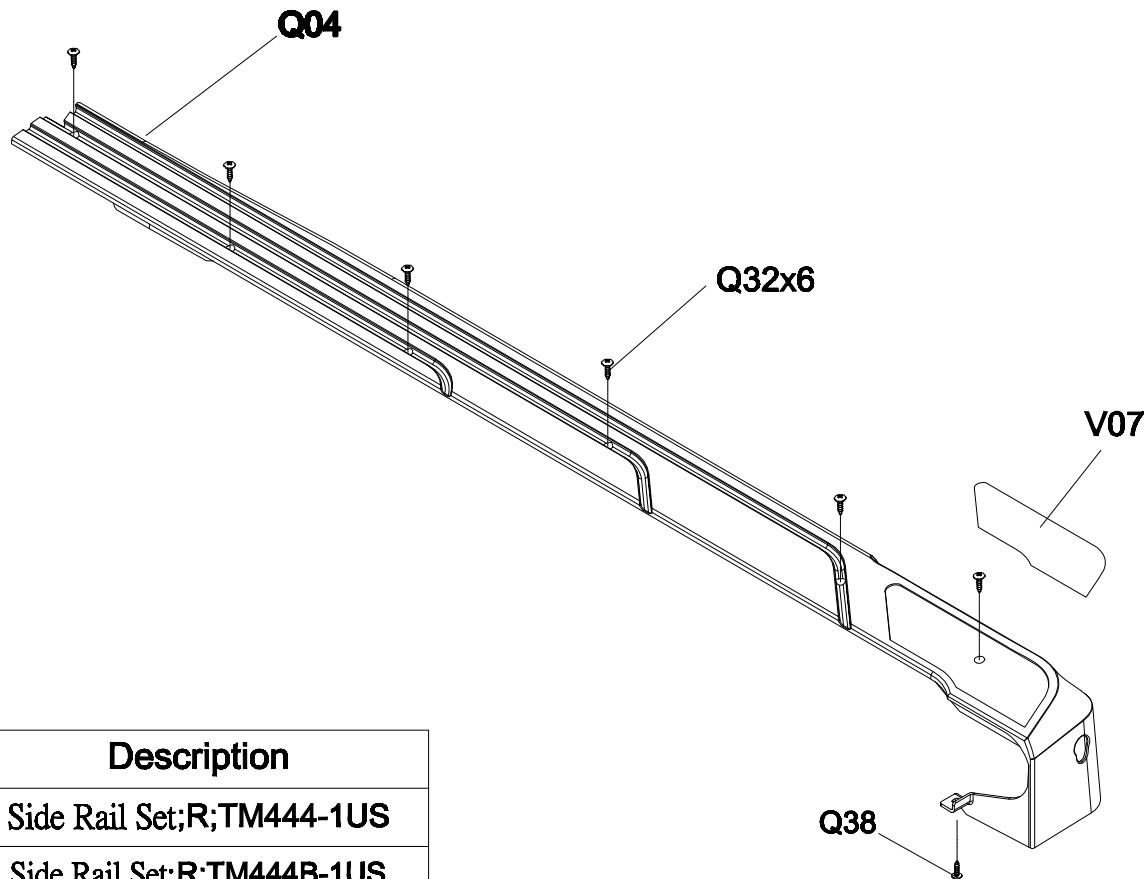


DRAWING NO	TM444-A10		
PART NAME	Side Rail Set;L		
PART NO			A
APPROVE		DATE	2012.12.08




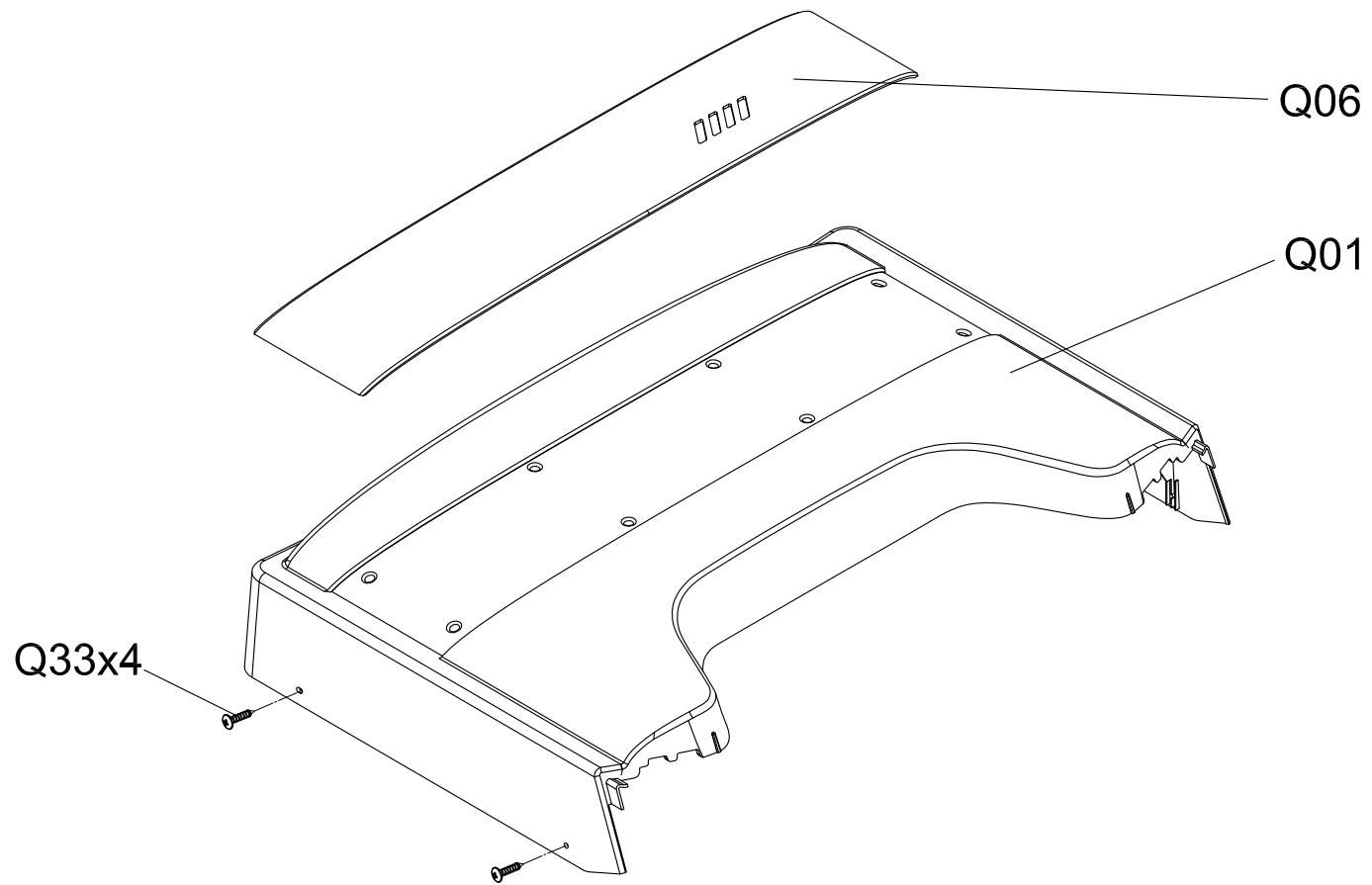
Part NO.	Description
1000232127	Side Rail Set;L;TM444-1US
1000305876	Side Rail Set;L;TM444B-1US

DRAWING NO	TM444-A11		
PART NAME	Side Rail Set;R		
PART NO			A
APPROVE		DATE	2012.12.03



Part NO.	Description
1000232128	Side Rail Set;R;TM444-1US
1000305877	Side Rail Set;R;TM444B-1US

DRAWING NO	TM444-A12		
PART NAME	Motor Cover Set up		
PART NO	1000232126		A
APPROVE		DATE	2012.5.16



DRAWING NO	TM444-A13		
PART NAME	Connect set		
PART NO	1000233273	REV A	
APPROVE	DATE	2012.12.25	

