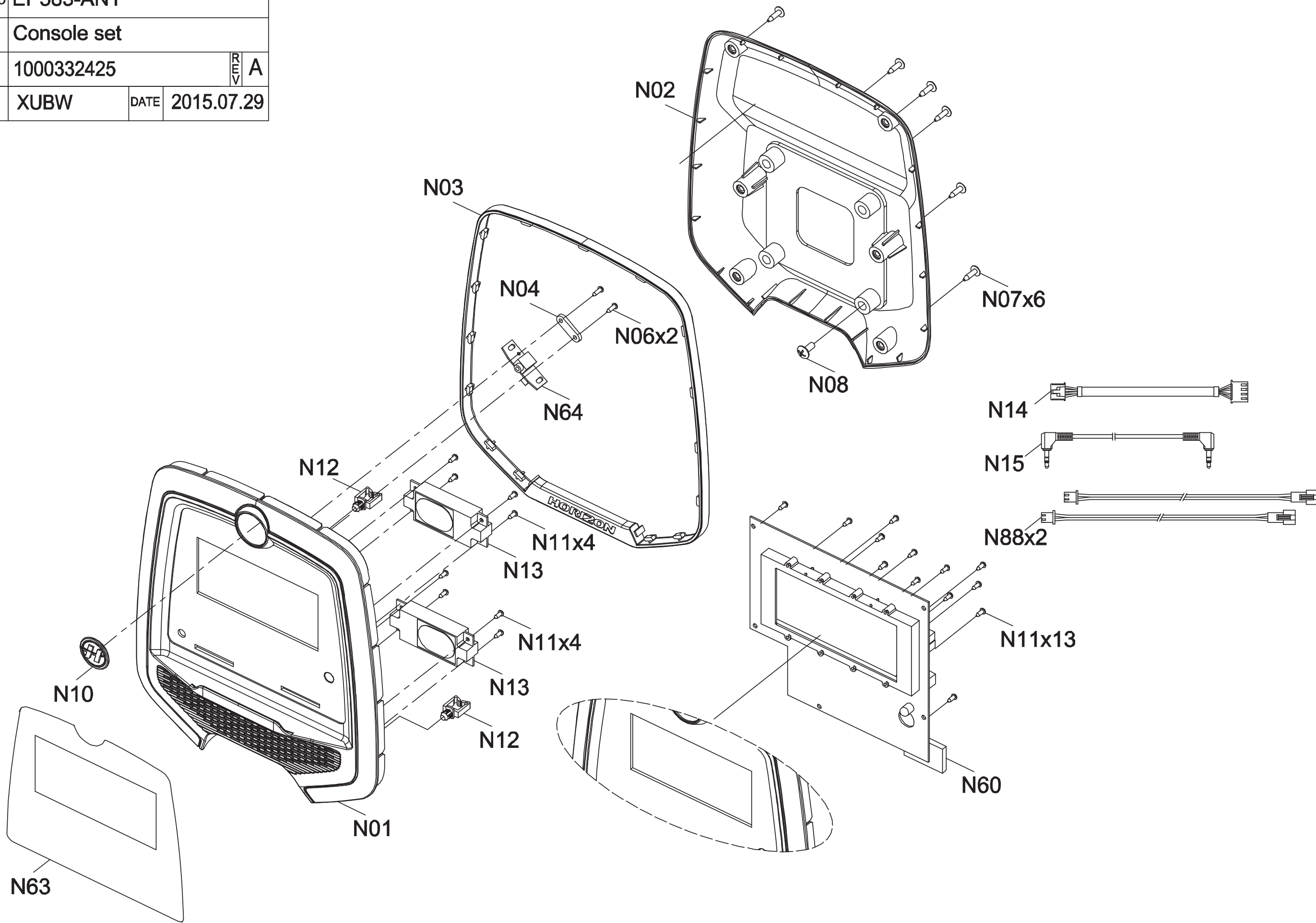
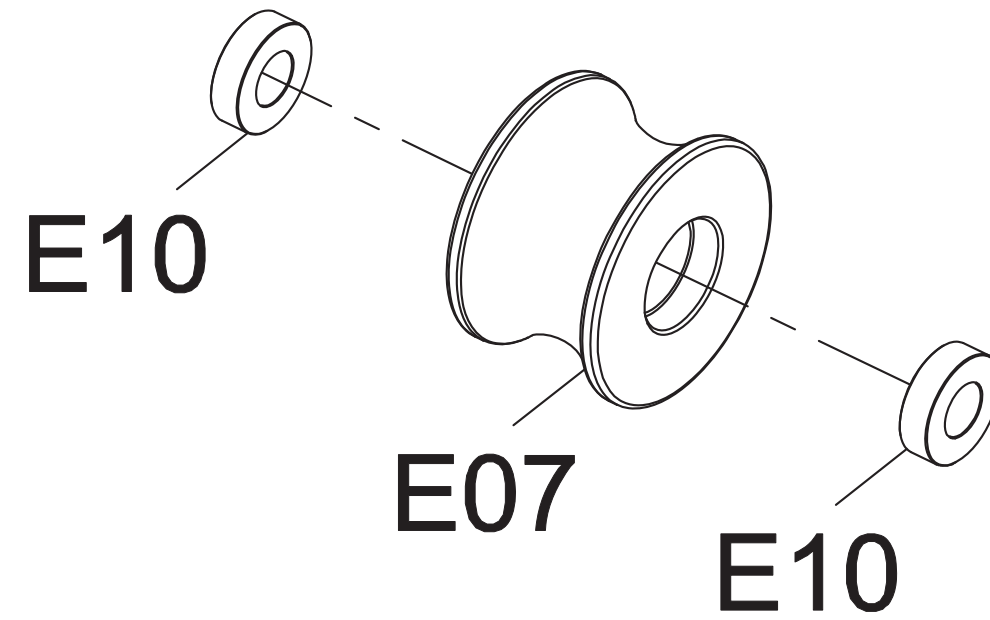


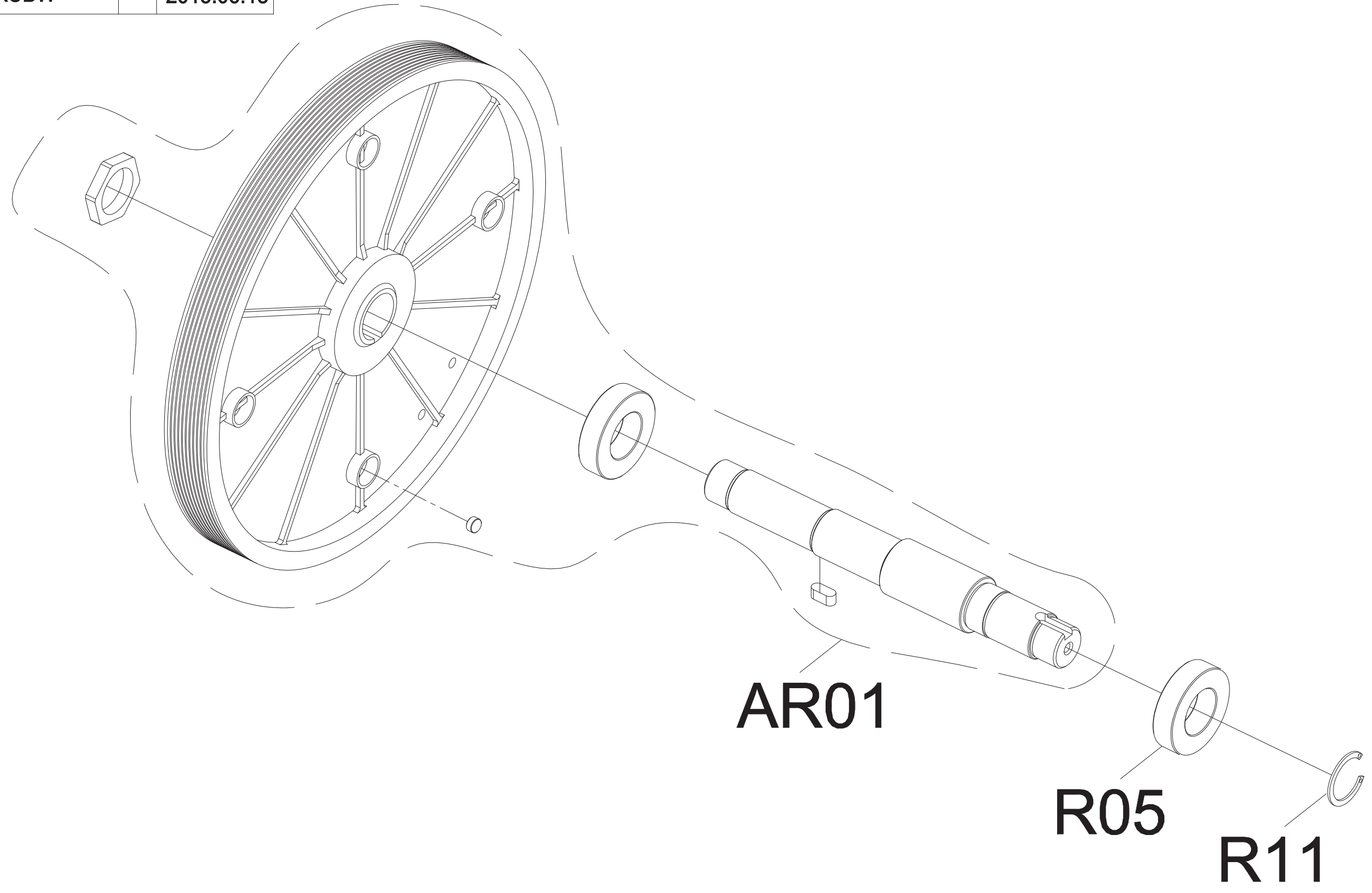
DRAWING NO	EP583-AN1		
PART NAME	Console set		
PART NO	1000332425	REV	A
APPROVE	XUBW	DATE	2015.07.29



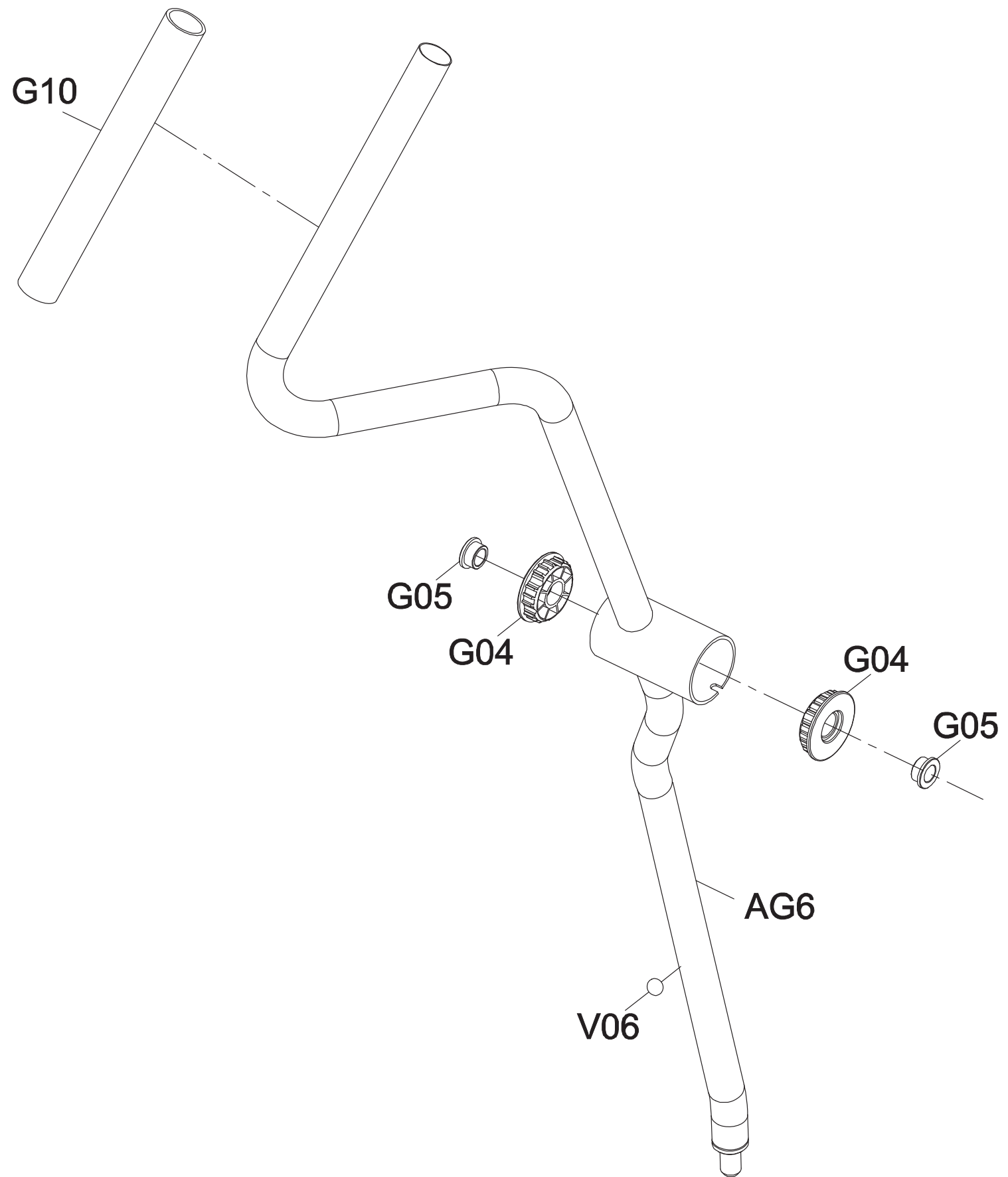
DRAWING NO	EP580-A17		
PART NAME	Roller Set		
PART NO	1000345309	REV	A
APPROVE	XUBW	DATE	2014.06.24



DRAWING NO	EP583B-A13		
PART NAME	Drive set		
PART NO	1000366297	REV	A
APPROVE	XUBW	DATE	2015.06.18



DRAWING NO	EP593-SF16		
PART NAME	ARM REST SET;LEFT		
PART NO	1000437874	REV	A
APPROVE	LIUSHUO	DATE	2019.02.25



DRAWING NO	EP593-SF17		
PART NAME	ARM REST SET;RIGHT		
PART NO	1000437875	REV	A
APPROVE	LIUSHUO	DATE	2019.02.25

