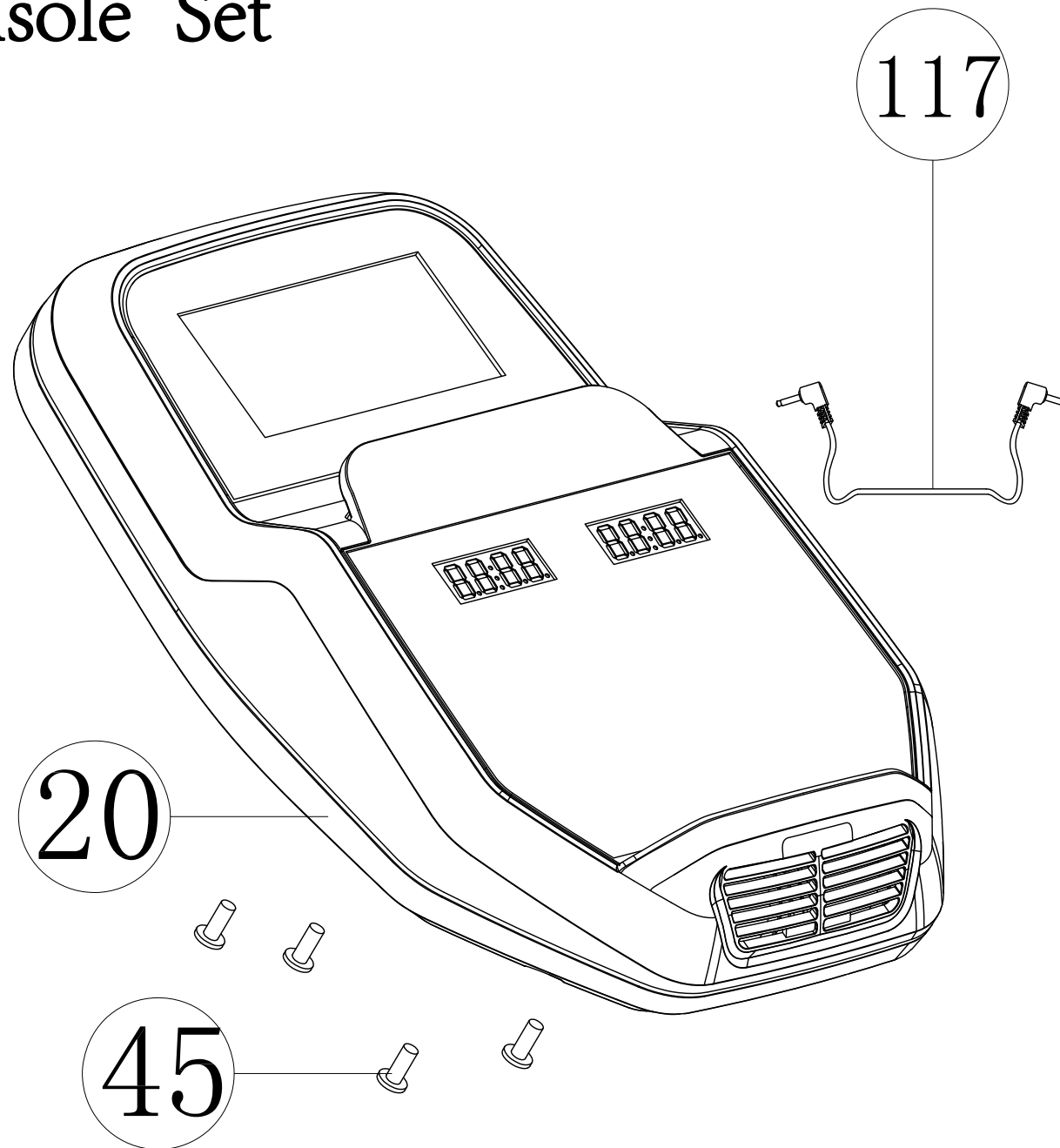
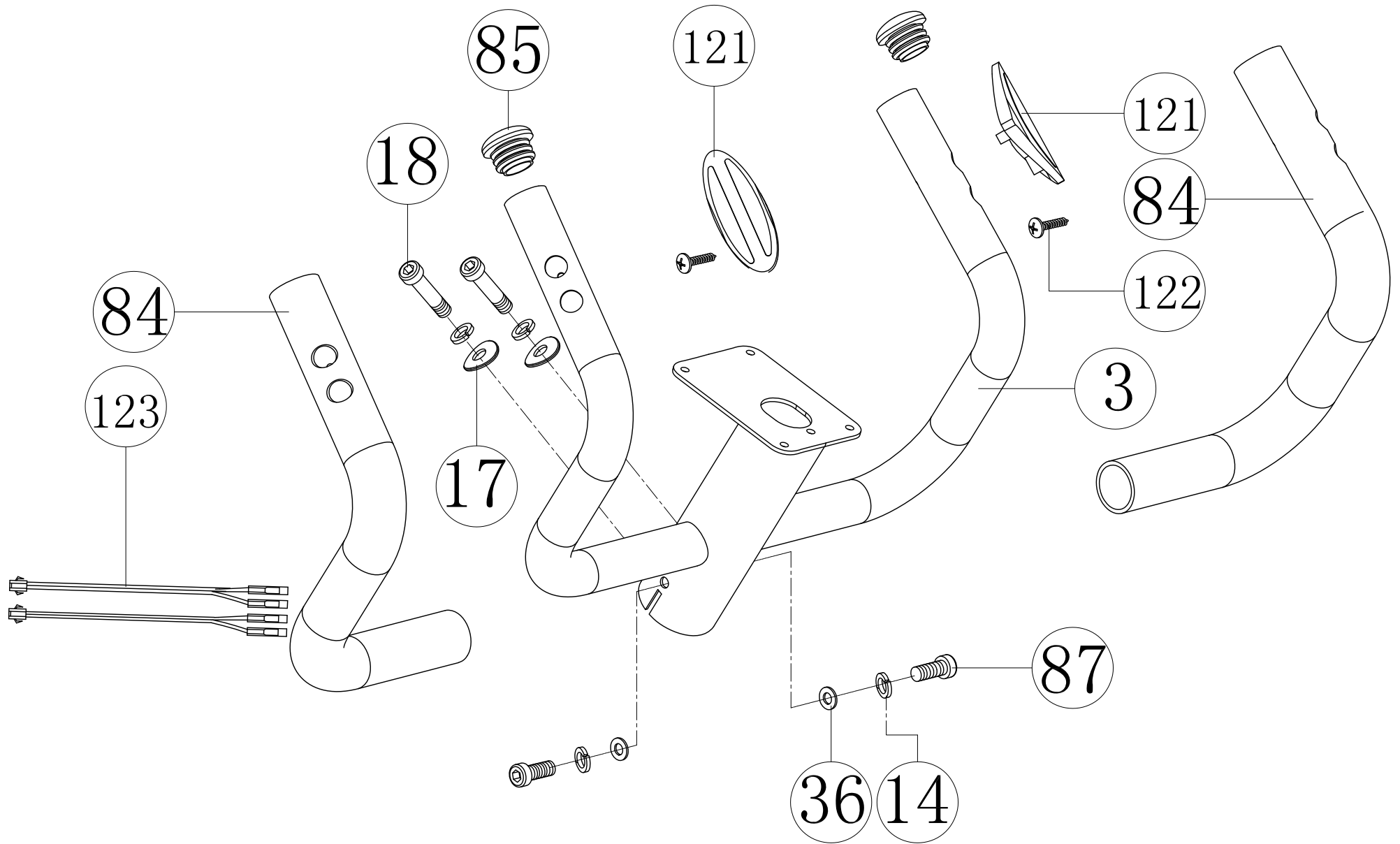


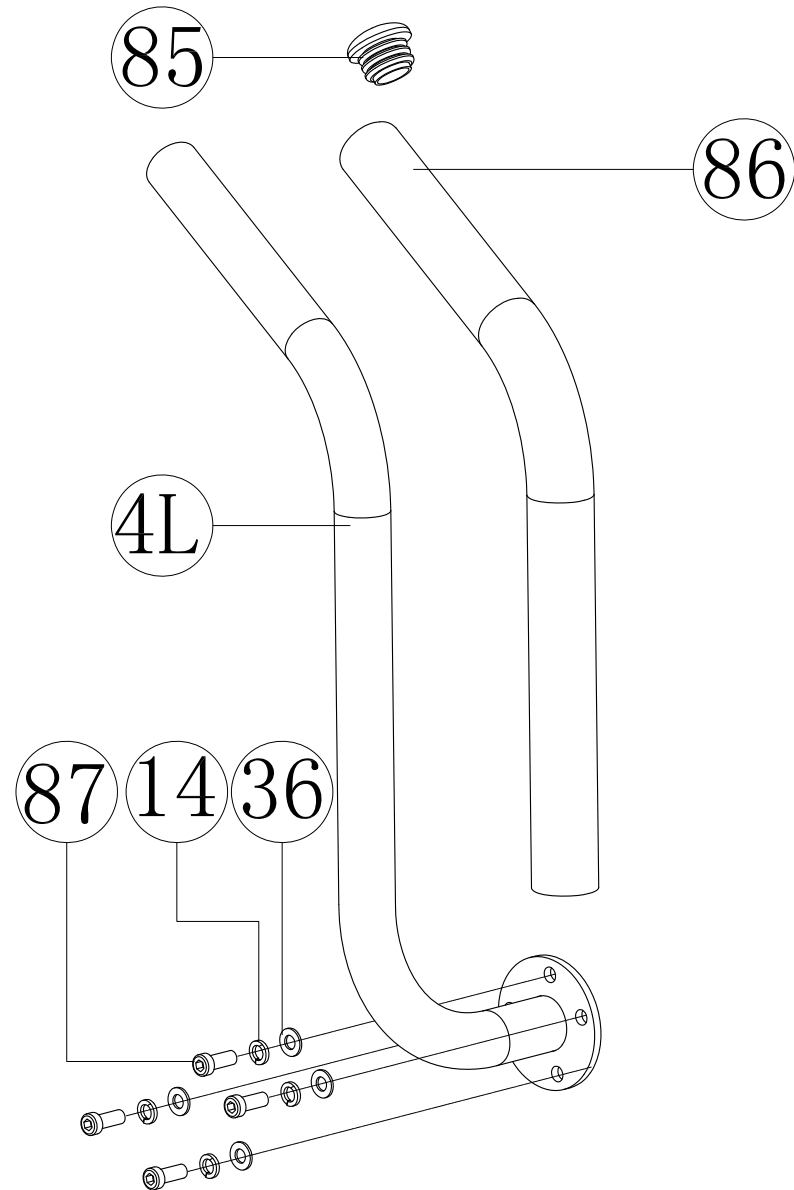
A01 Console Set



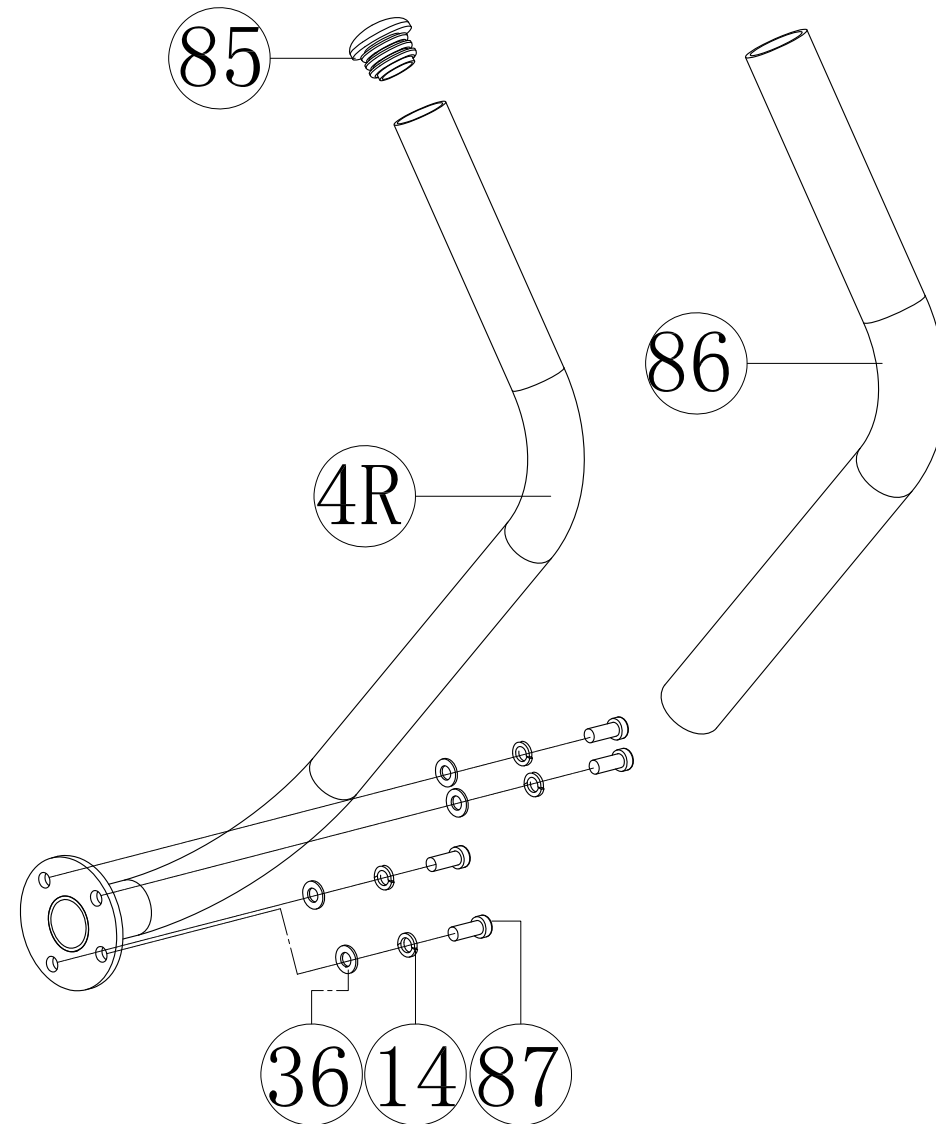
A02 Console Mast Set



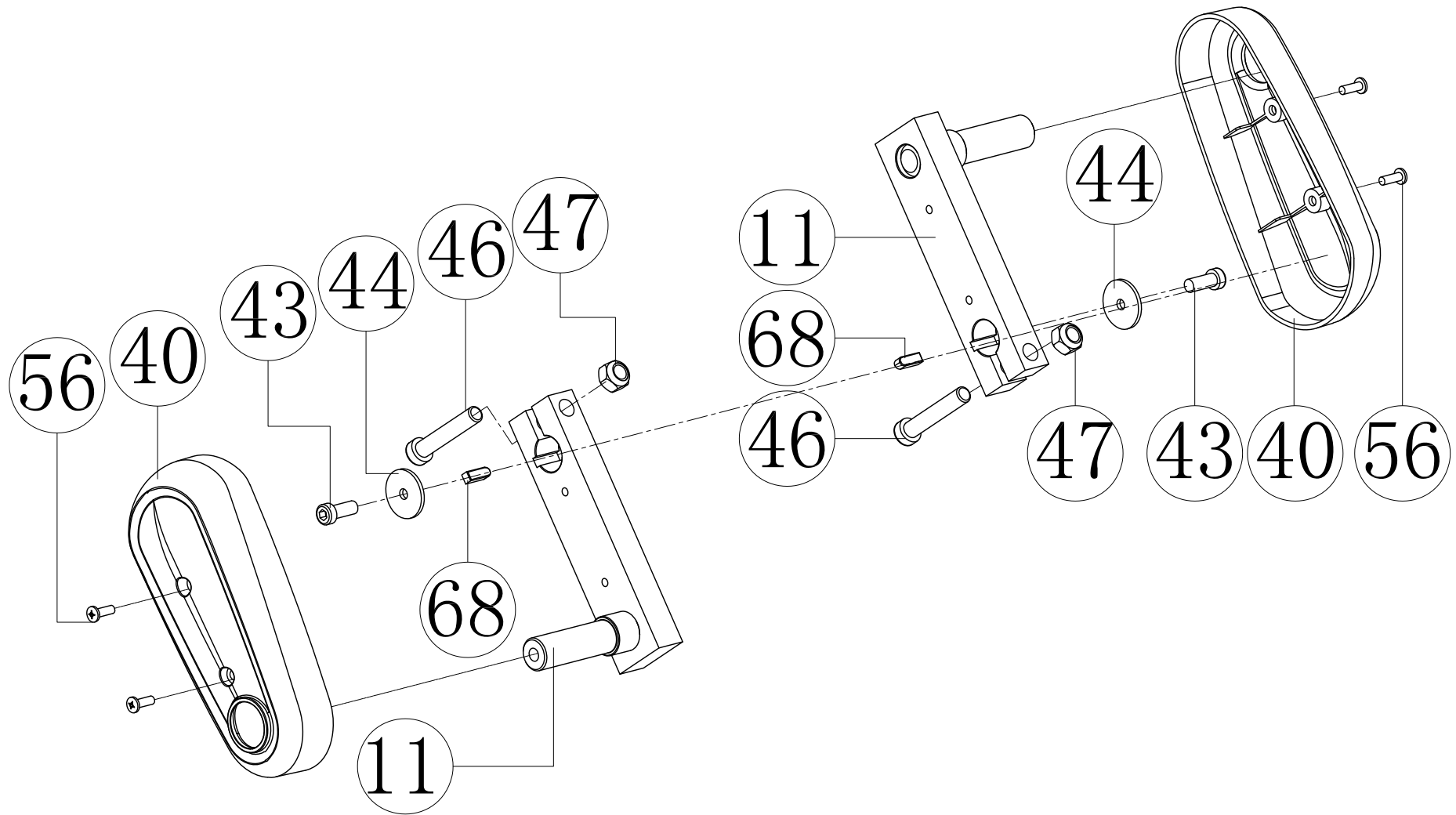
A03 Left movable handlebar post set



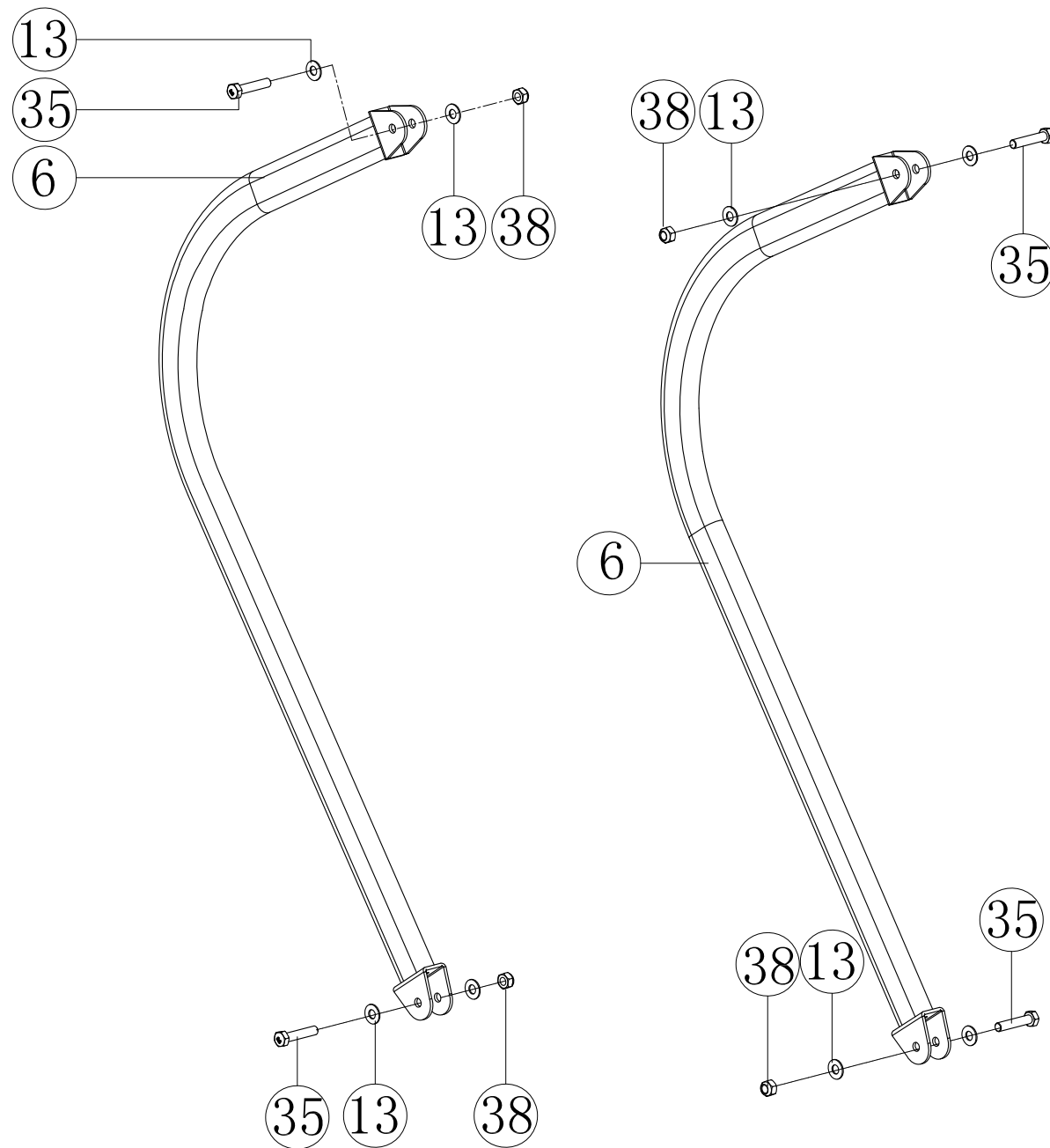
A04 Right movable handlebar post set



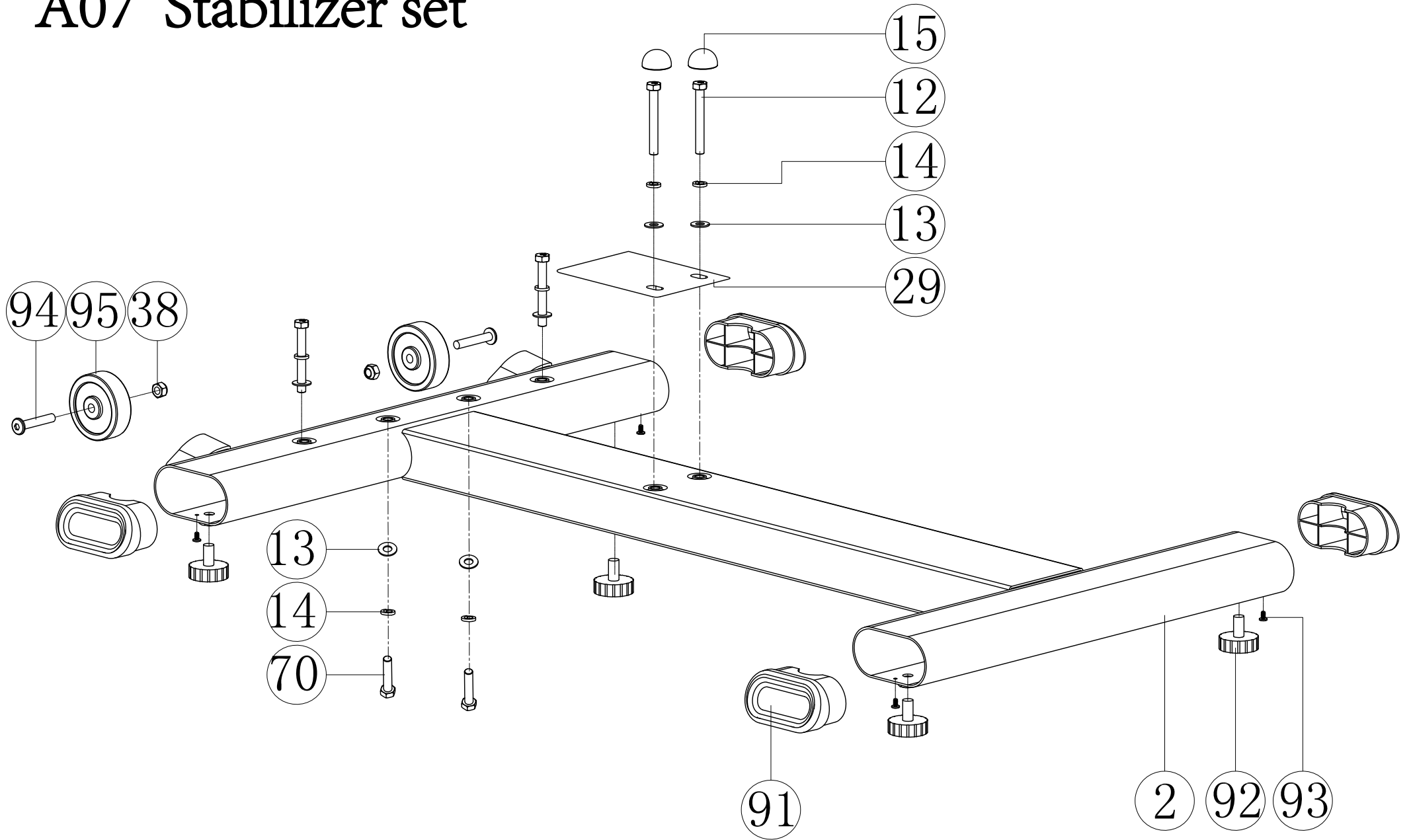
A05 Crank Set



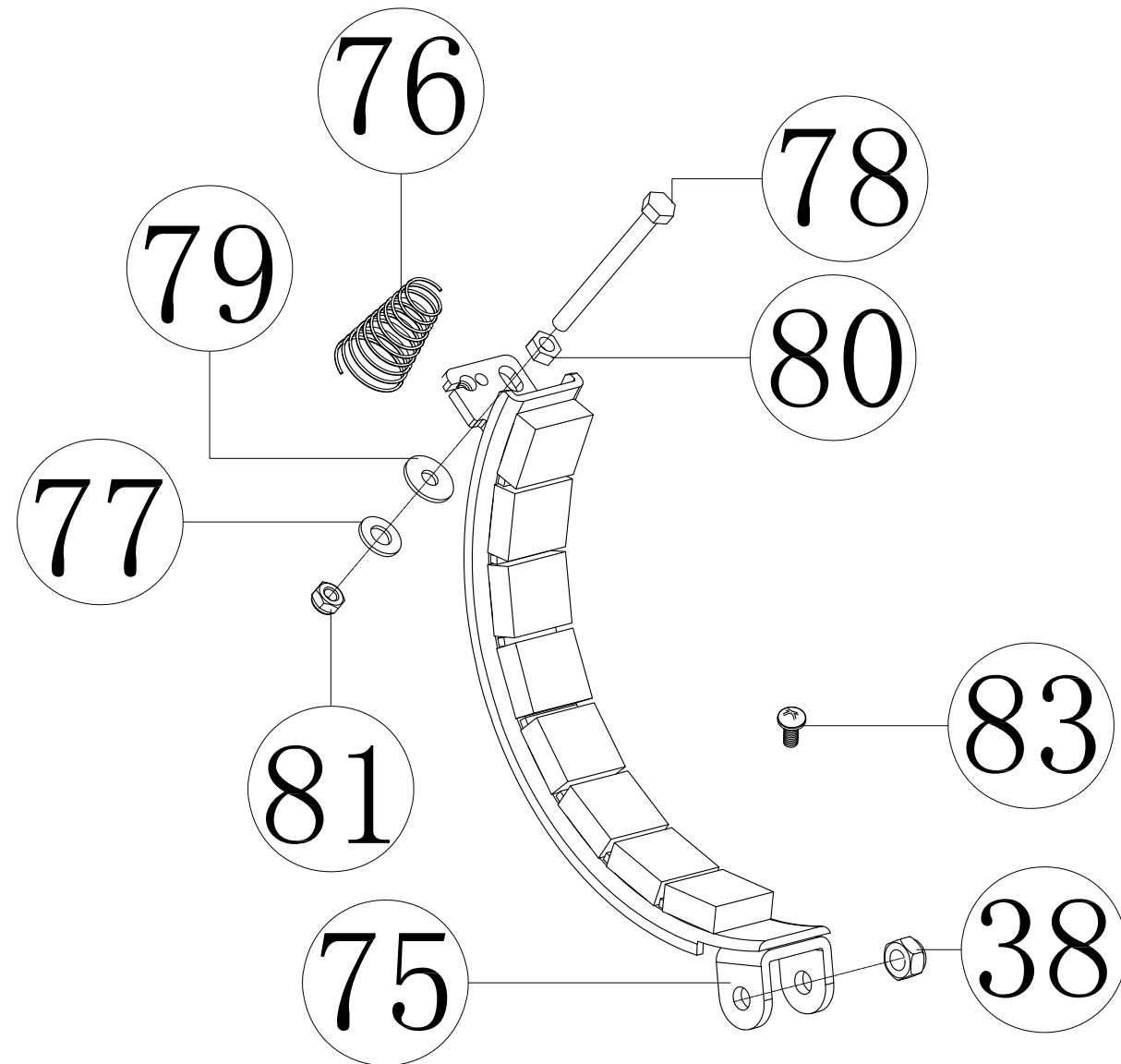
A06 Supporting tube for movable handlebar set



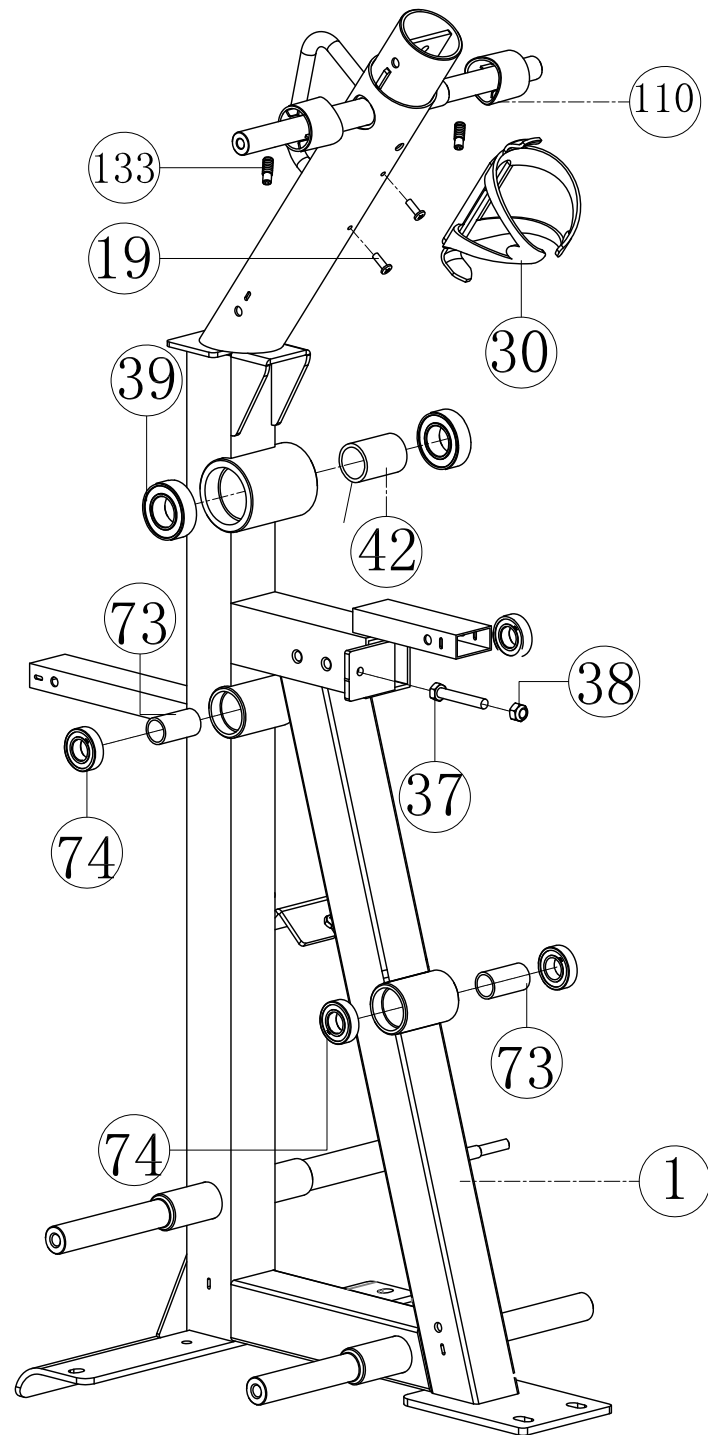
A07 Stabilizer set



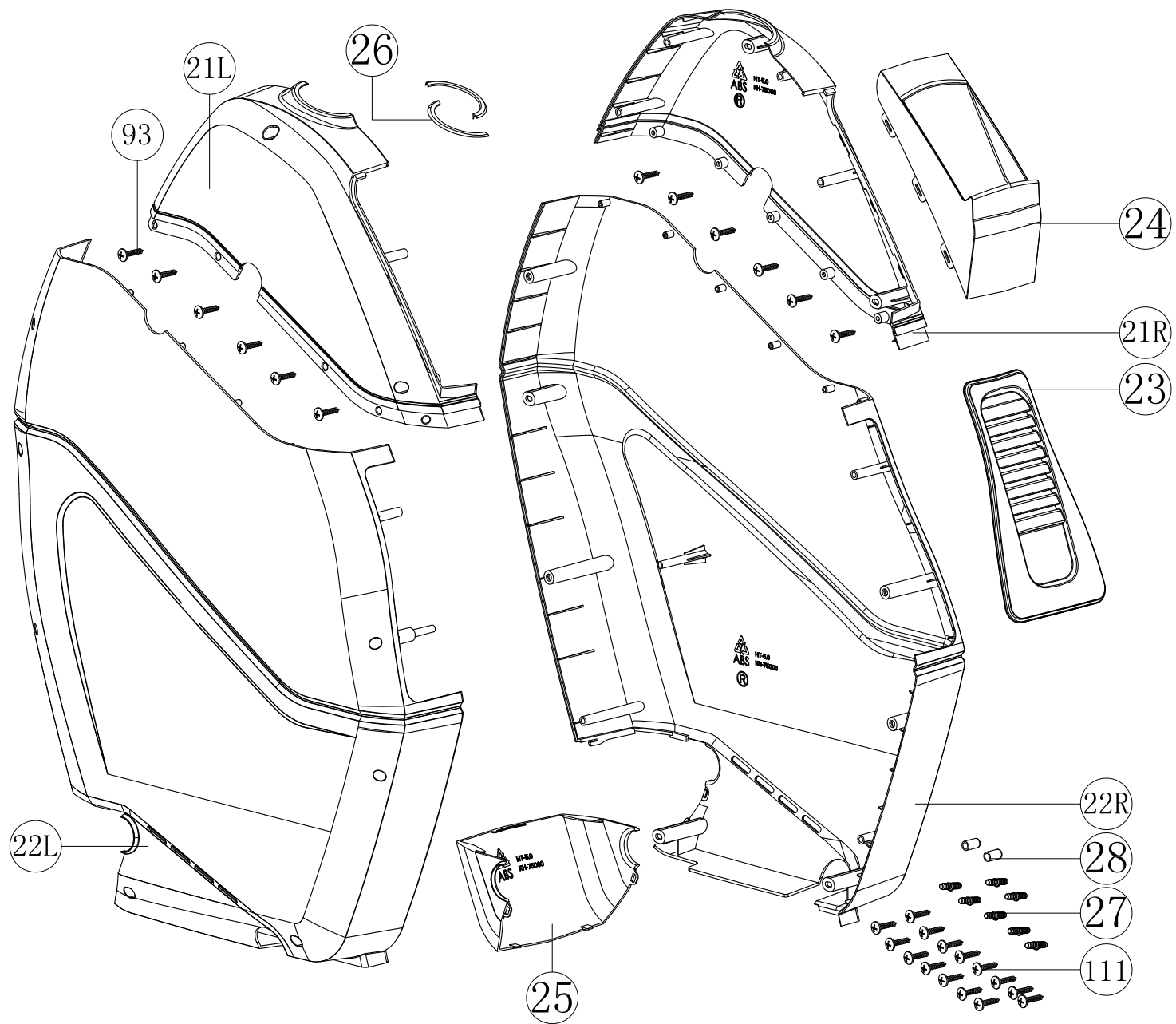
A08 magnet fixing hold set



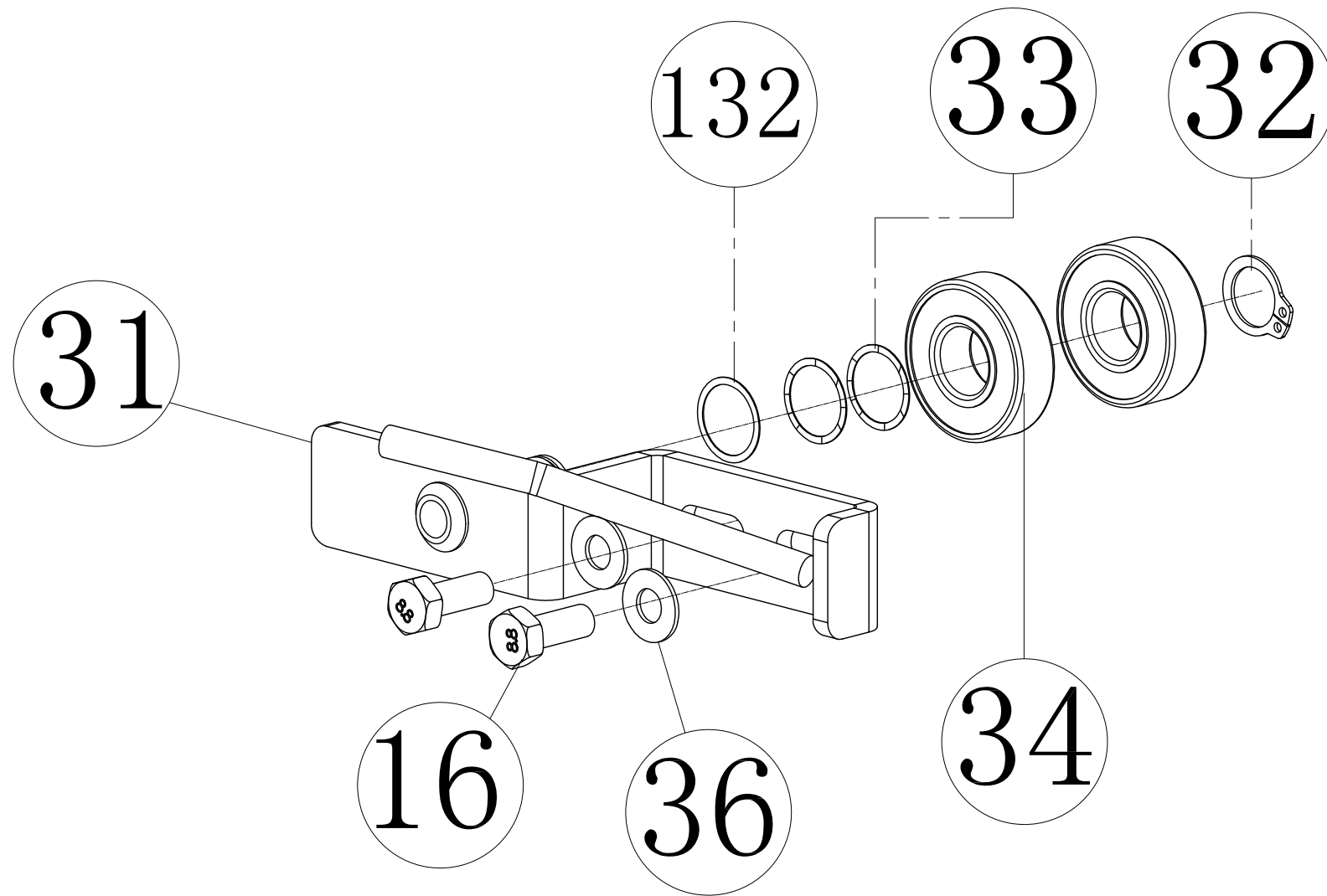
A09 frame set



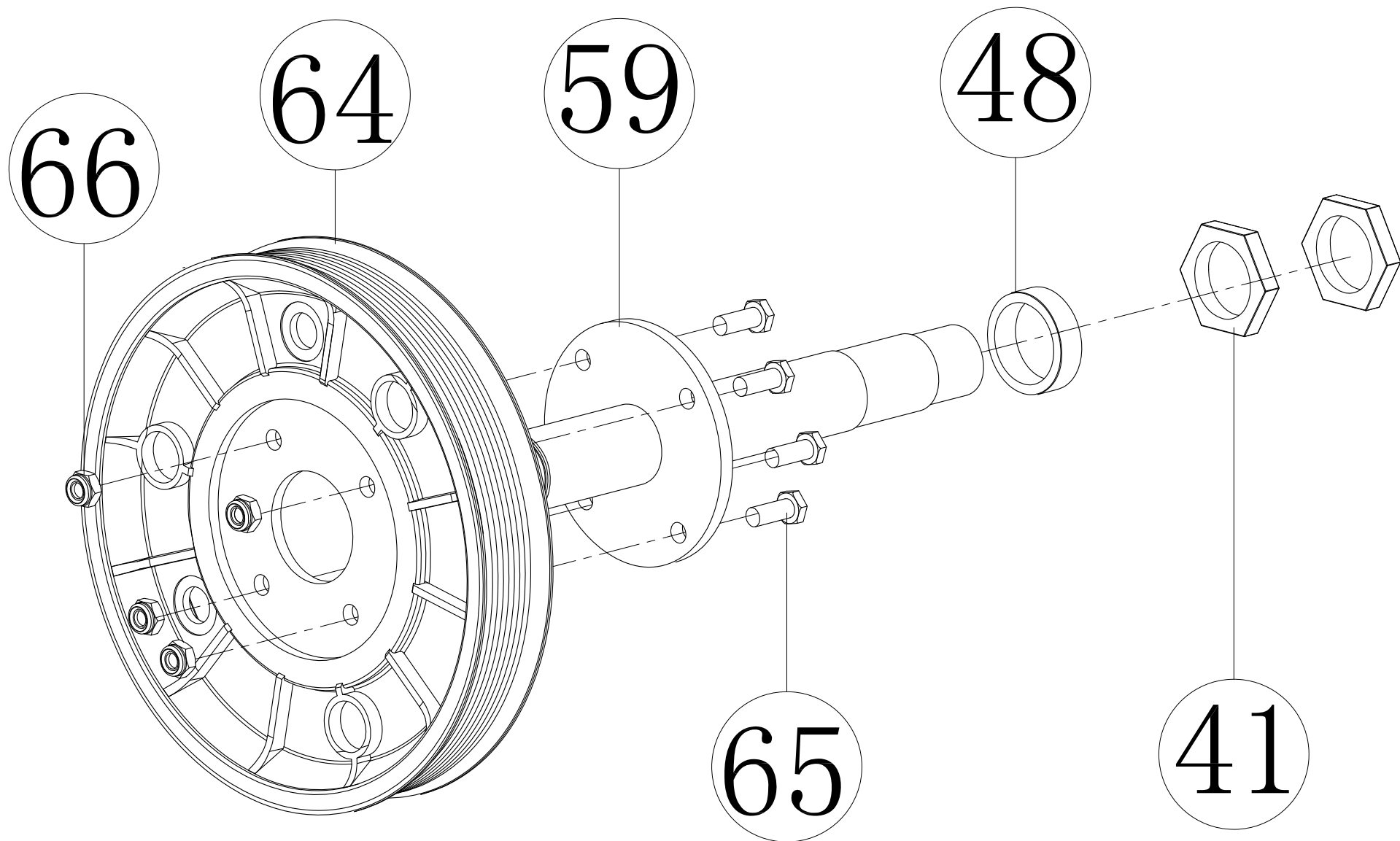
A10 Chain cover set



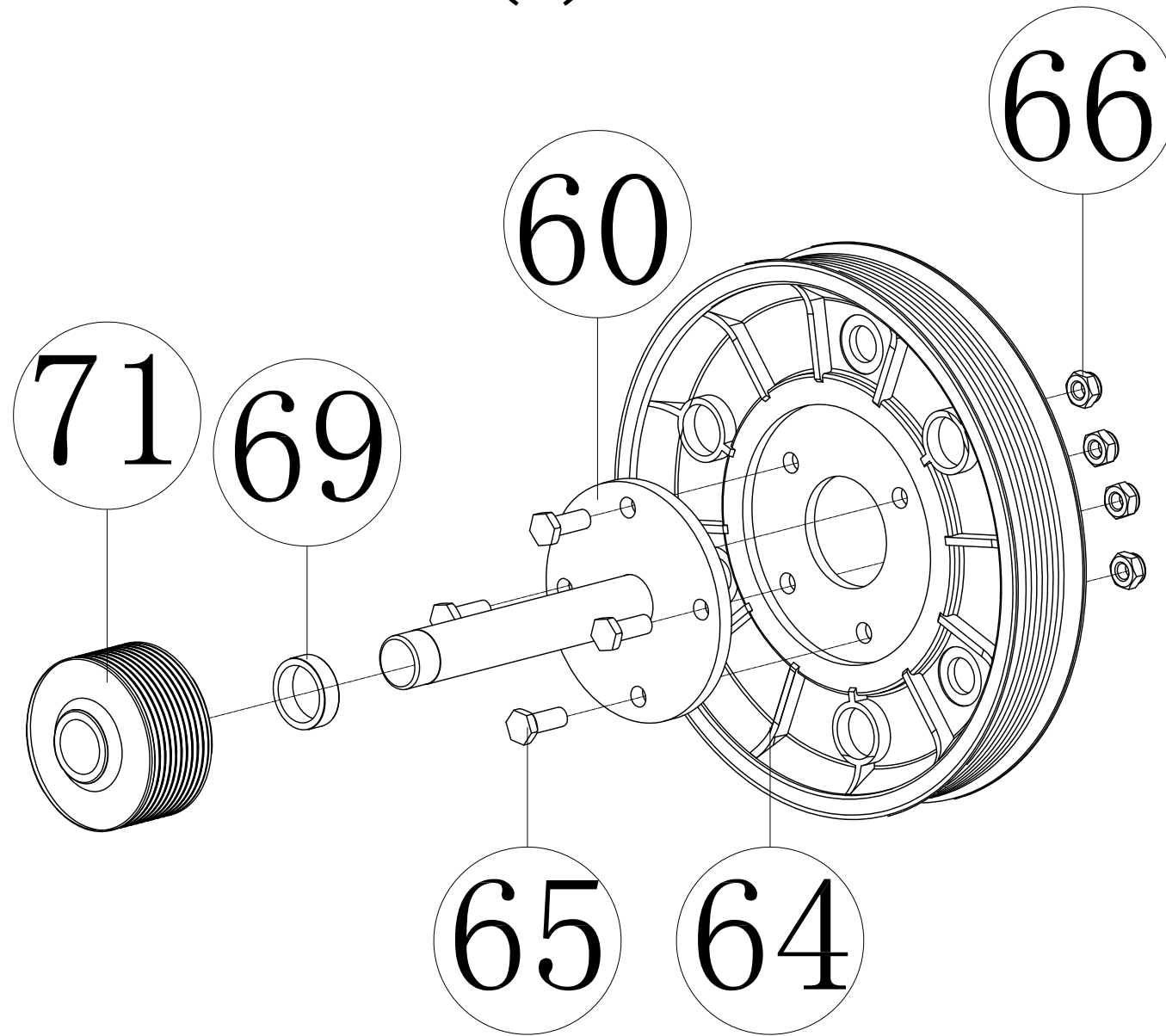
A11 idler set



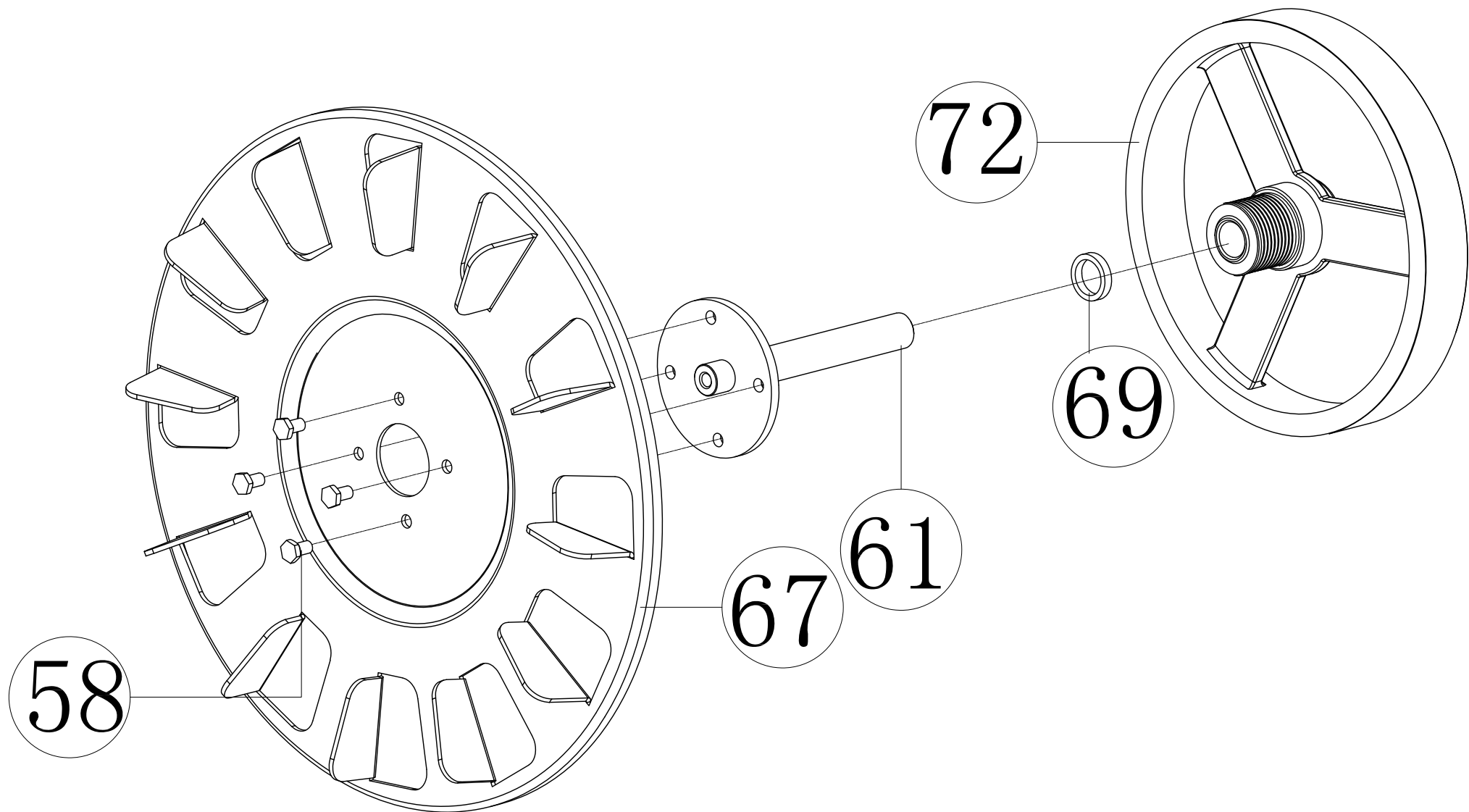
A12 crank axle set



A13 Transmission unit (1)

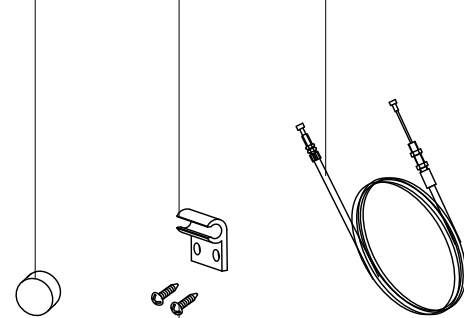


A14 Transmission unit(2)

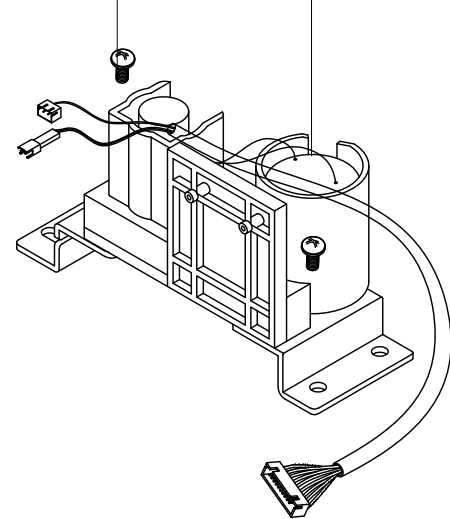


A15 cable set

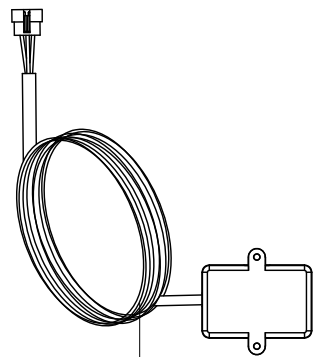
116 126 120



124 118



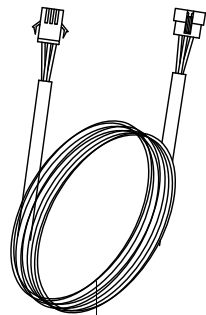
93



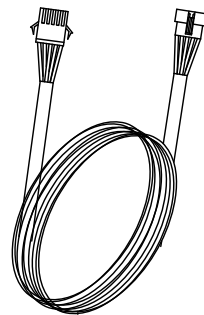
88



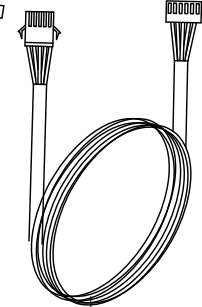
112



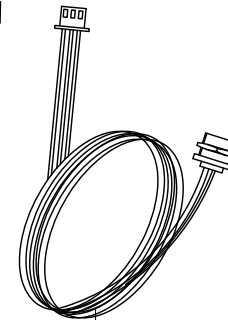
89



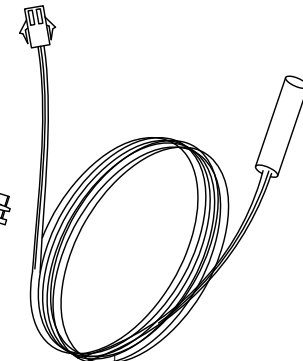
113



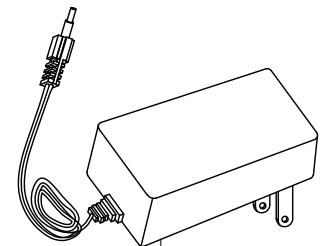
114



125



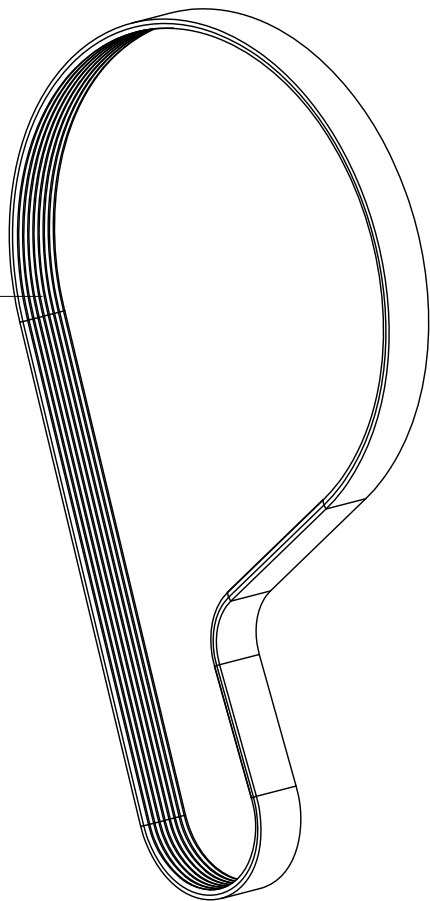
115



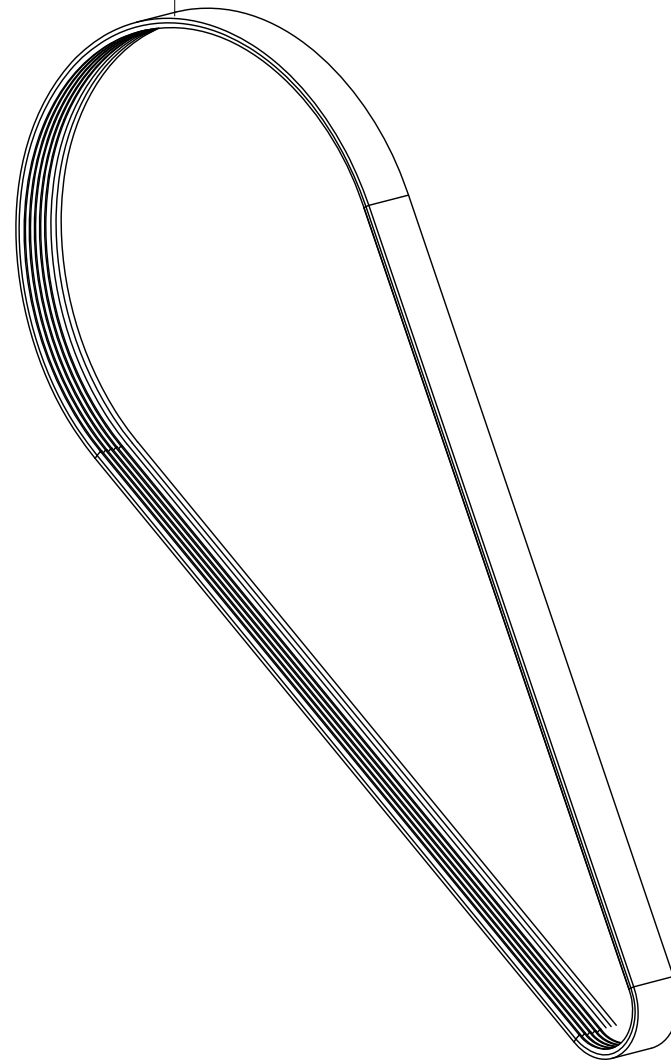
119

A16 Belt set

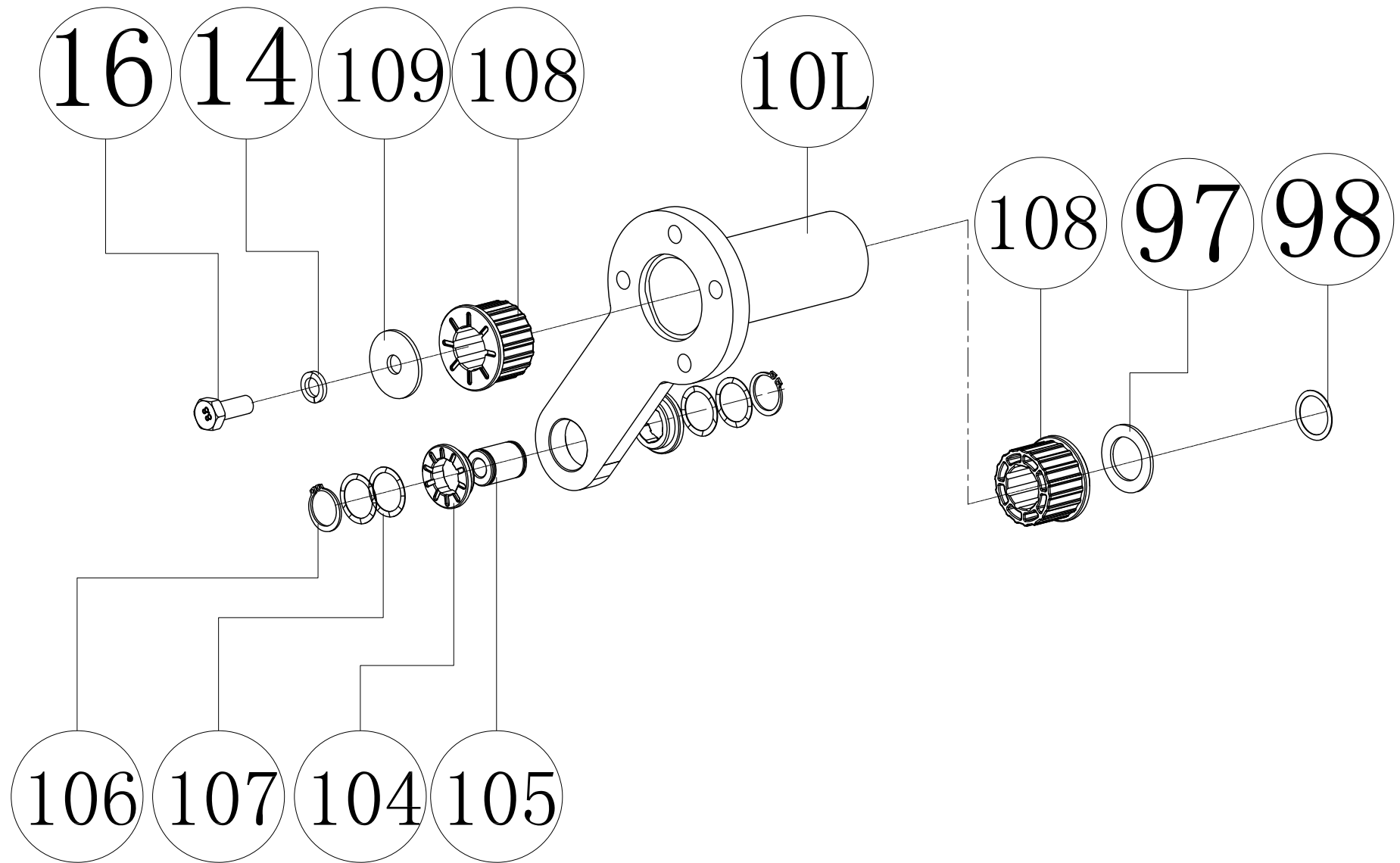
62



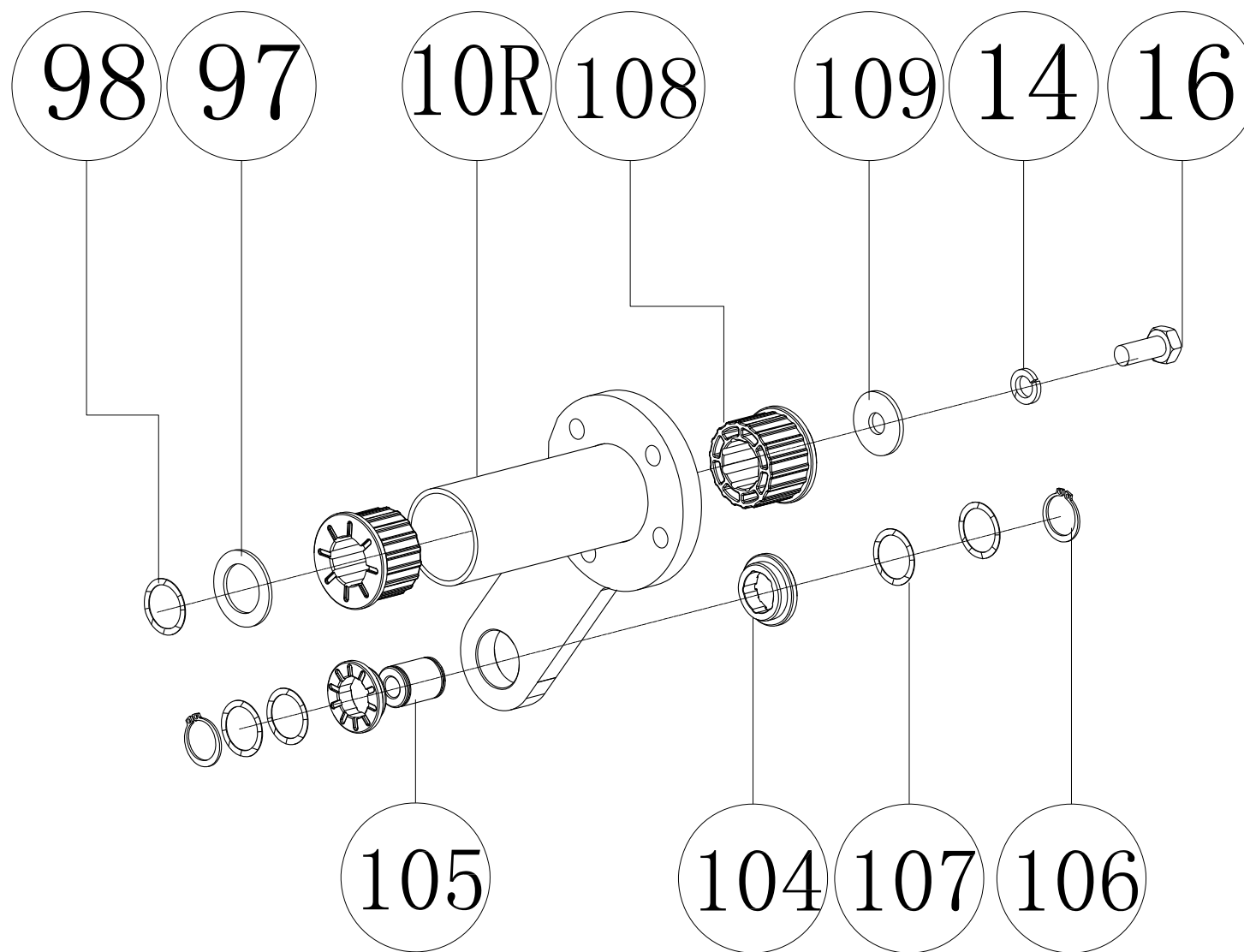
63



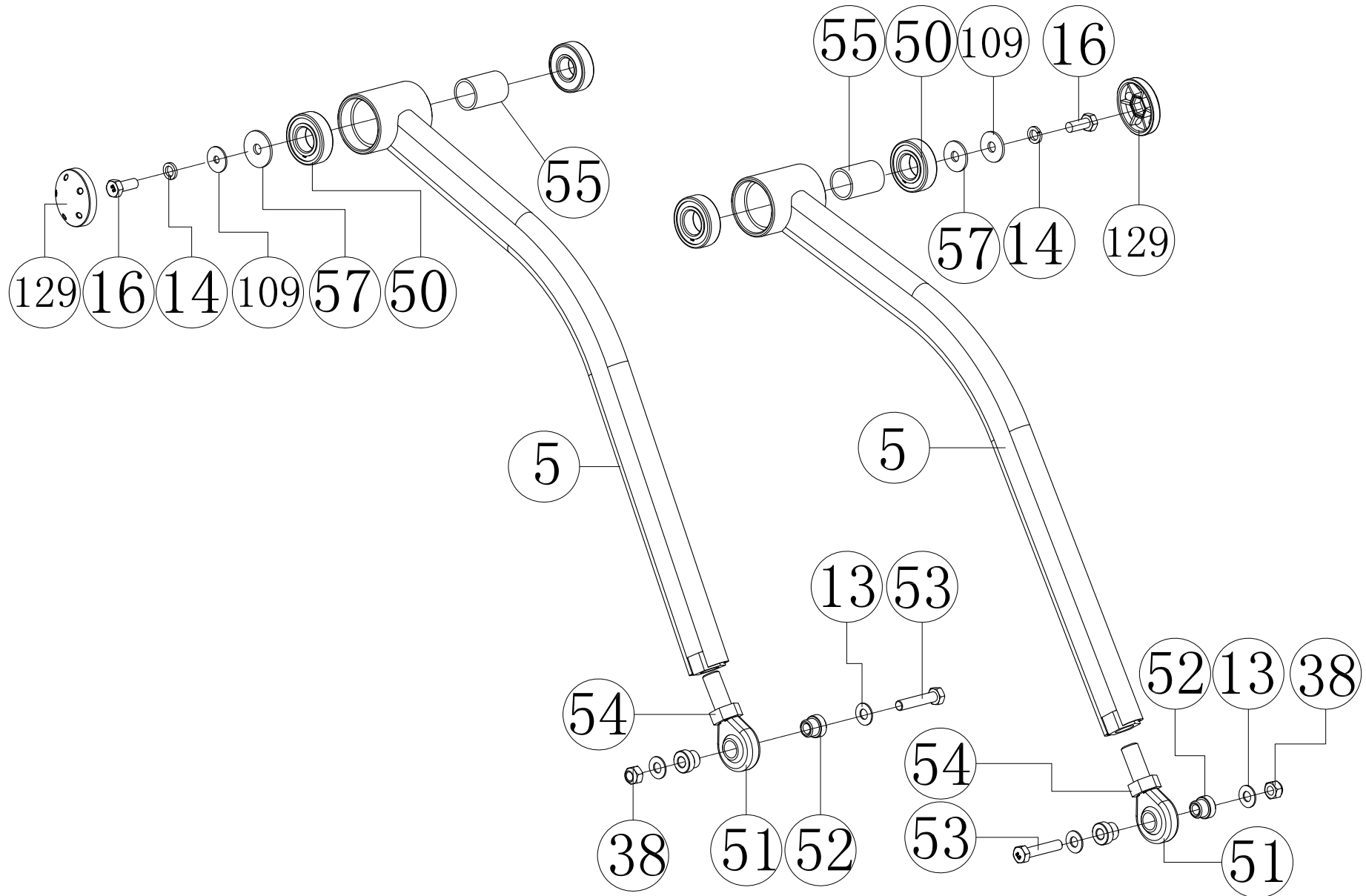
A17 Swing head fixed base welding set(L)



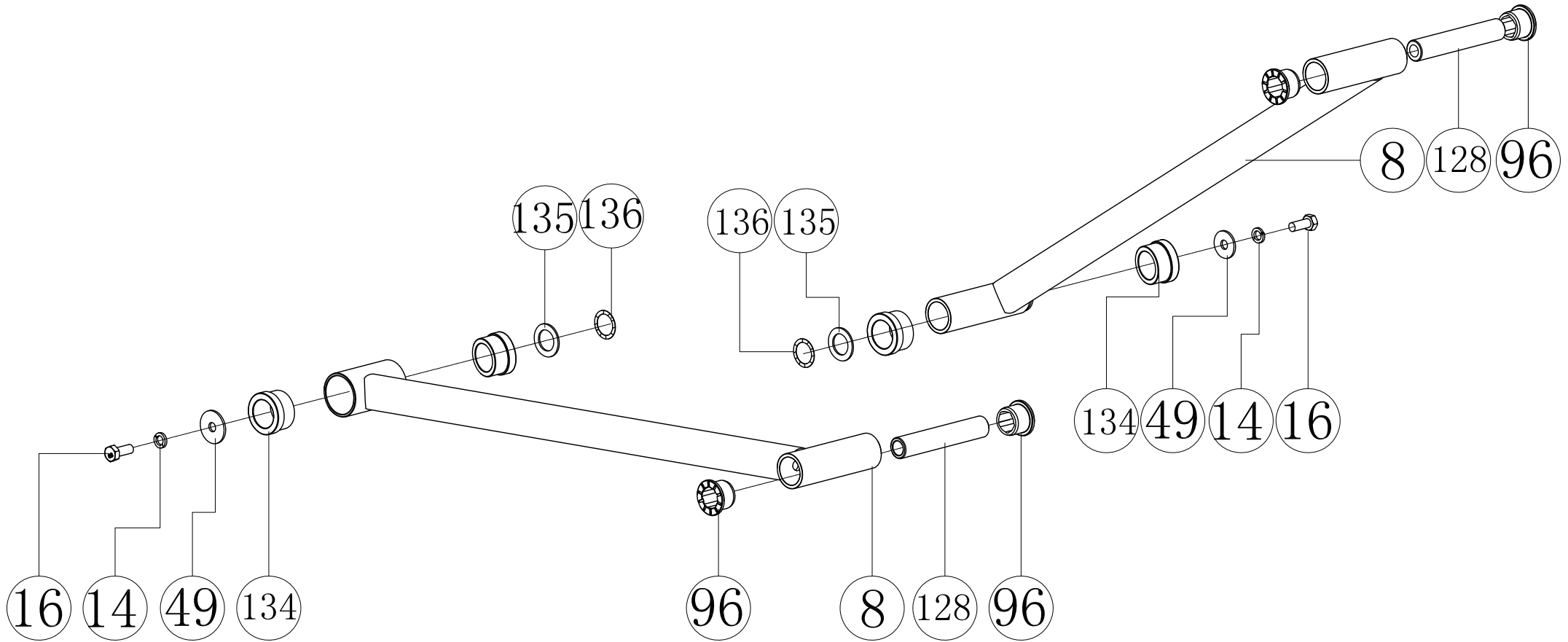
A18 Swing head fixed base welding set(R)



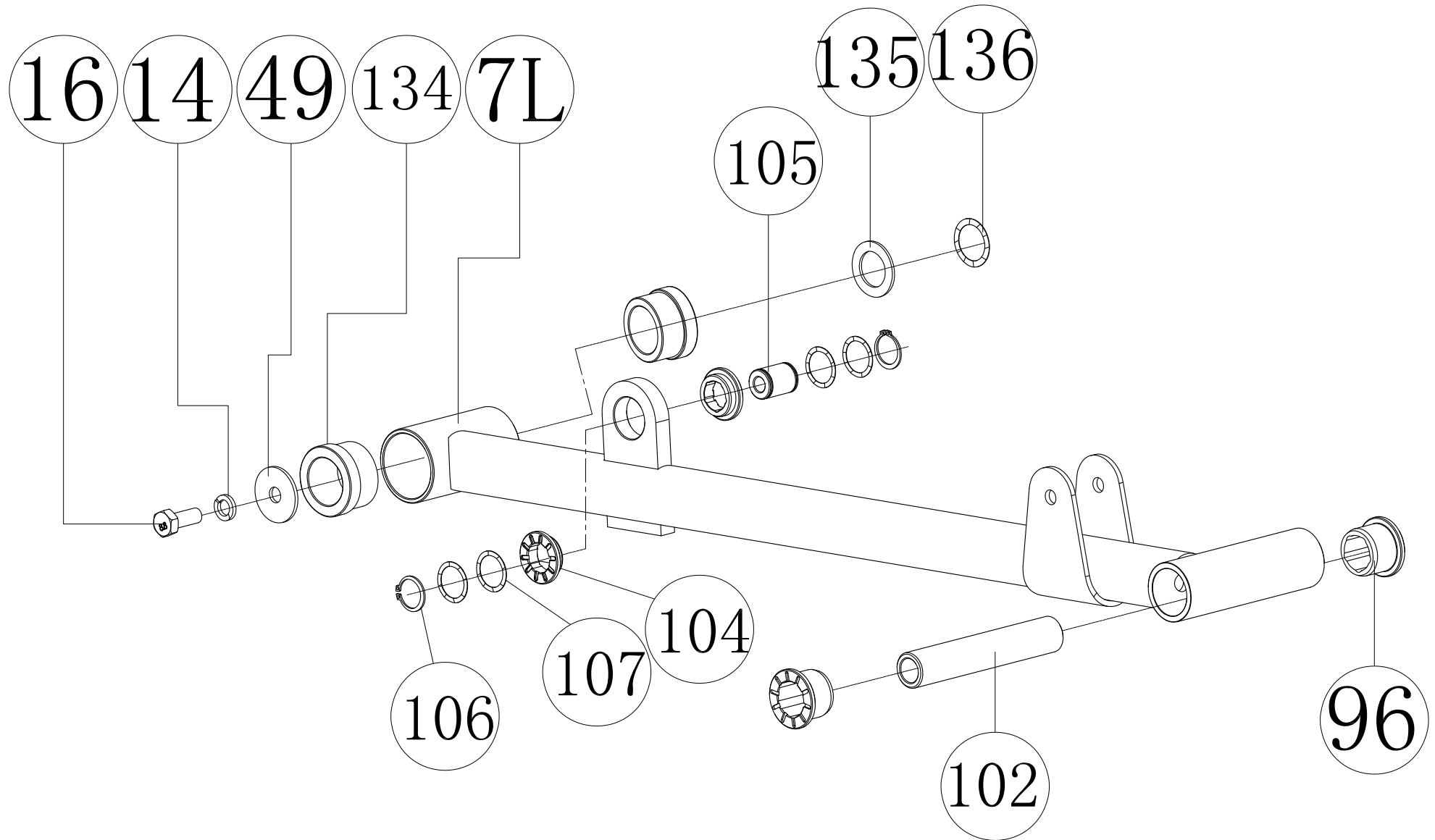
A19 Crank extended rod set



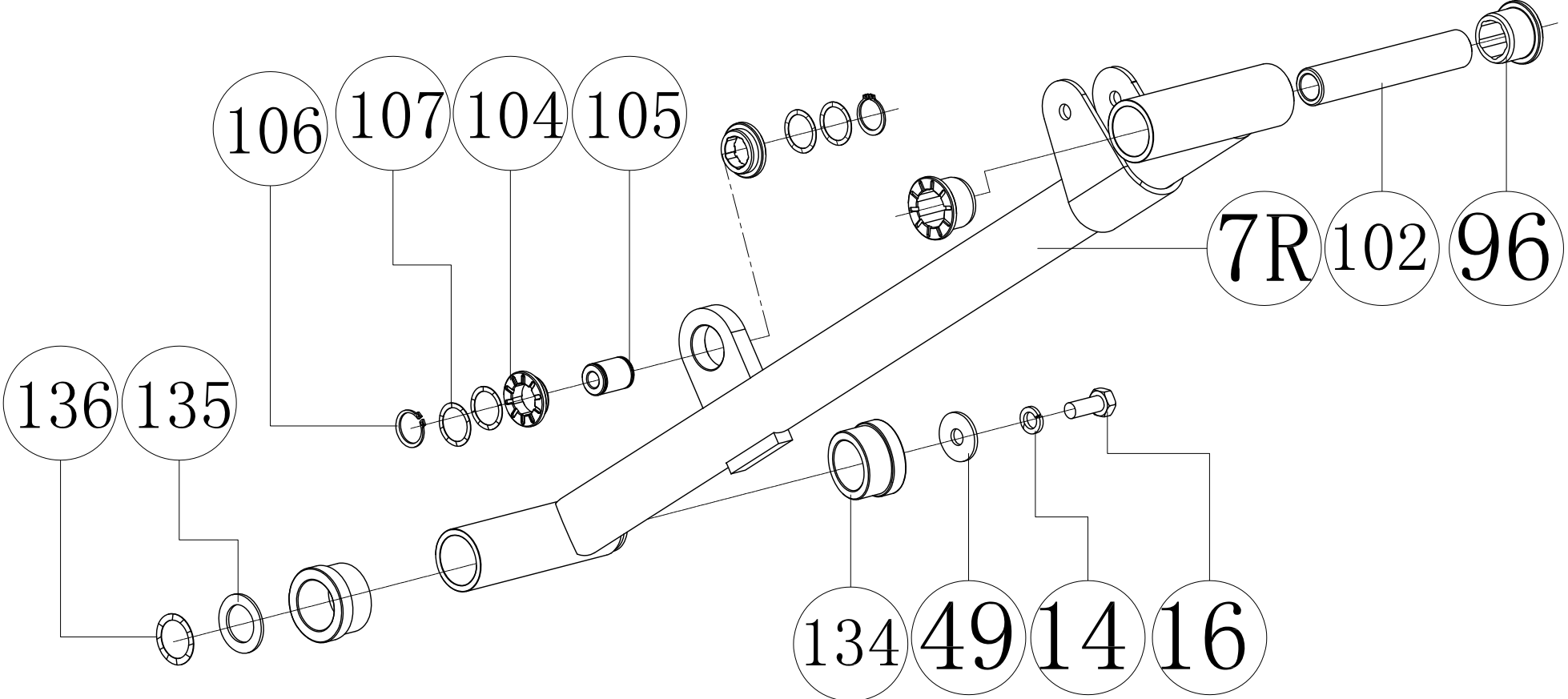
A20 Supporting tube set for pedal



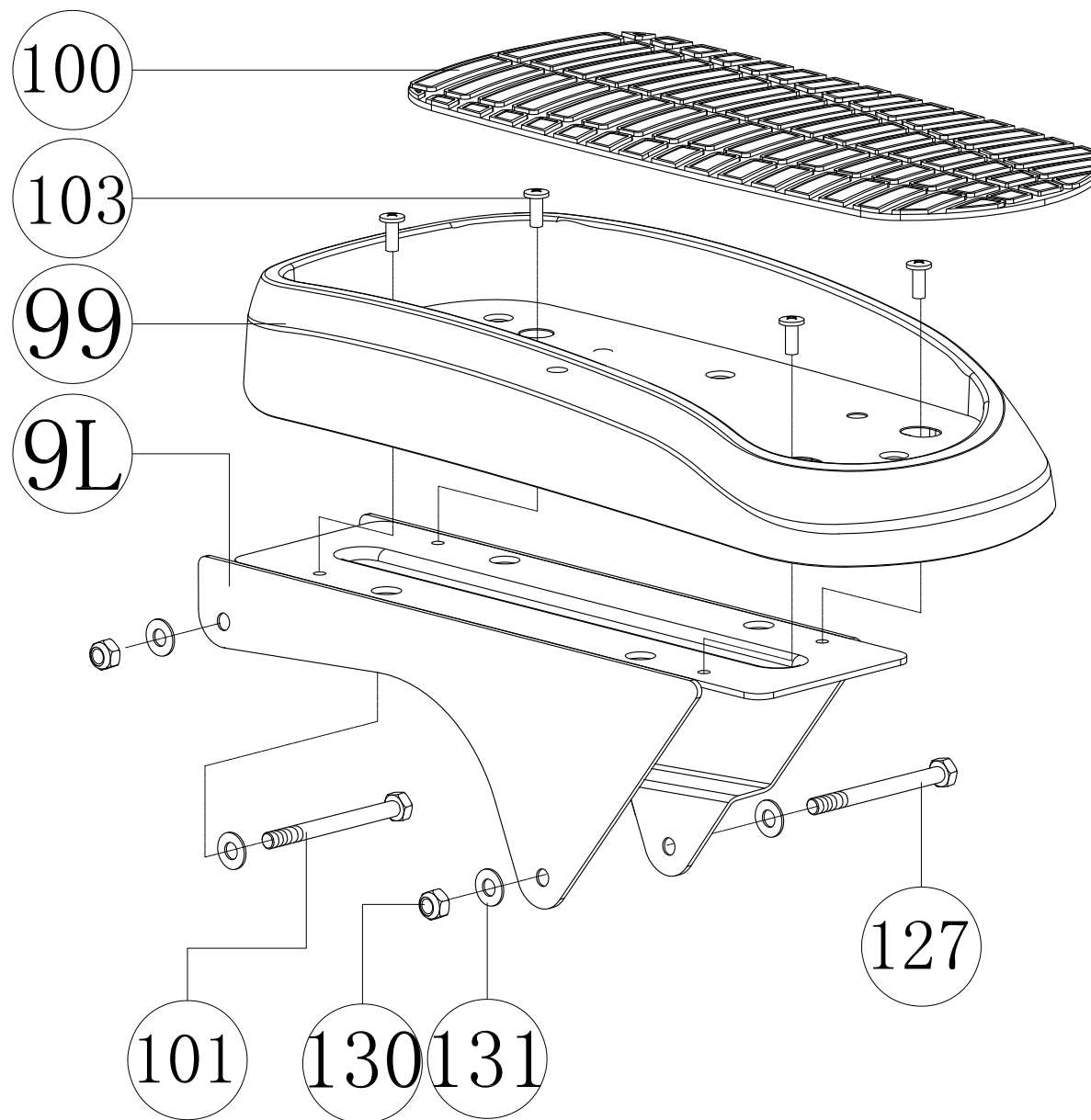
A21 Bracket set for left pedal



A22 Bracket set for right pedal



A23 Left fixing bracket set for pedal



A24 Right fixing bracket set for pedal

