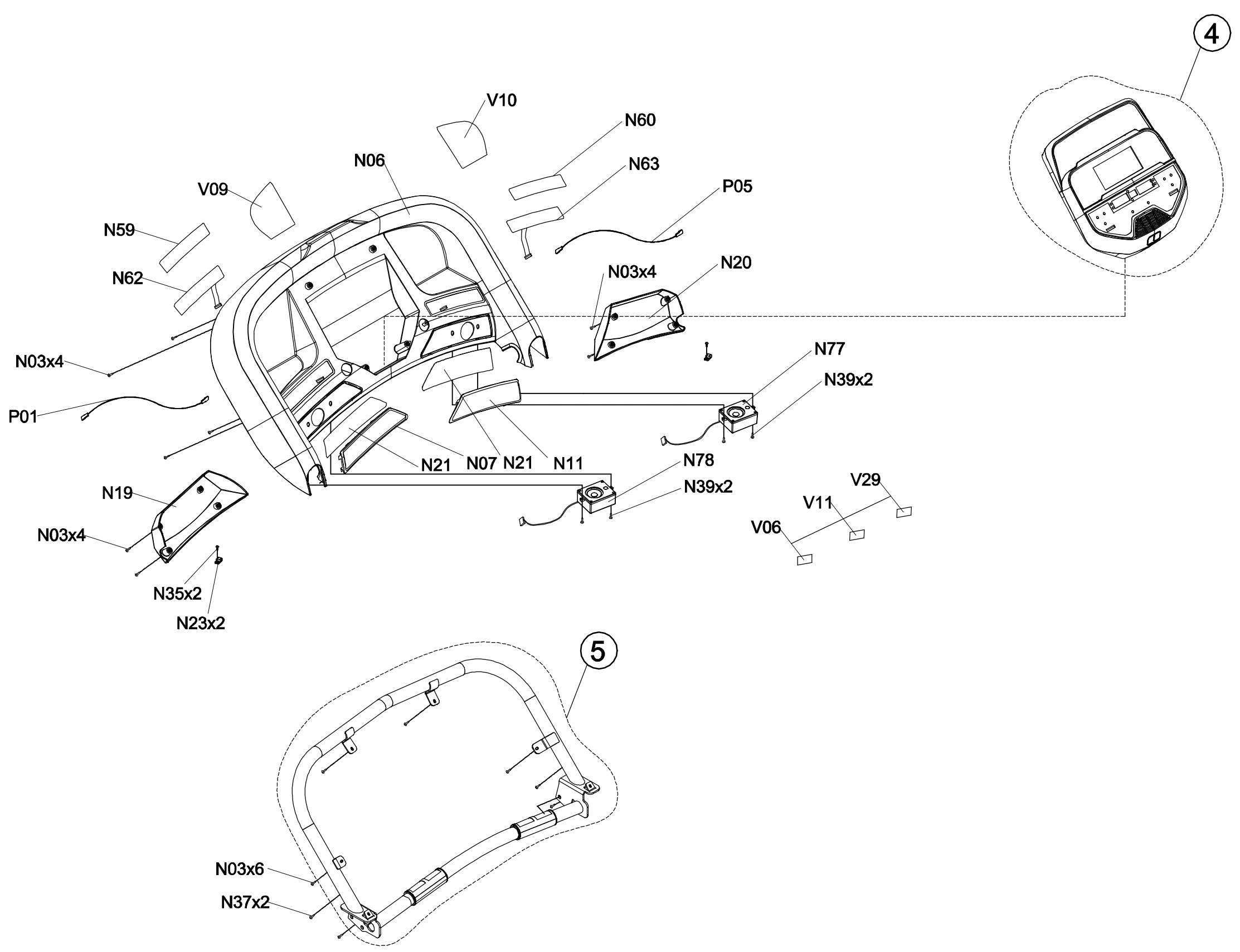
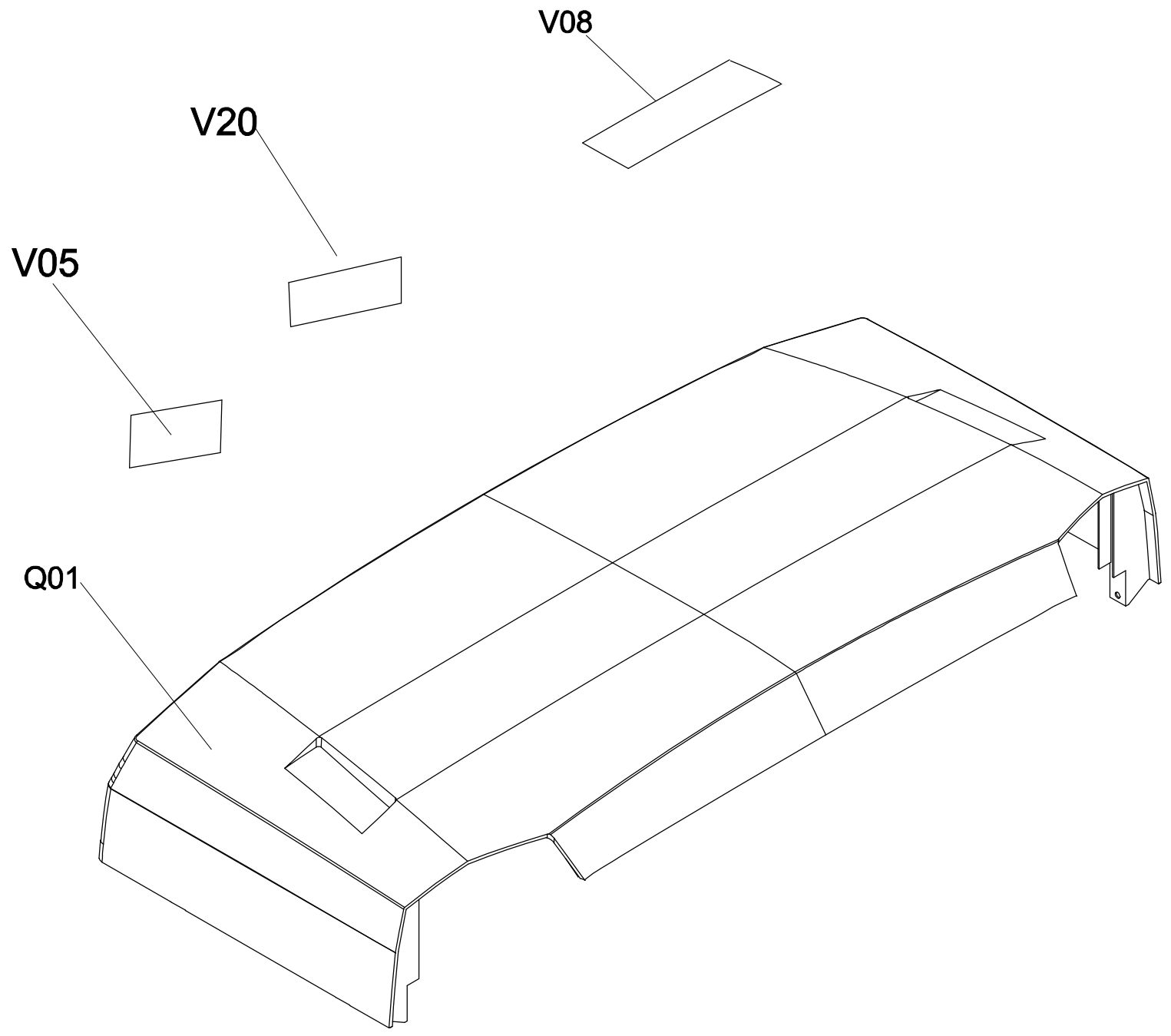




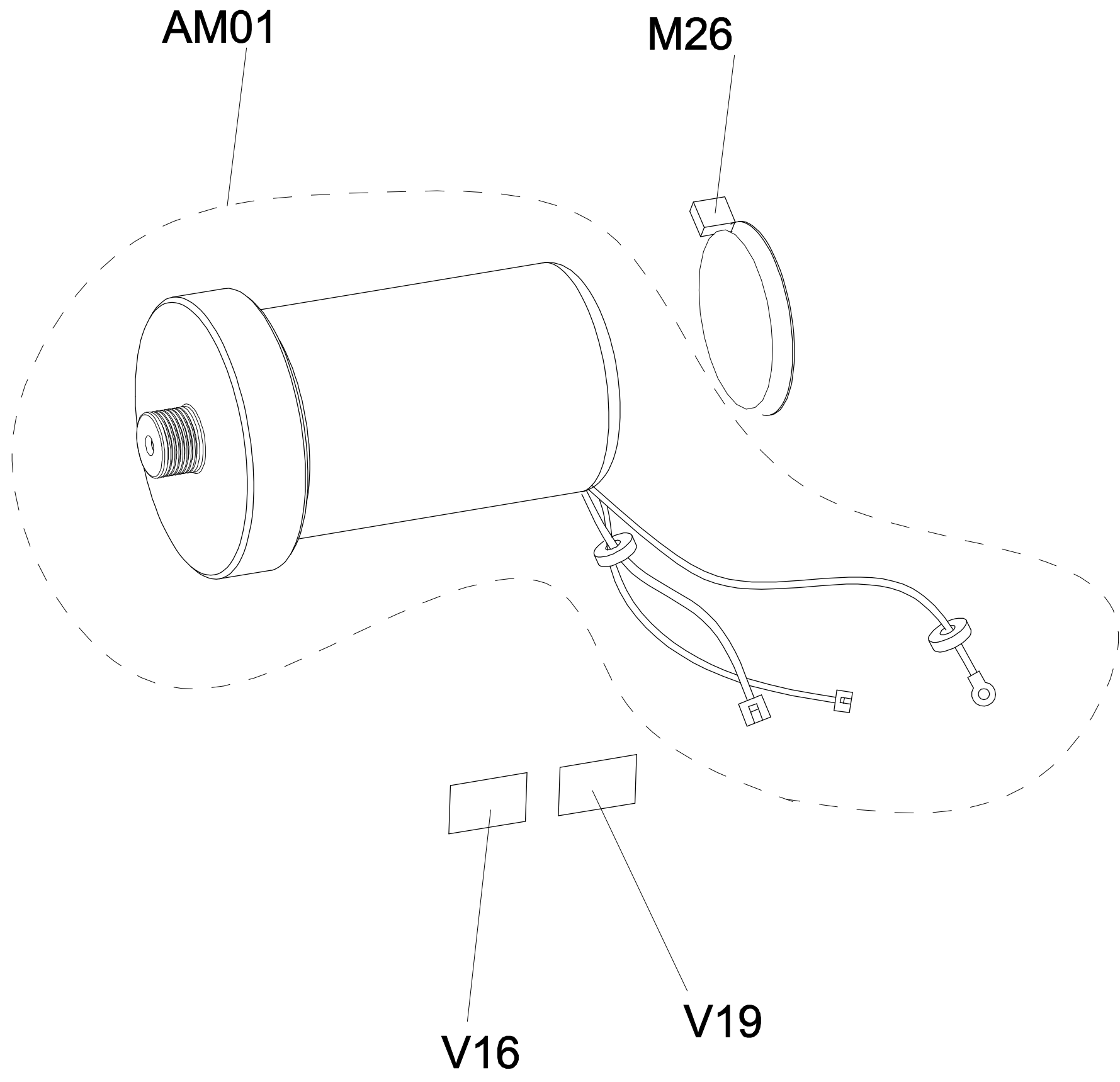
DRAWING NO	TM761-A13		
PART NAME	Console set		
PART NO	1000444633	REV	A
APPROVE	LIXIANMING	DATE	2019.08.29



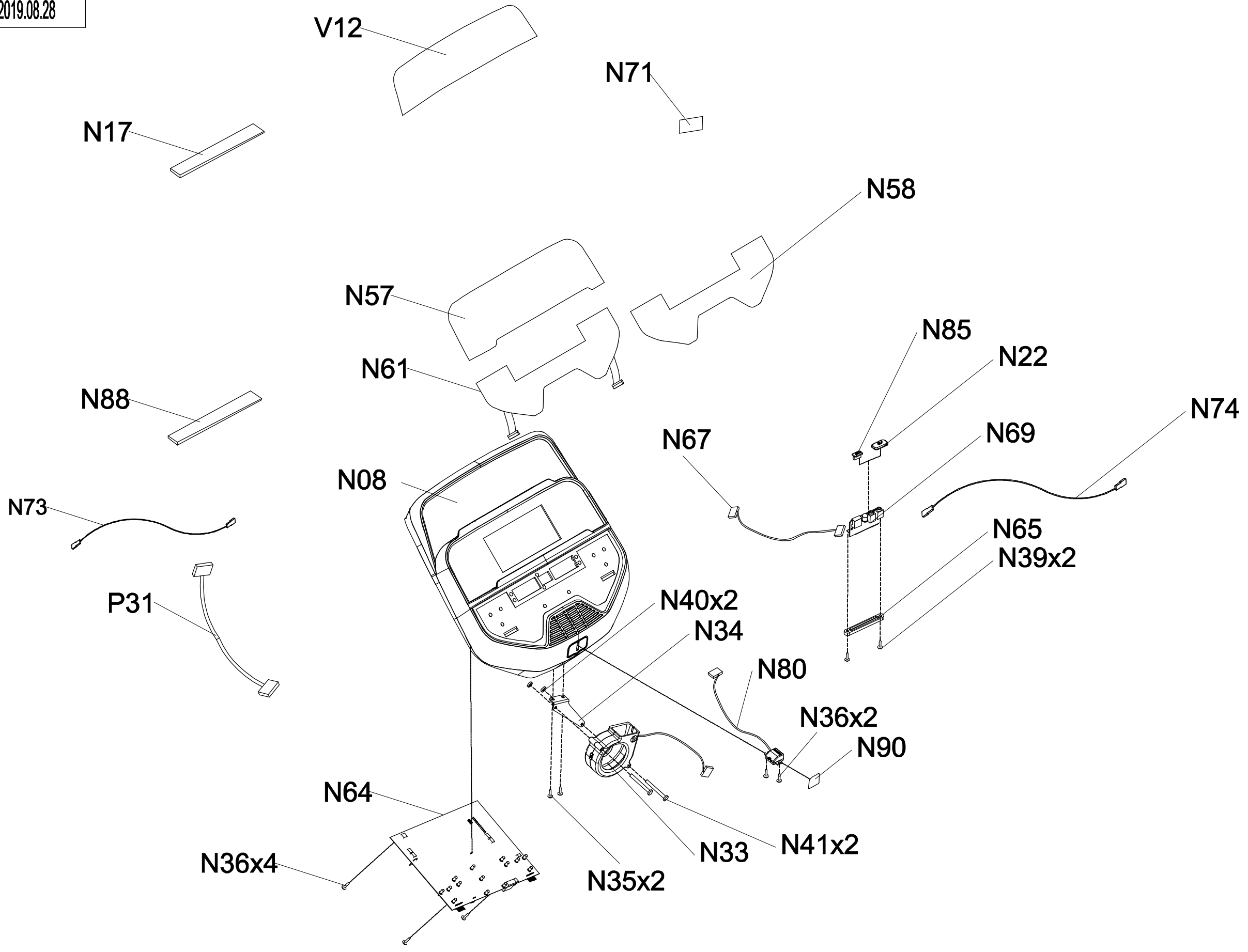
DRAWING NO	TM761-A15		
PART NAME	Motor Cover Set		
PART NO	1000444632	REV	A
APPROVE	LIXIANMING	DATE	2019.08.28



DRAWING NO	TM761-A12		
PART NAME	Motor set		
PART NO	1000444629	REV	A
APPROVE	LIXIANMING	DATE	2019.08.28



DRAWING NO	TM761-A14		
PART NAME	CONSOLE UPPER SET		
PART NO	1000444635	REV	A
APPROVE	LIXIANMING	DATE	2019.08.28



DRAWING NO	TM761-A16		
PART NAME	Console Base Set		
PART NO	1000444636	REV	A
APPROVE	LIXIANMING	DATE	2019.08.28

