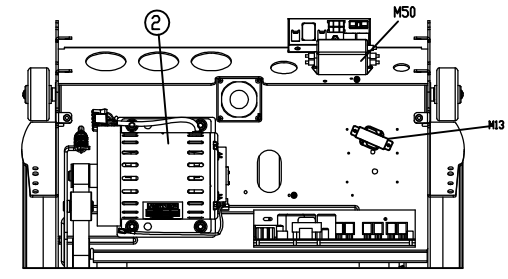
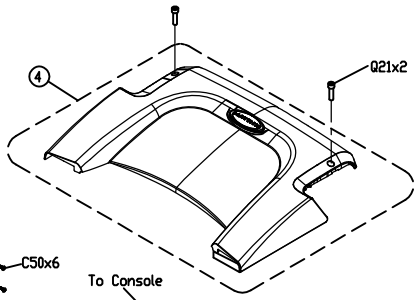
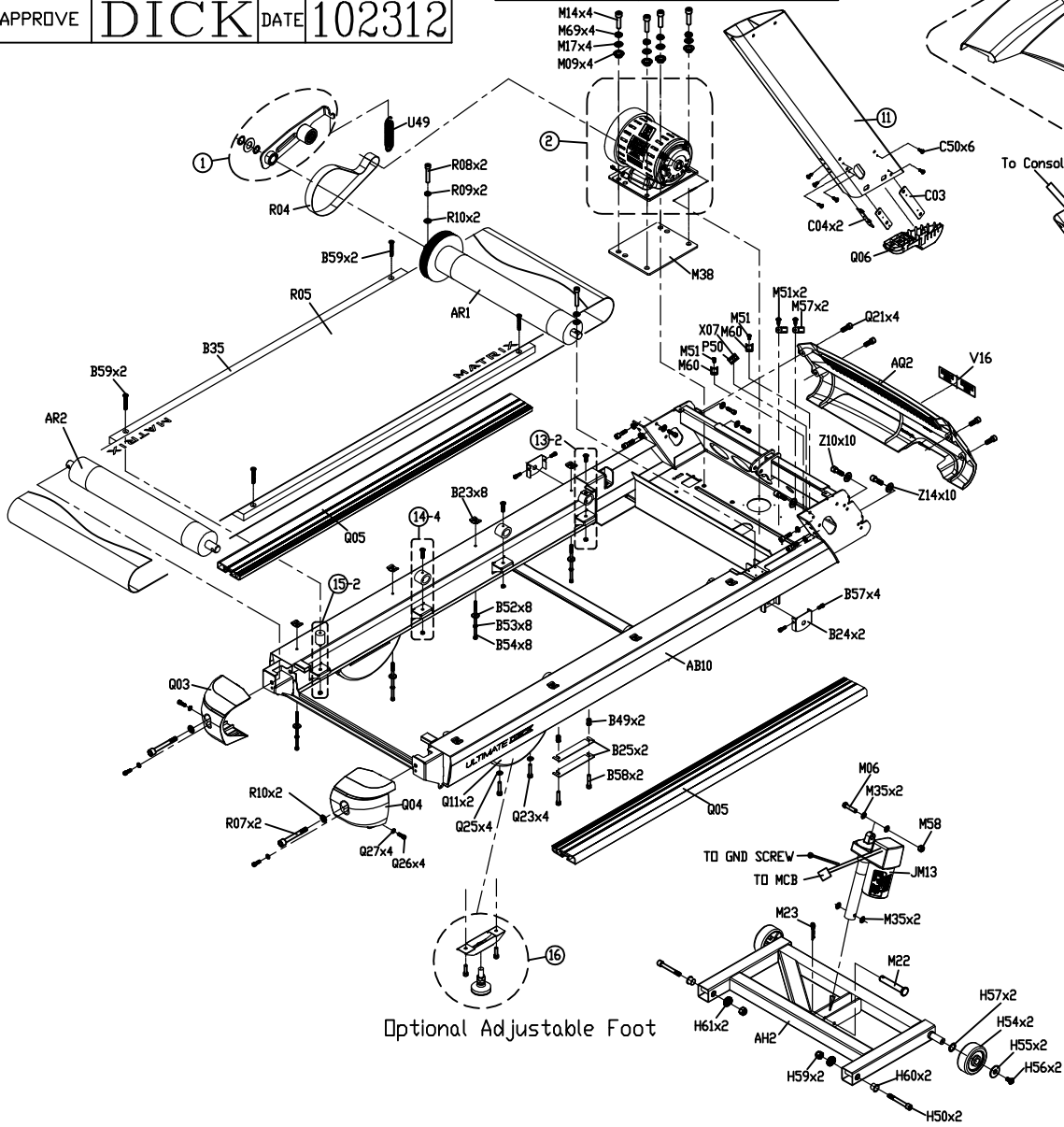
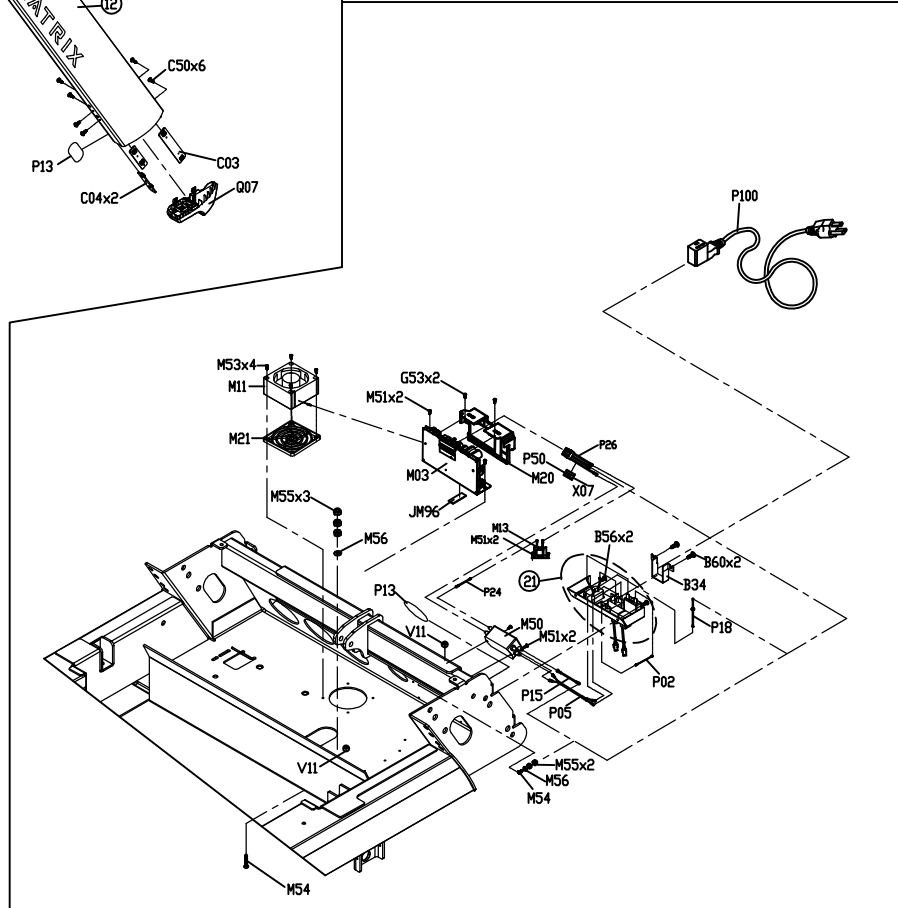


| | |
|------------|--------------------------|
| DRAWING NO | TM501E-A24 |
| PART NAME | Explosive Rendering Farm |
| PART NO | 1000218466 |
| APPROVE | DICK DATE 102312 |

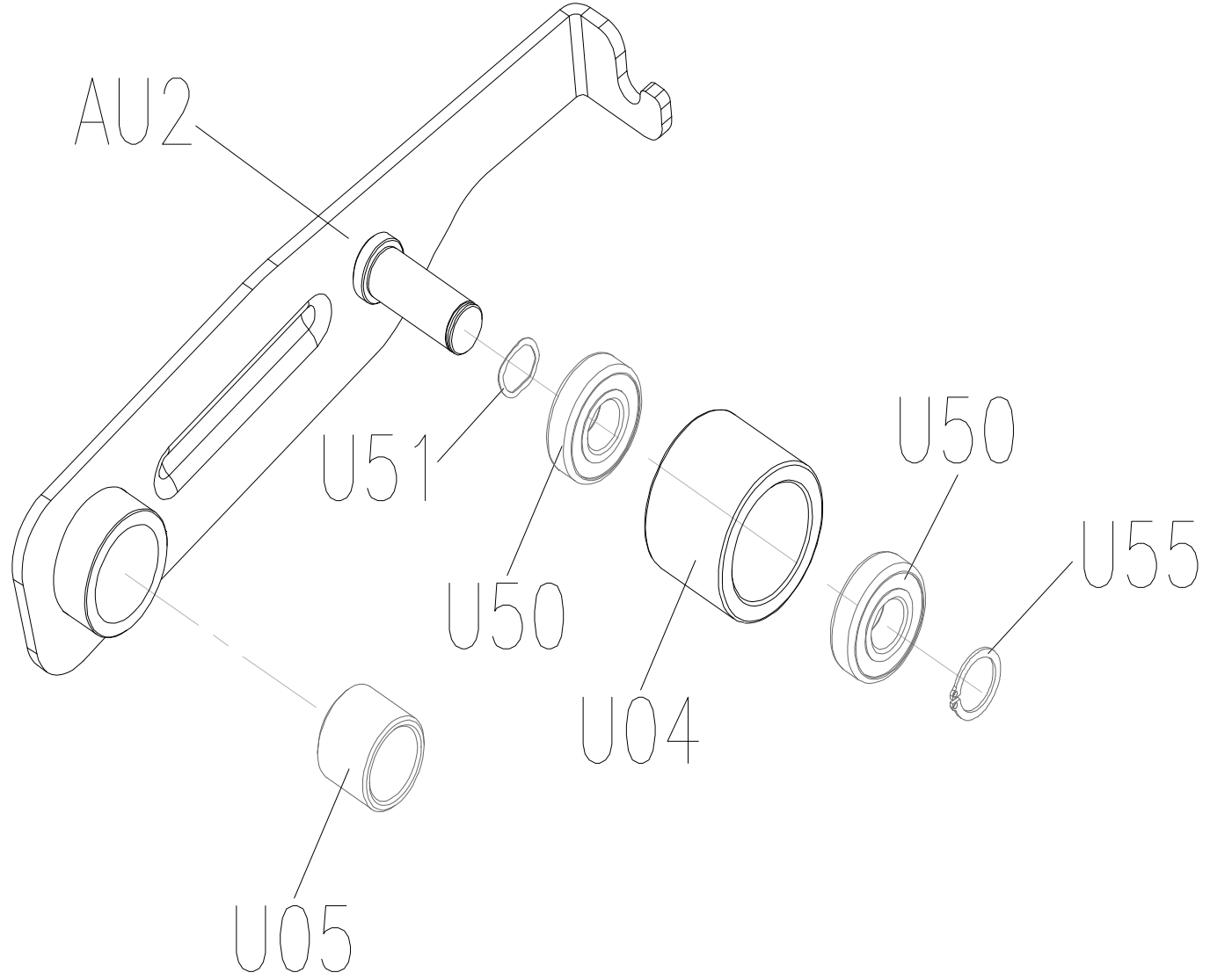
| SAP NO. | Model Name |
|------------|------------------|
| MTM0260-00 | T-5x-03-F/2KM |
| MTM0329-00 | T-5x-03-F/2KM |
| MTM0343-00 | T-5X/7X-04-F/2KM |



Top View of Electrical Components

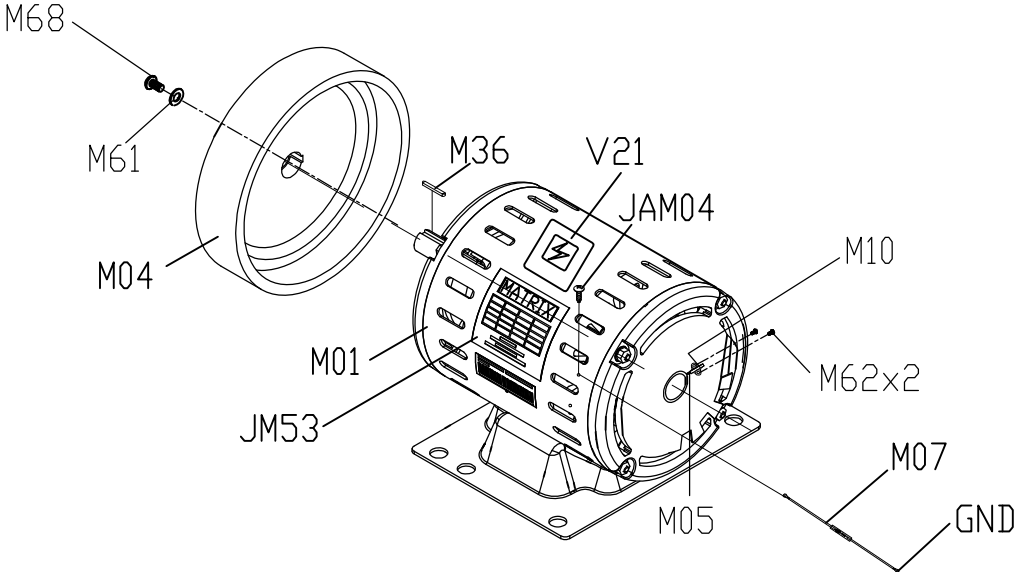


Detail View of Electrical Components

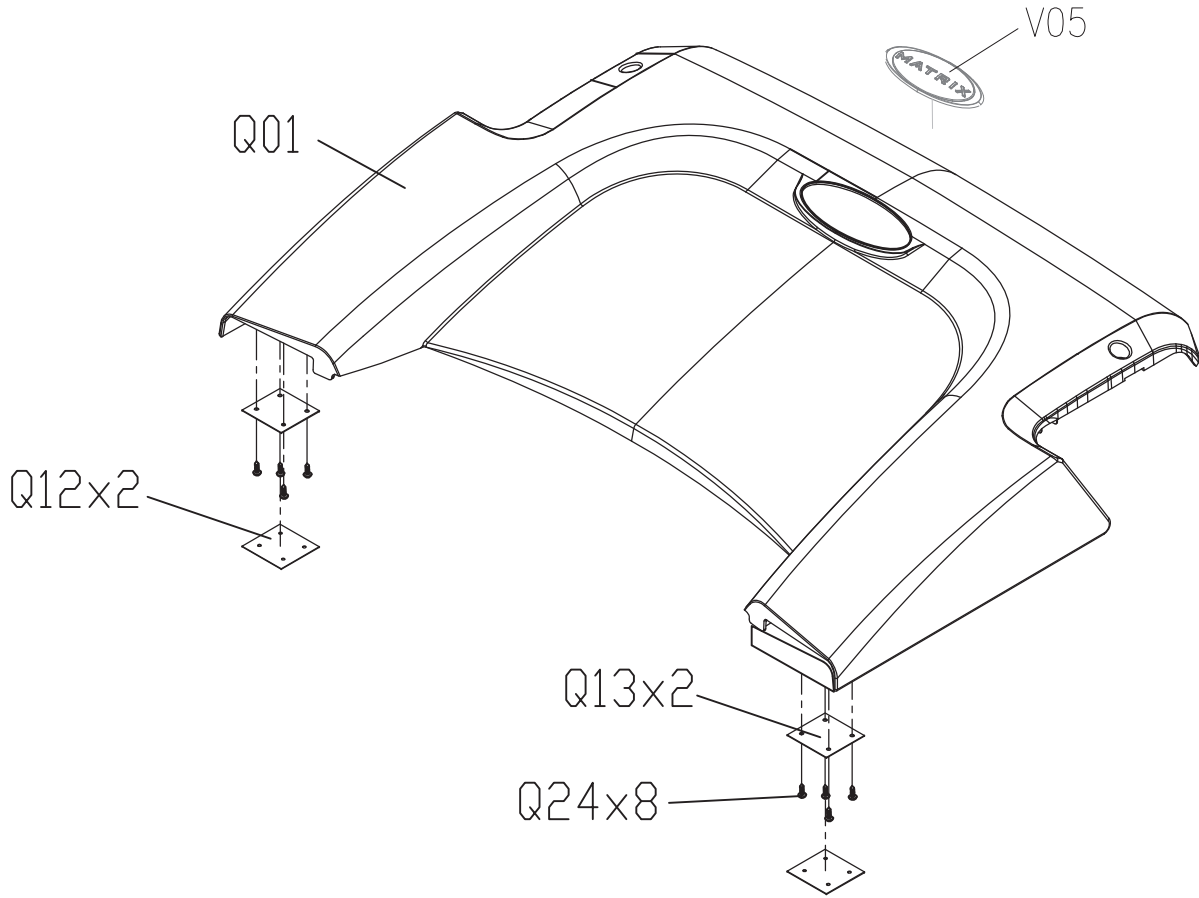


| | | | |
|------------|------------|------|--------|
| DRAWING NO | TM501G-AM1 | | |
| PART NAME | Motor Set | | |
| PART NO | 1000302210 | | |
| APPROVE | SHUYI | DATE | 022313 |

Notes :
 Deviation :under 0.4mm

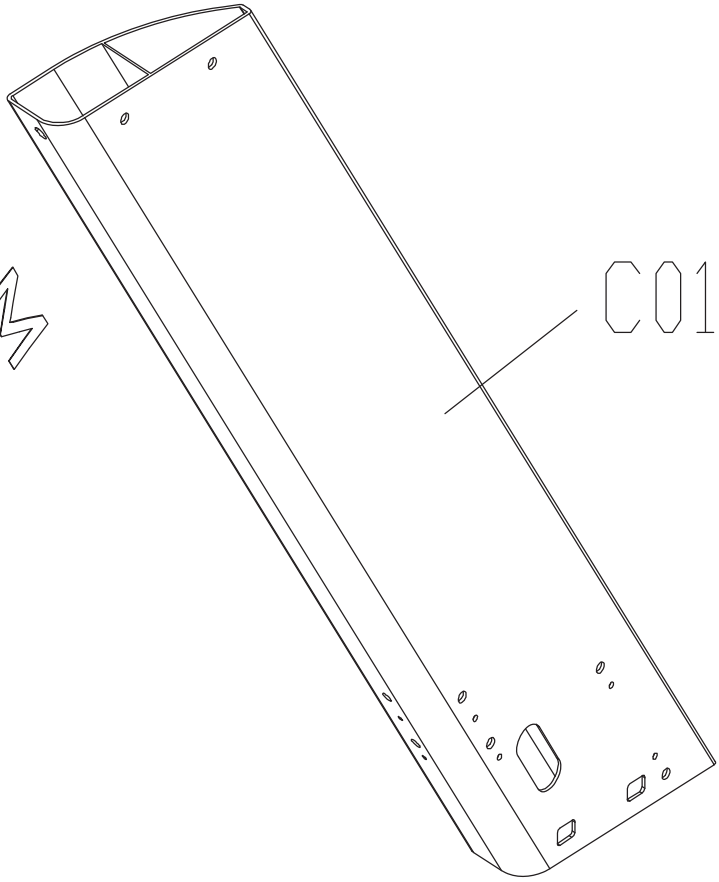


| | | | |
|------------|-----------------|------|--------|
| DRAWING NO | TM501-AQ11 | | |
| PART NAME | Motor Cover Set | | |
| PART NO | 0000088989 | | |
| APPROVE | SHUYI | DATE | 100411 |

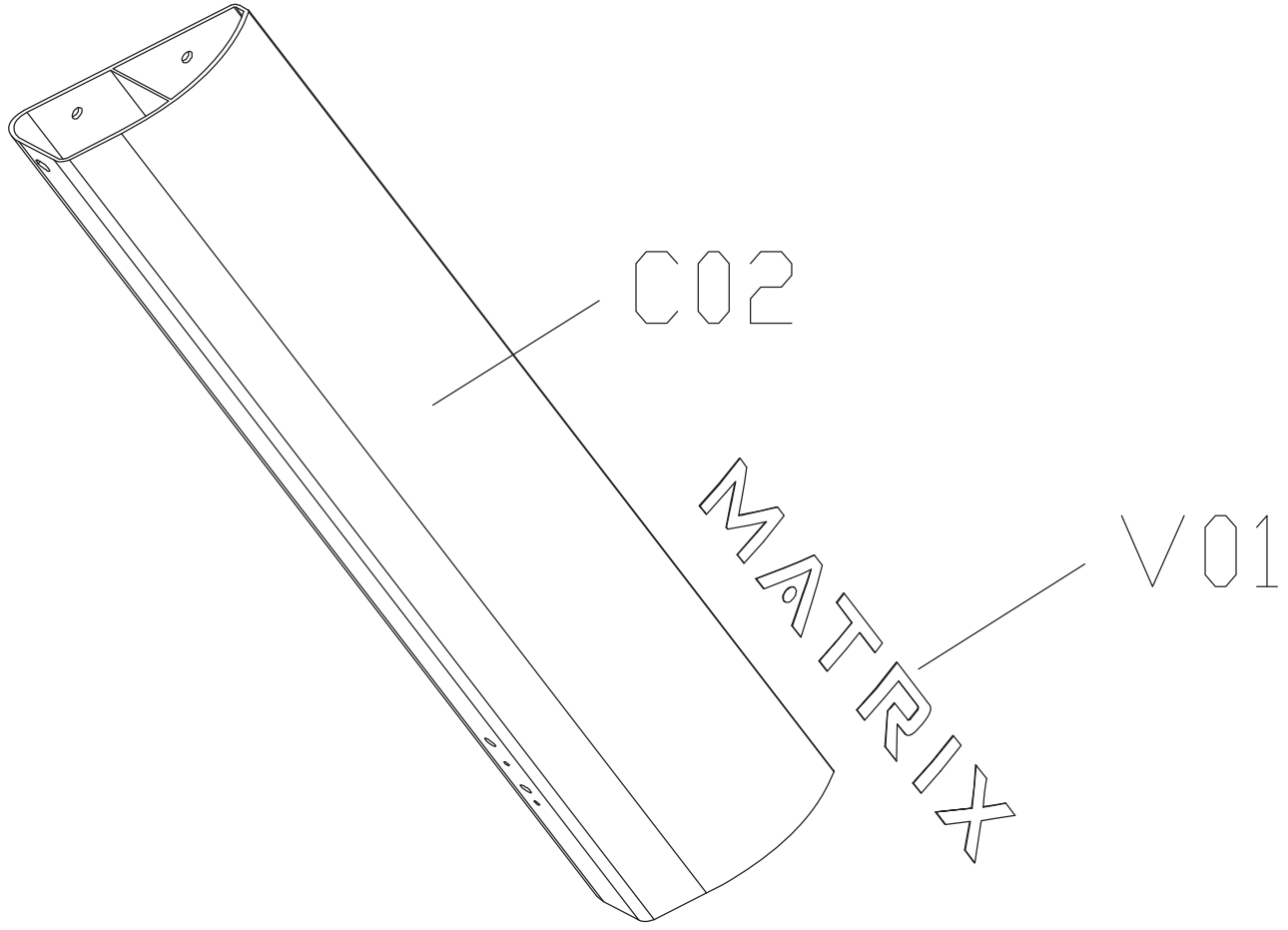


| | |
|---------------------------|-------------------|
| DRAWING NO 圖號 | TM501-AC1 |
| PART NAME(CH) 零件名稱(中文) | 儀錶管;左 |
| PART NAME(EN) 零件名稱(英文) | Console Mast;Left |
| SAP PART NO SAP料號 | 0000084530 |

V01 - X19TAM

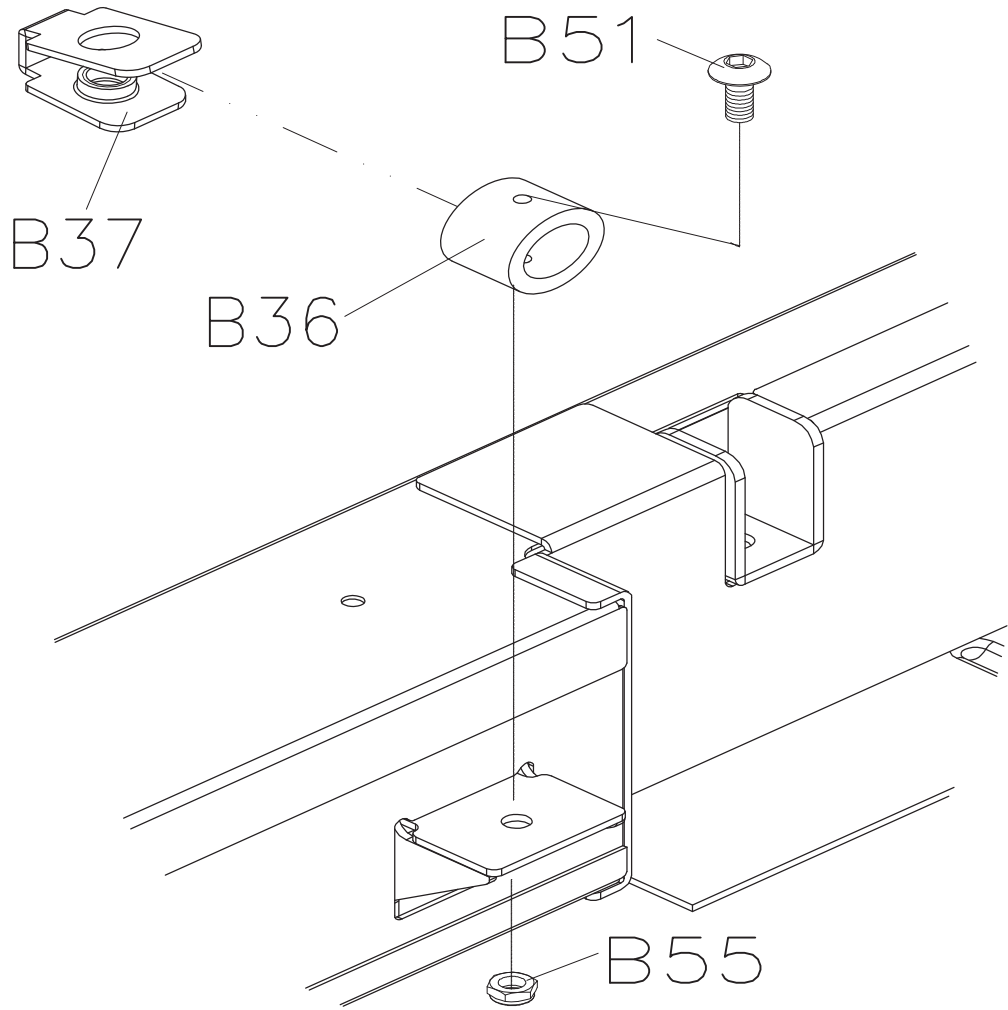


| | |
|---------------------------|--------------------|
| DRAWING NO 圖號 | TM501-AC2 |
| PART NAME(CH) 零件名稱(中文) | 儀錶管;右 |
| PART NAME(EN) 零件名稱(英文) | Console Mast;Right |
| SAP PART NO SAP料號 | 0000084540 |



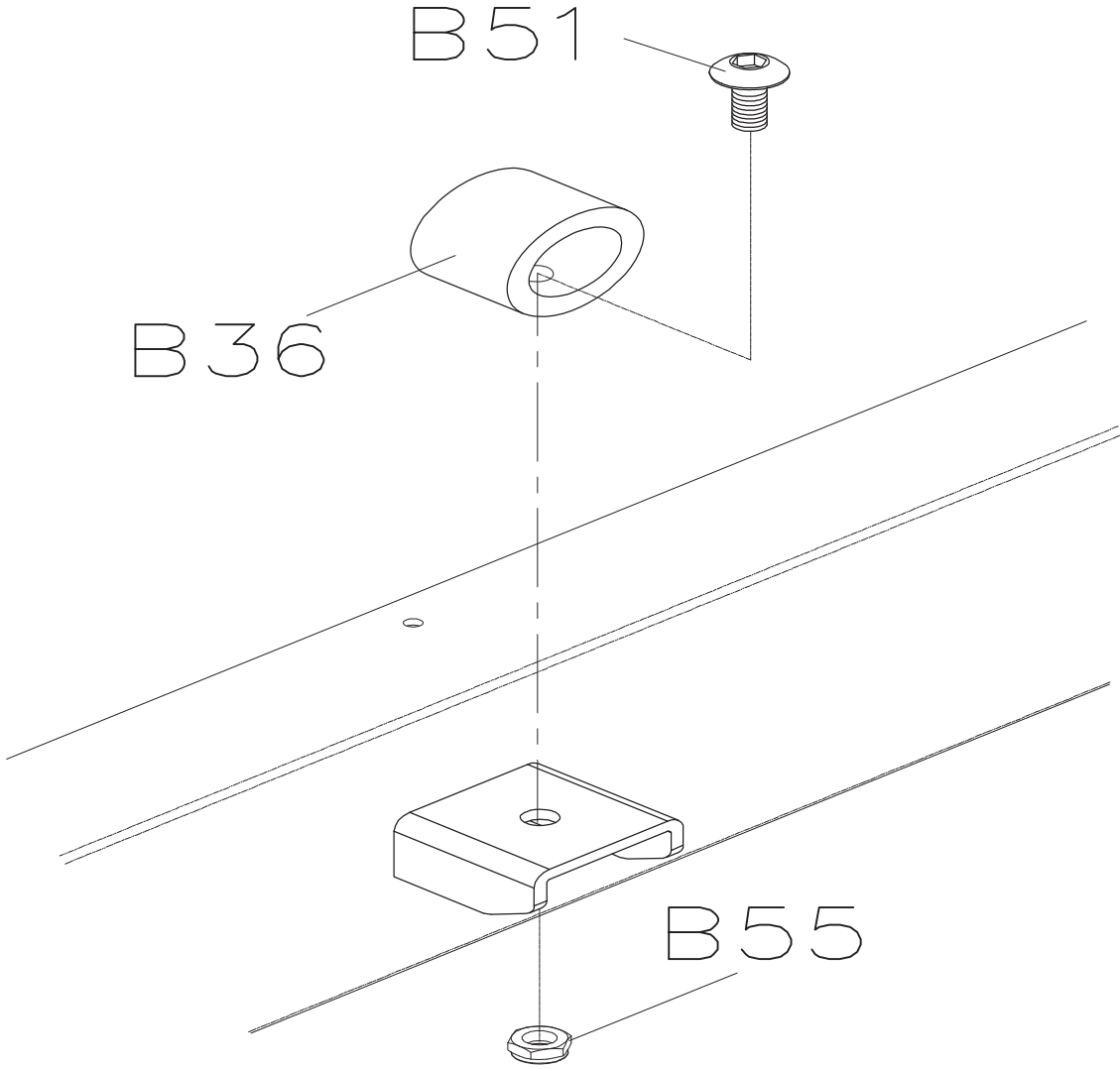
| | | | |
|------------|----------------------------------|------|--------|
| DRAWING NO | TM501-AB21 | | |
| PART NAME | Elastomer Set;Running Deck;Front | | |
| PART NO | As Attachment | | |
| APPROVE | S.T.C | DATE | 060512 |

| Part No. | Description |
|------------|-------------|
| 0000089487 | Nai Ri |
| 1000233263 | Miner |

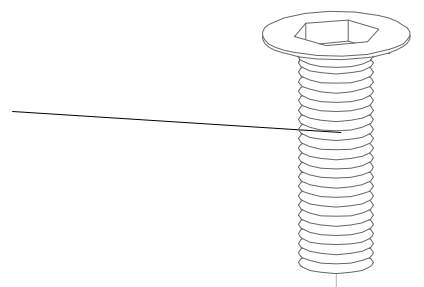


| | | | |
|------------|-----------------------------------|------|--------|
| DRAWING NO | TM501-AB22 | | |
| PART NAME | Elastomer Set;Running Deck;Middle | | |
| PART NO | As Attachment B | | |
| APPROVE | S.T.C | DATE | 060512 |

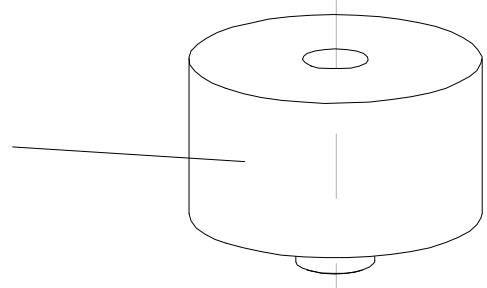
| Part No. | Description |
|------------|-------------|
| 0000089488 | Nai Ri |
| 1000233264 | Miner |



B 5 9

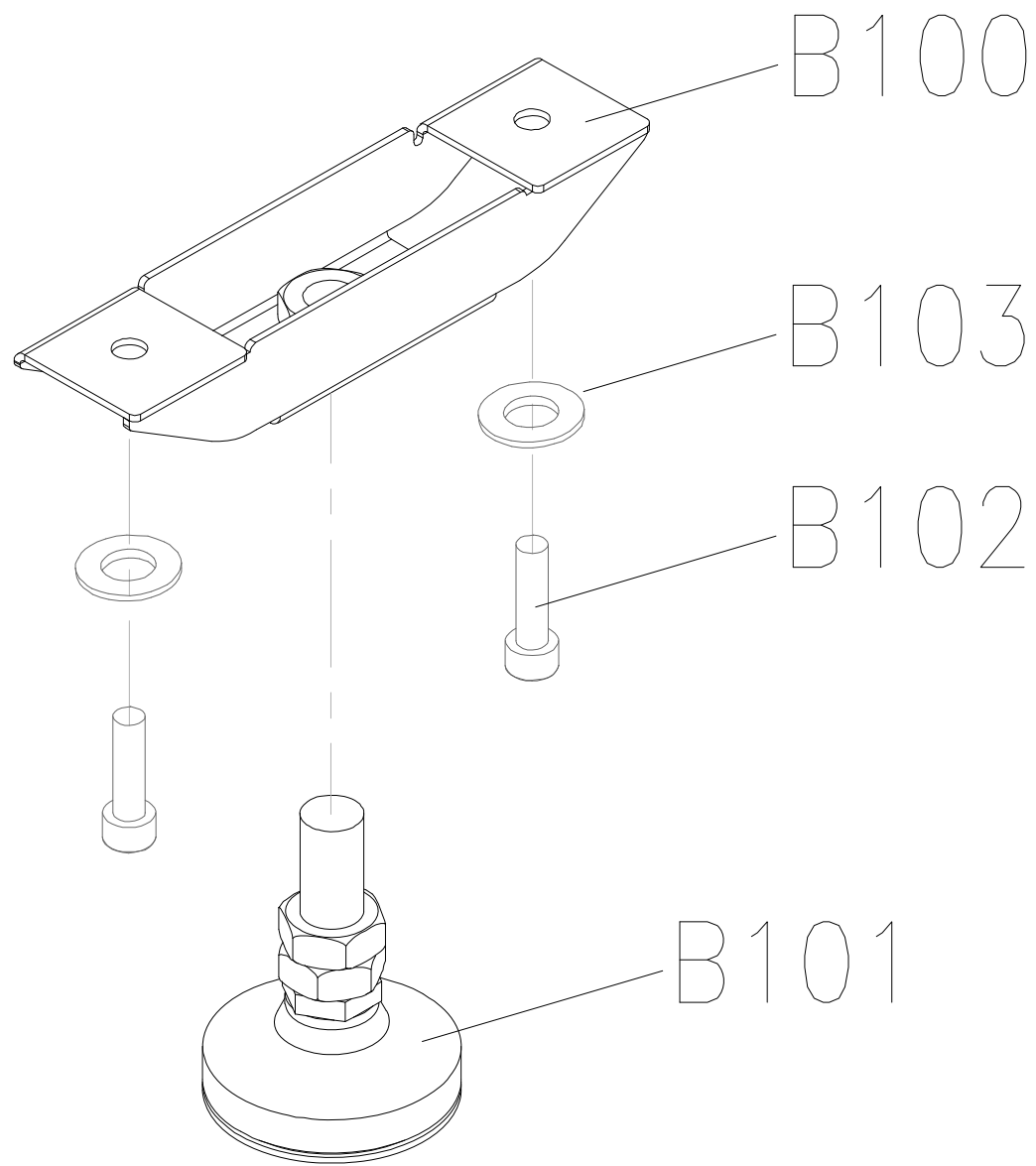


B 3 8



B 5 5





| | | | |
|------------|------------------------|------|--------|
| DRAWING NO | TM501E-AP12 | | |
| PART NAME | Power Switch Set | | |
| PART NO | As Attachment B | | |
| APPROVE | DICK | DATE | 102312 |

| | |
|------------|------------------------------------|
| Part NO | Description |
| 1000230705 | Power Switch Set;1US;T5x-04 |
| 1000302213 | Power Switch Set;2KM;T-5X/7X-04-F4 |

