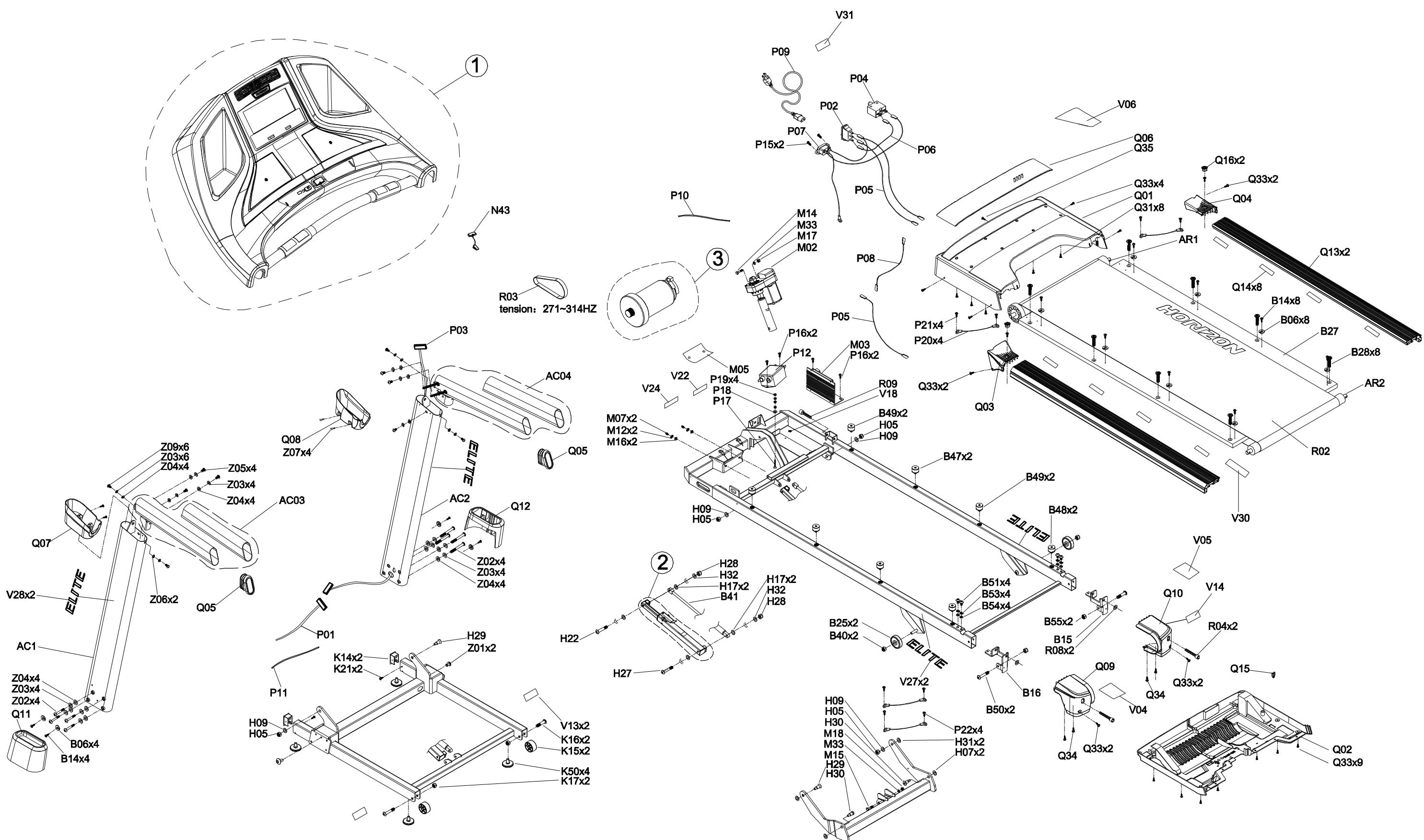
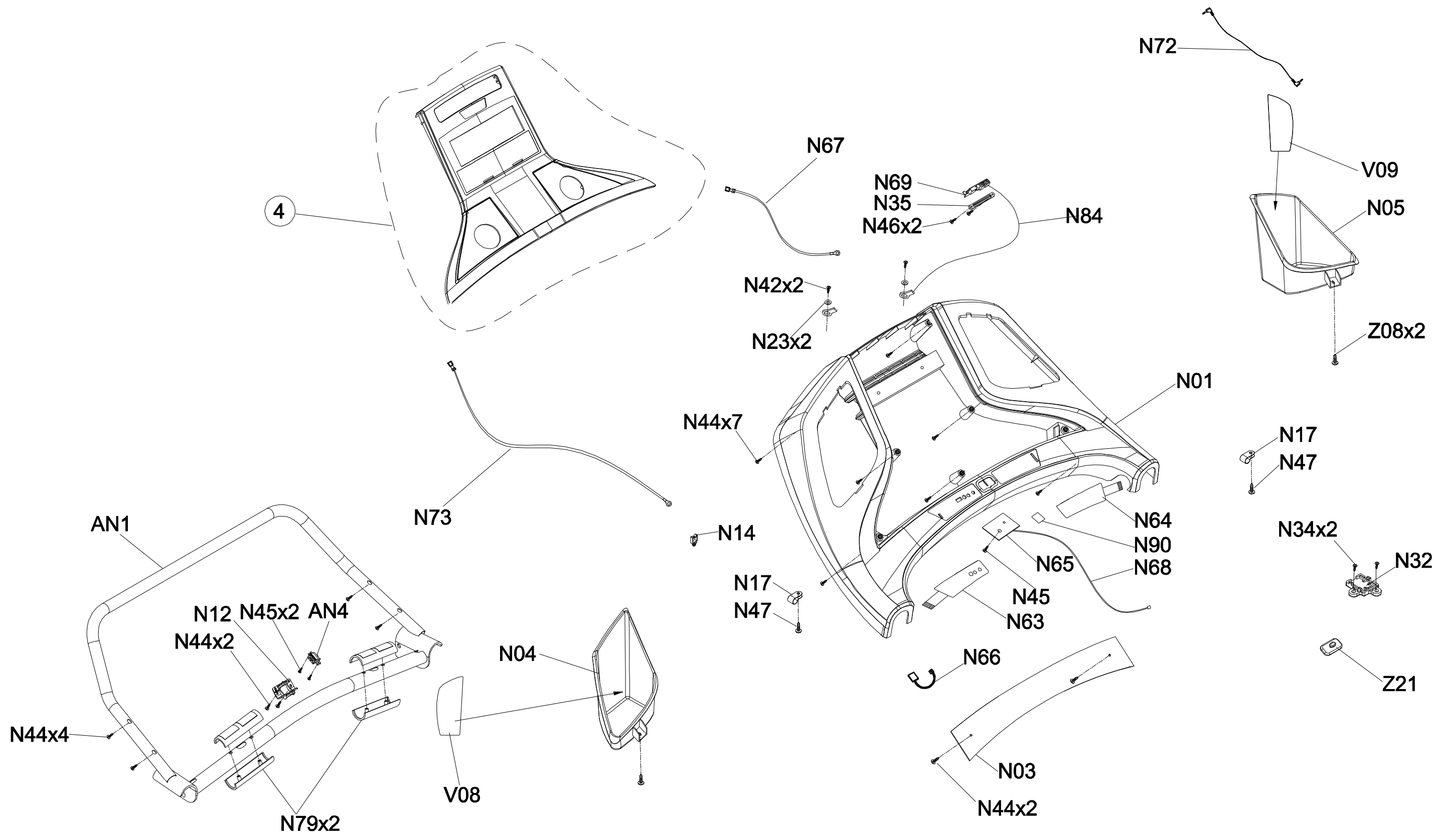


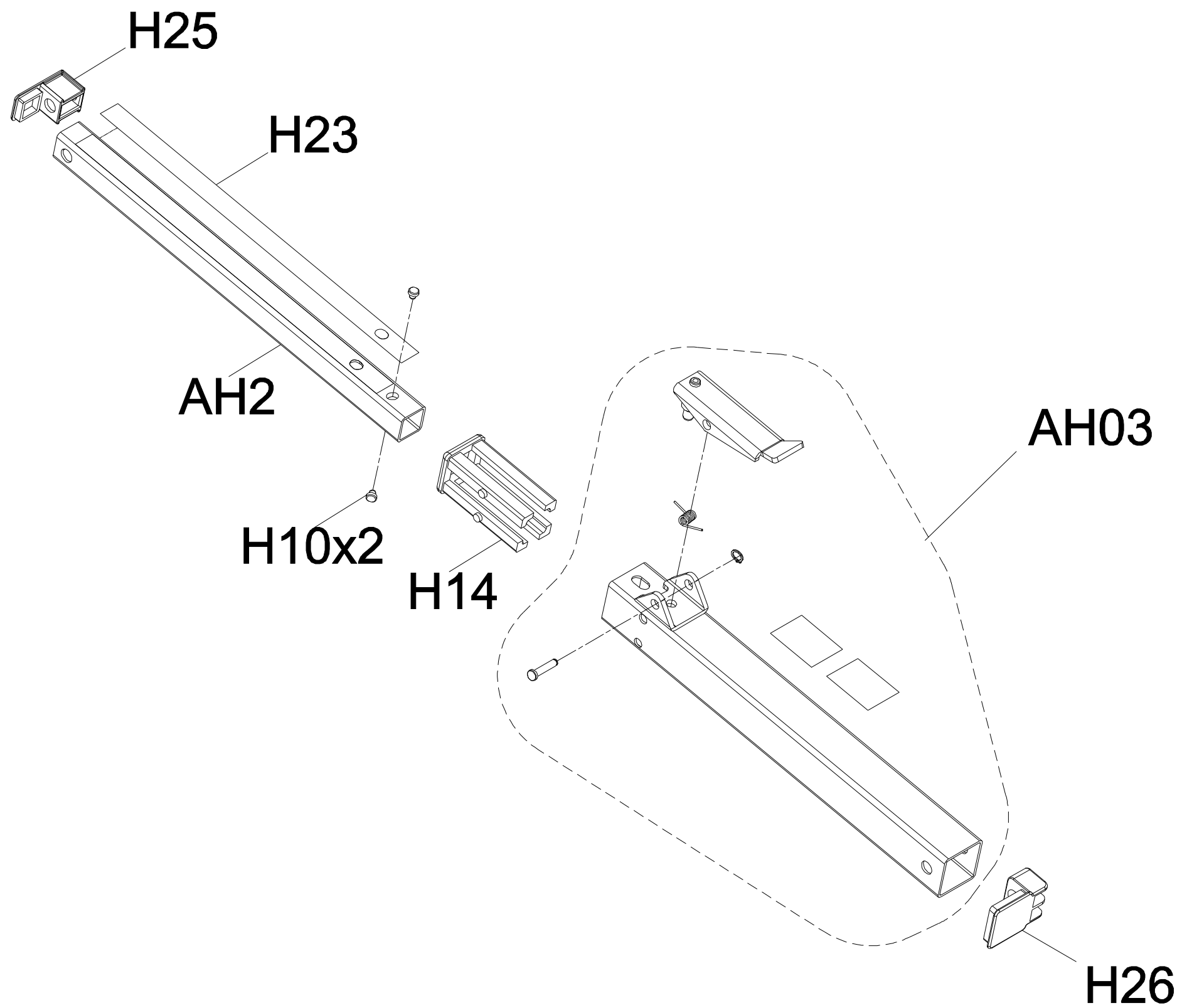
DRAWING NO	PTM723-1US		
PART NAME	Explosive Rendering		
PART NO	HTM1168-00	REV	A
APPROVE	Duke	DATE	2017.02.26



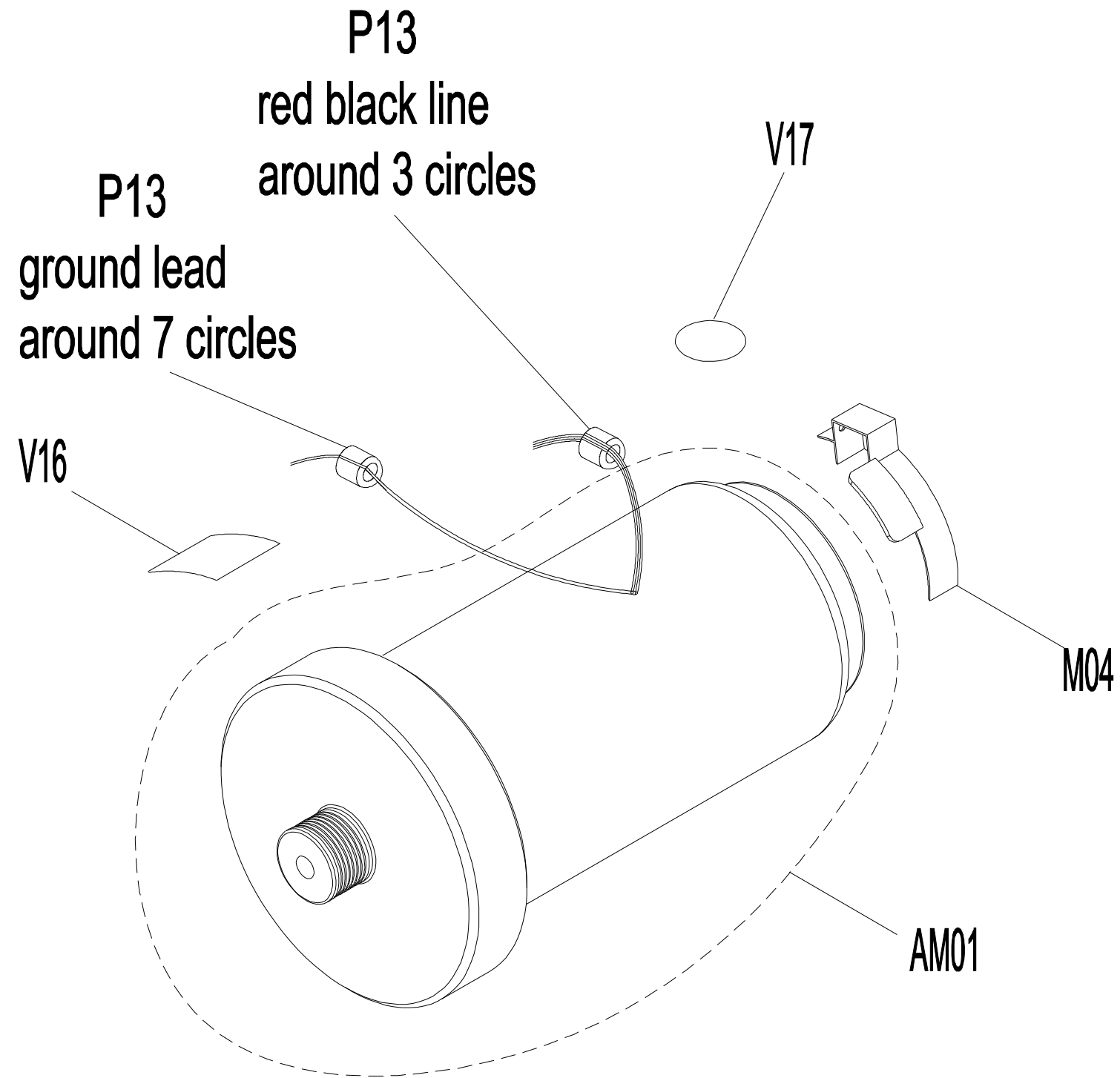
DRAWING NO	TM723-A14		
PART NAME	Console set		
PART NO	1000406498	REV	A
APPROVE	Duke	DATE	2017.2.26



DRAWING NO	TM723-A18		
PART NAME	Connect Tube Set;Semi-Assy		
PART NO	1000406286	REV	A
APPROVE	xiongyiqiang	DATE	2017.02.21



DRAWING NO	TM723-A13		
PART NAME	DRIVE MOTOR SET;Semi-Assy		
PART NO	1000406288	REV	A
APPROVE	xiongyiqiang	DATE	2017.02.26



DRAWING NO	TM723-A15		
PART NAME	Console Overlay set		
PART NO	1000406499	REV	A
APPROVE	Duke	DATE	2017.2.26

