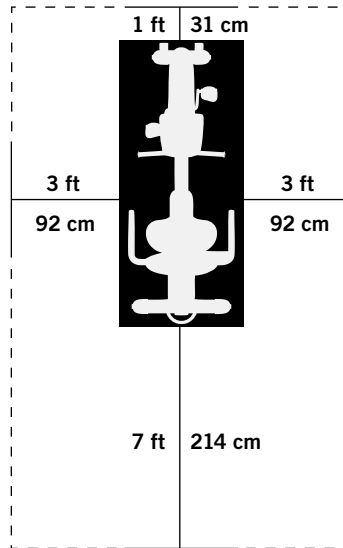


Please note the additional information to page 12 in the Owner's Manual.

BEFORE USE



Take a functional and visual inspection of the equipment after assembly is complete. Also take the time to read all the warning labels on the bike to make sure you have the safest experience possible.



LOCATION OF THE CYCLE

Place the cycle on a level surface. There should be 7 feet of clearance behind the cycle, 3 feet on each side and one foot in front for the power cord. Do not place the cycle in any area that will block any vent or air openings. The cycle should not be located in a garage, covered patio, near water or outdoors.