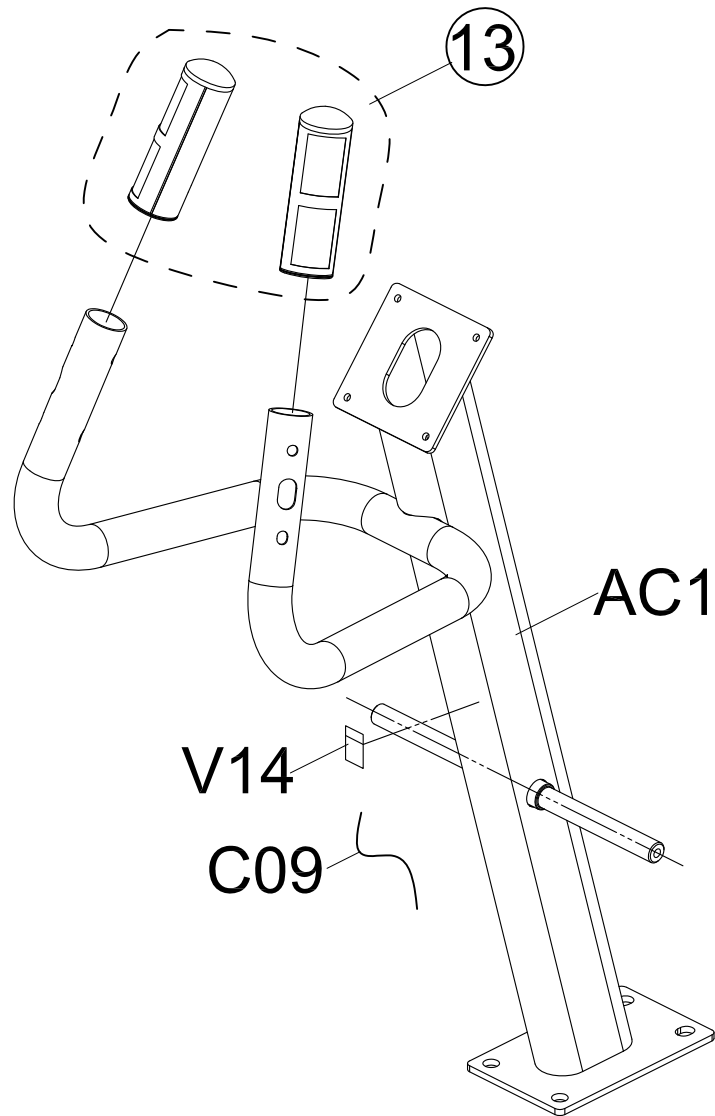
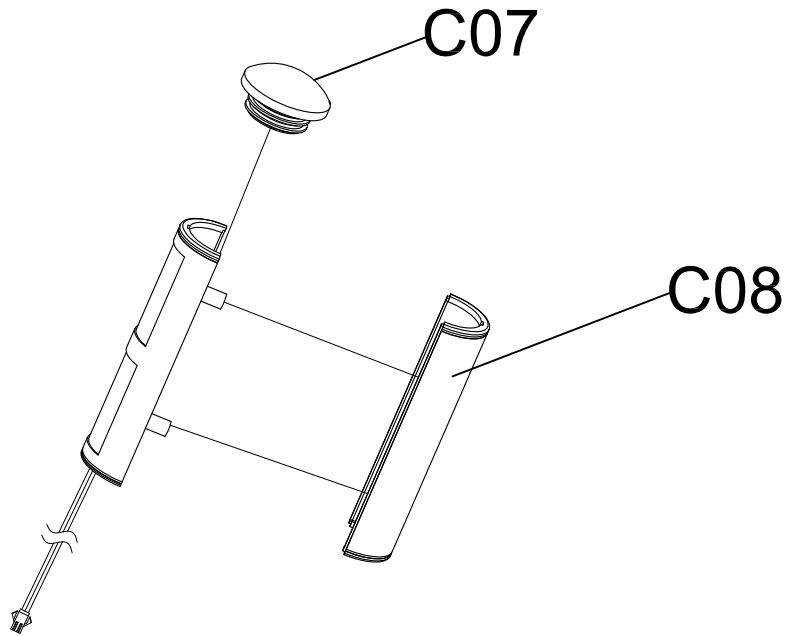


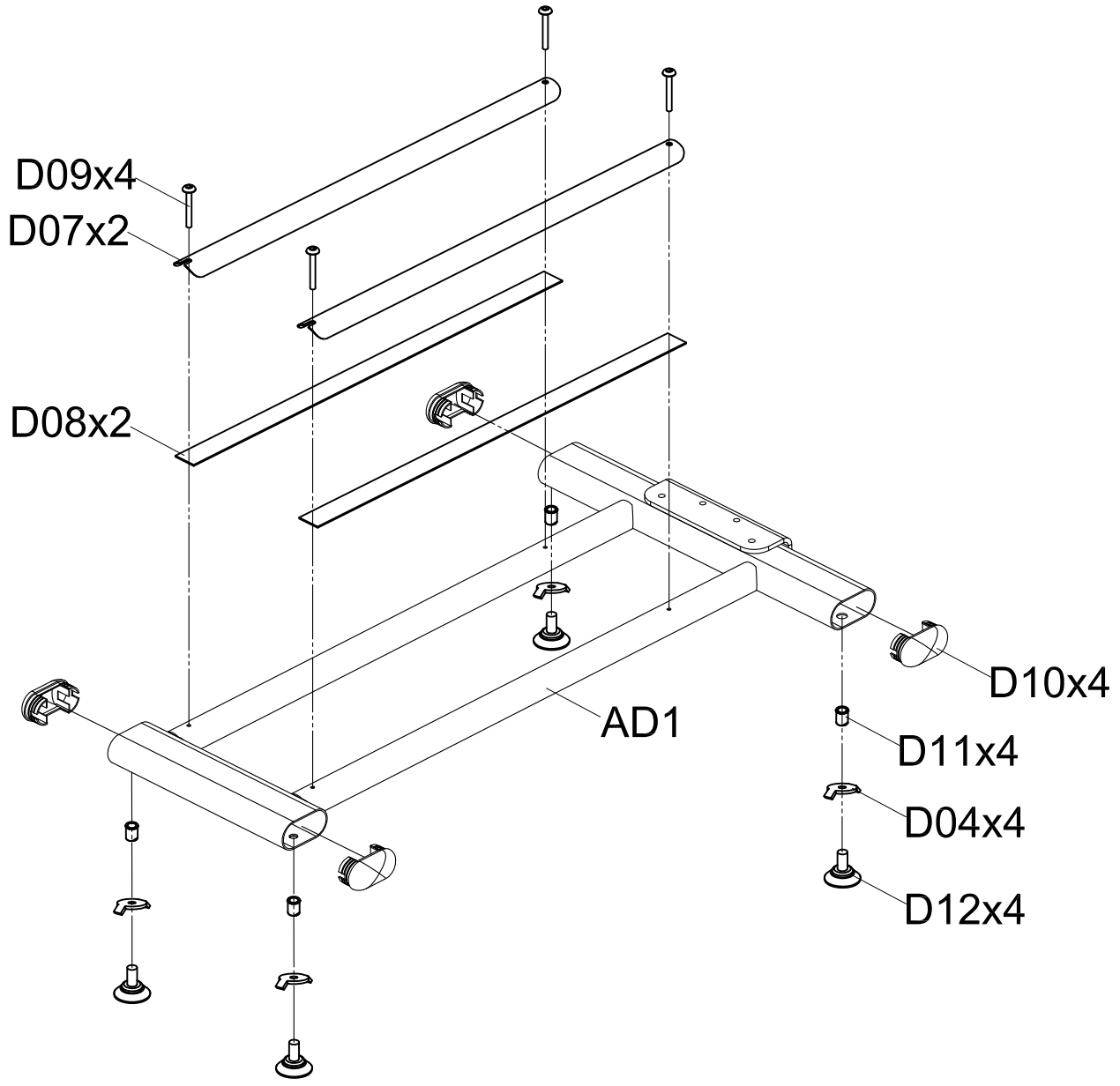
DRAWING NO	EP575-A10		
PART NAME	Console Maste Set		
PART NO	1000308204	REV	A
APPROVE	Dary	DATE	20130521



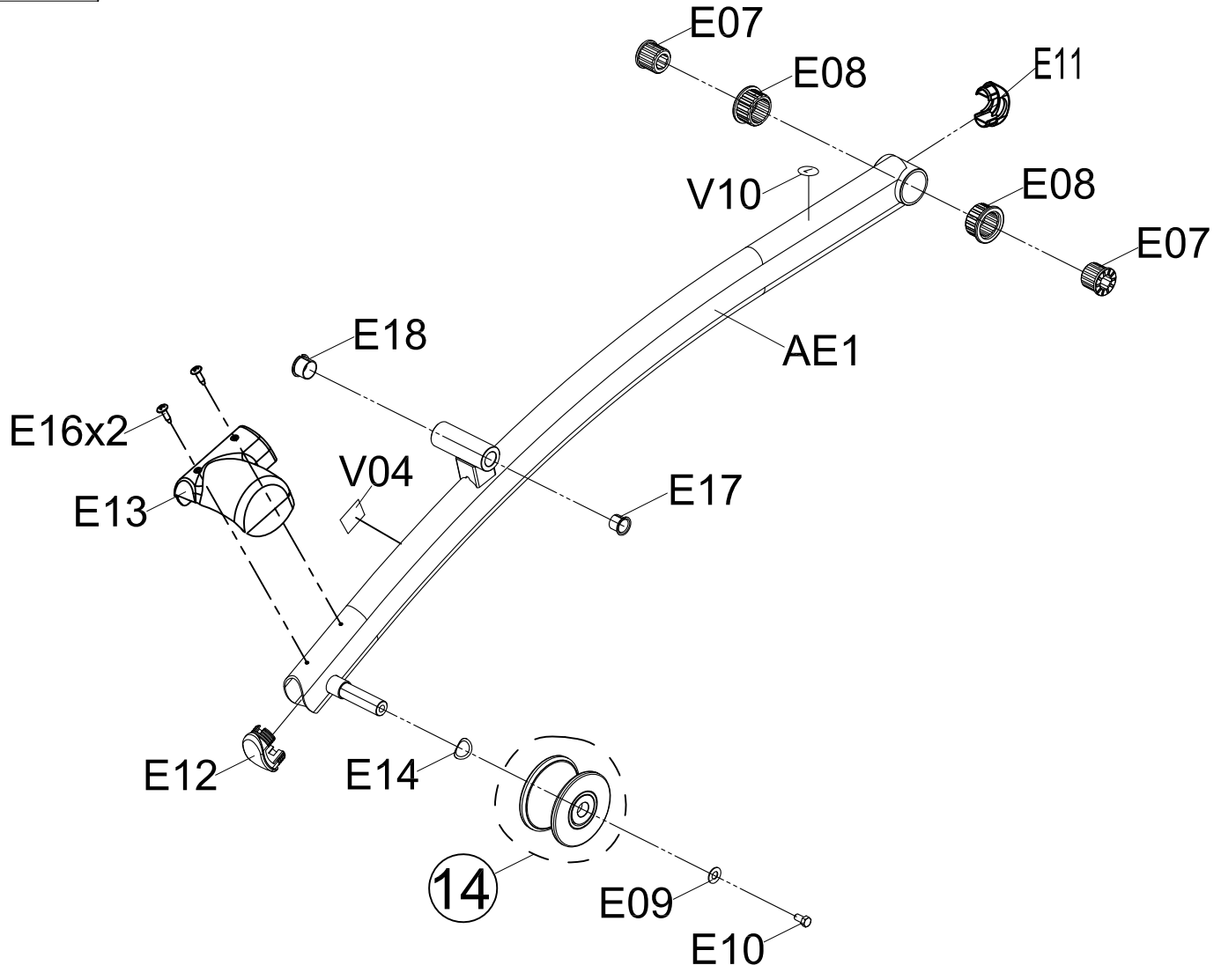
DRAWING NO	EP575-A22		
PART NAME	Pulse Sensor Set		
PART NO	1000308292	REV	A
APPROVE	Dary	DATE	20130521



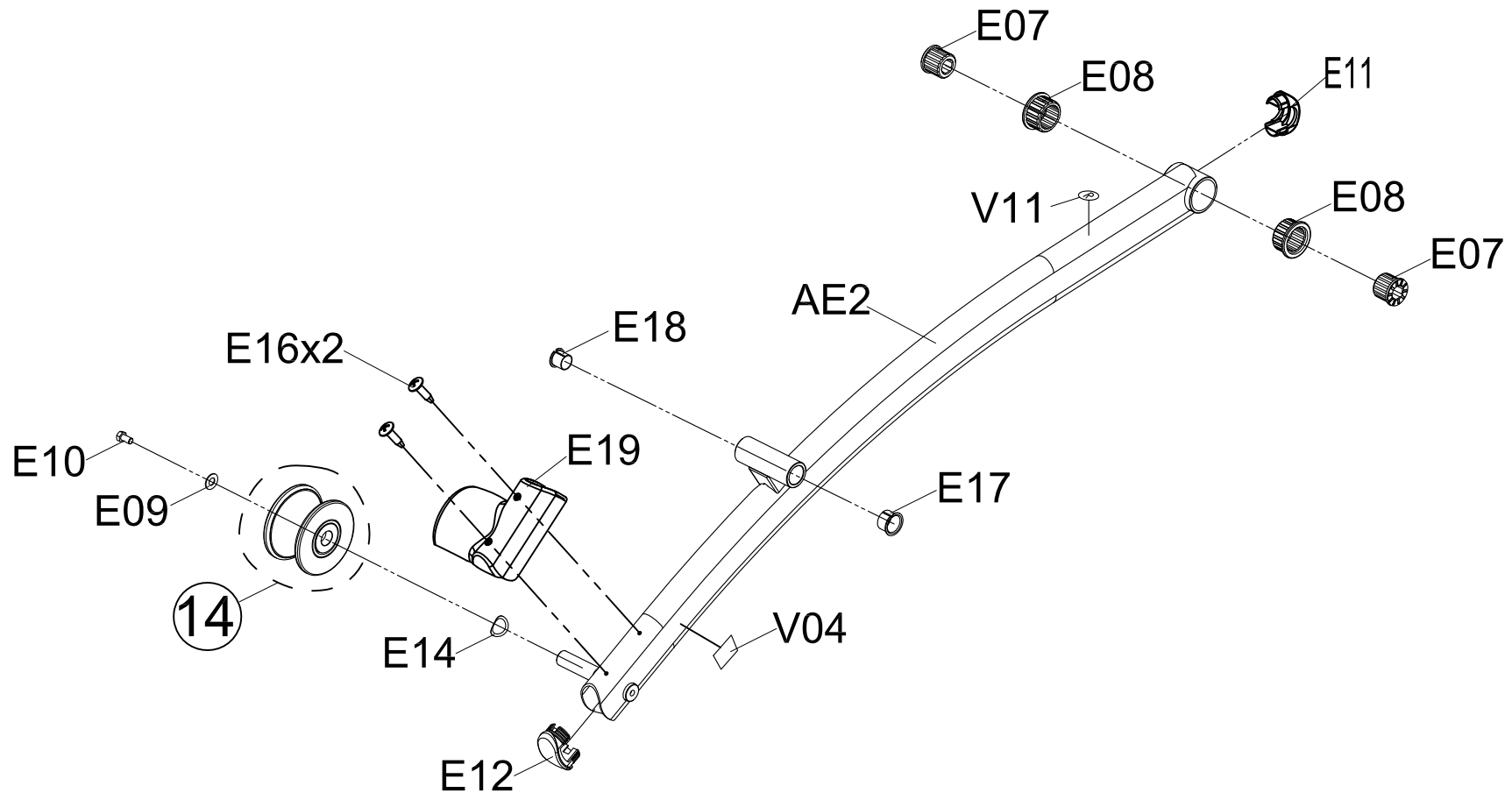
DRAWING NO	EP575-A11		
PART NAME	Guide Rail Set		
PART NO	1000308207	REV	A
APPROVE	Dary	DATE	20130521



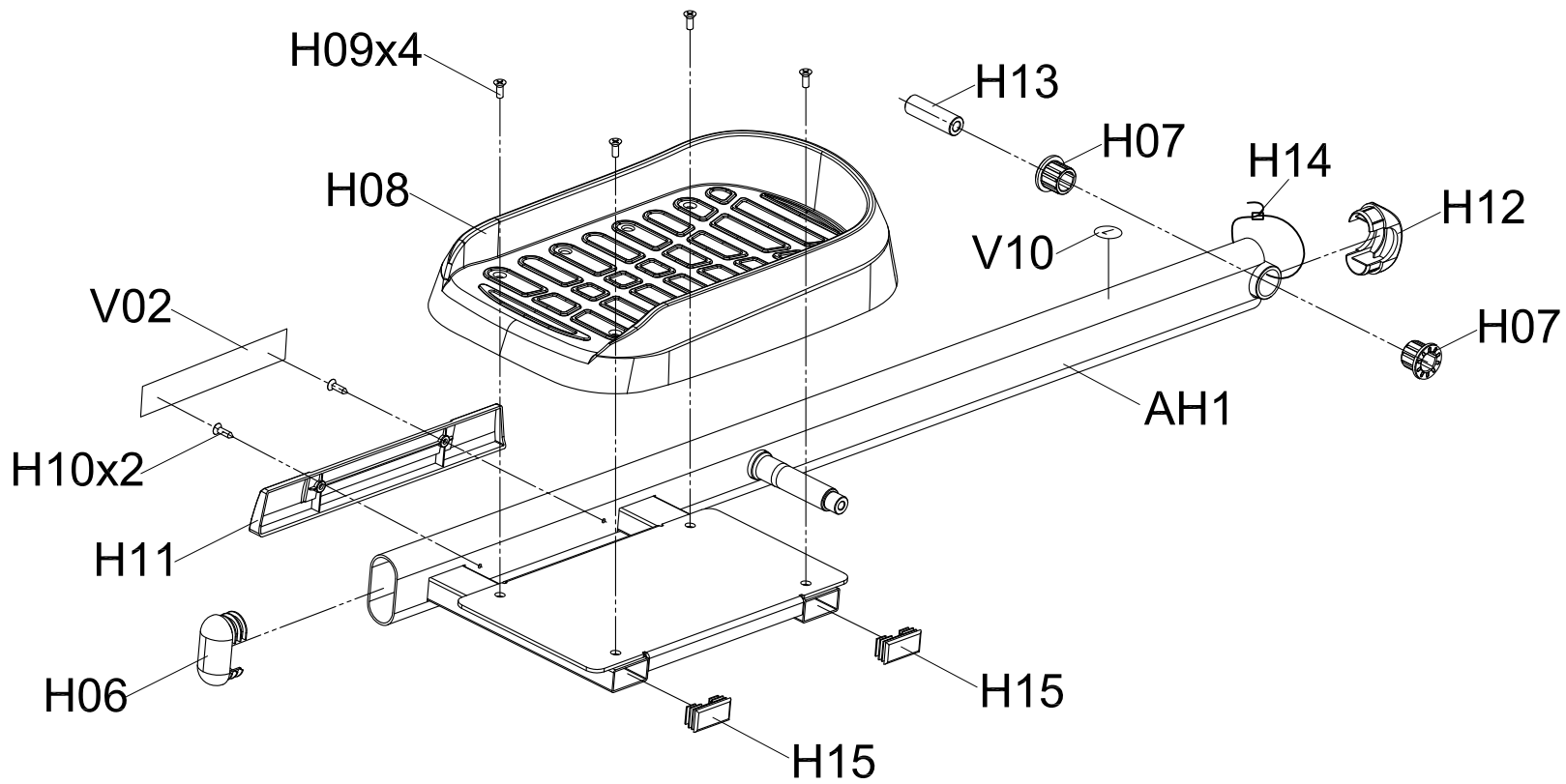
DRAWING NO	EP575-A12		
PART NAME	Pedal Arm Set-L		
PART NO	1000308274	REV	A
APPROVE	Dary	DATE	20130521



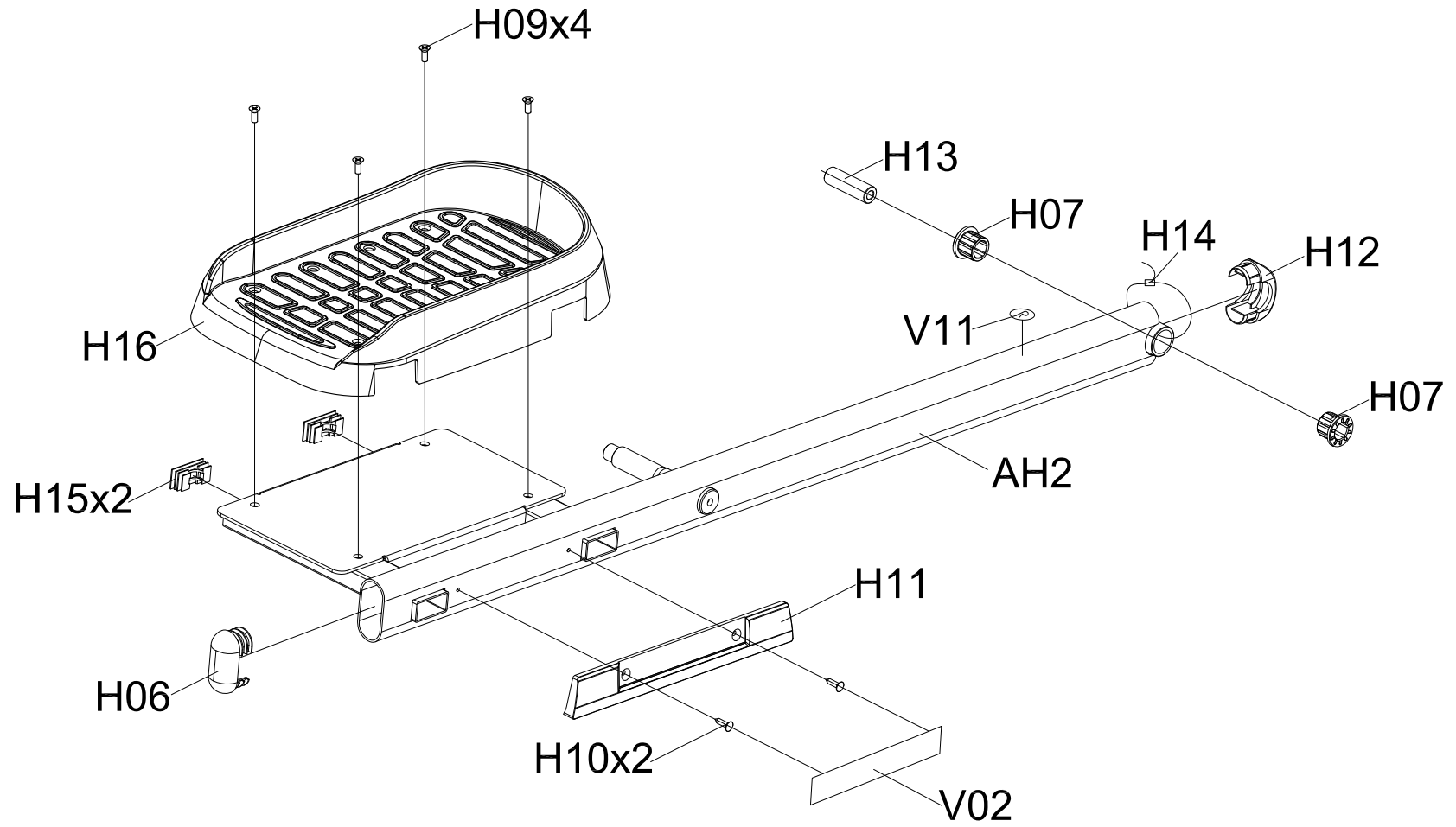
DRAWING NO	EP575-A13		
PART NAME	Pedal Arm Set-R		
PART NO	1000308276	REV	A
APPROVE	Dary	DATE	20130521



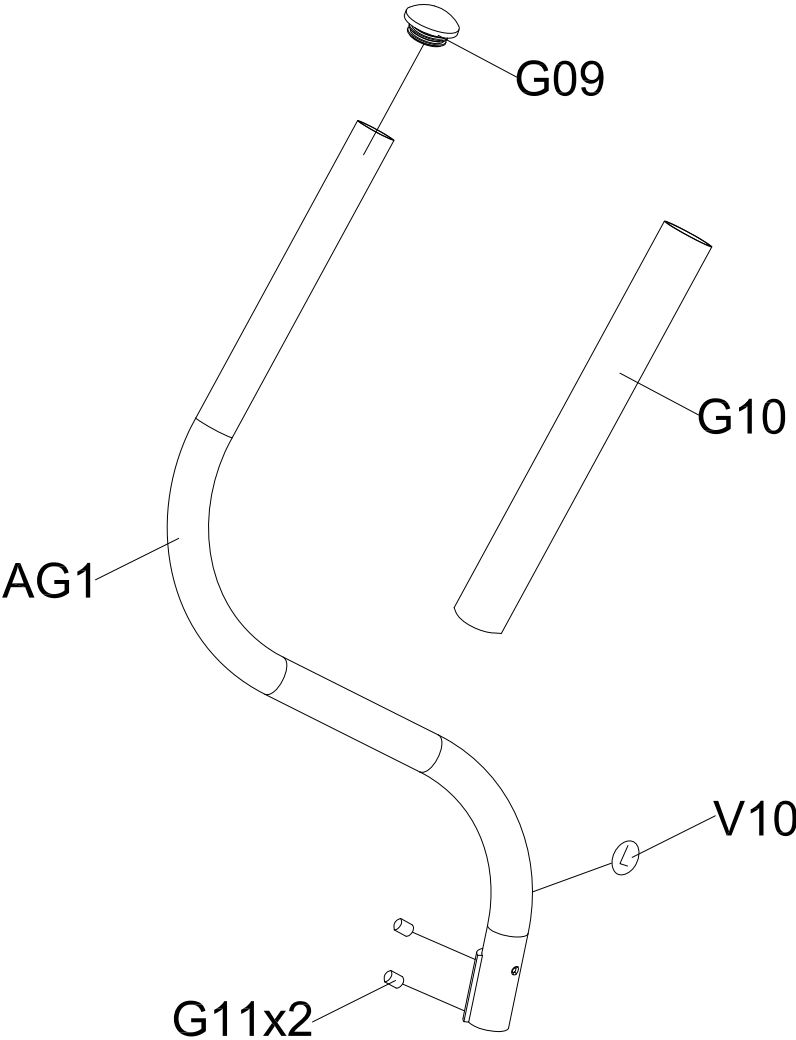
DRAWING NO	EP575-A14		
PART NAME	Link Arm Set-L		
PART NO	1000308281	REV	A
APPROVE	Dary	DATE	20130521



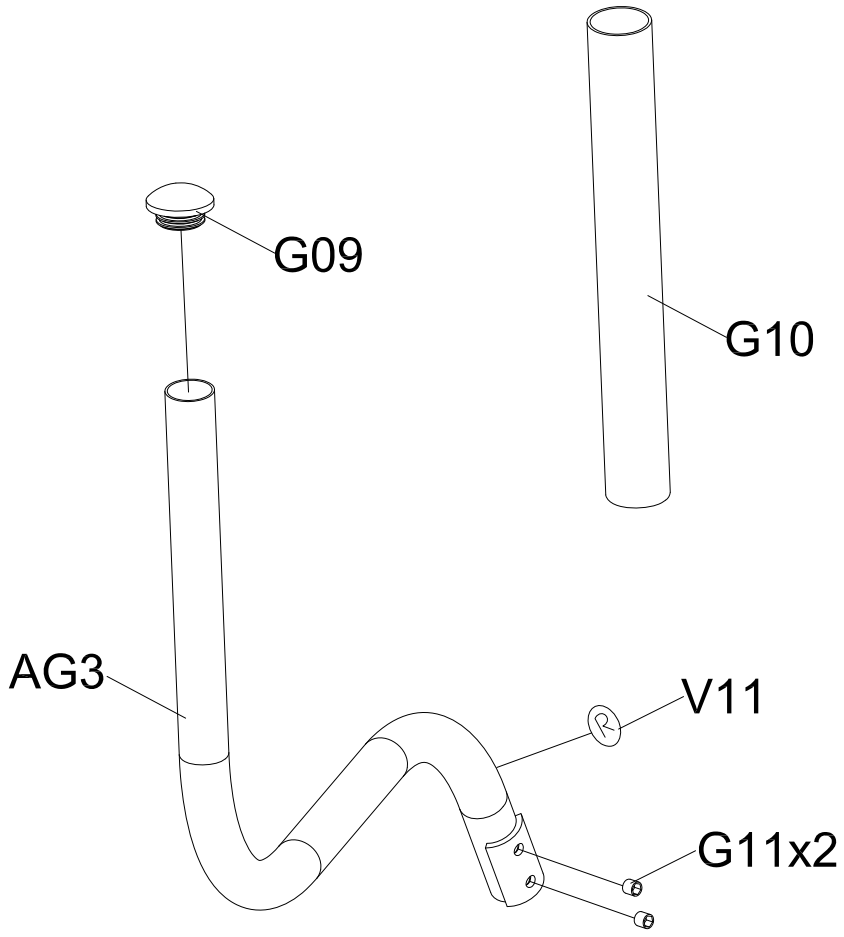
DRAWING NO	EP575-A15		
PART NAME	Link Arm Set-R		
PART NO	1000308285	REV	A
APPROVE	Dary	DATE	20130521



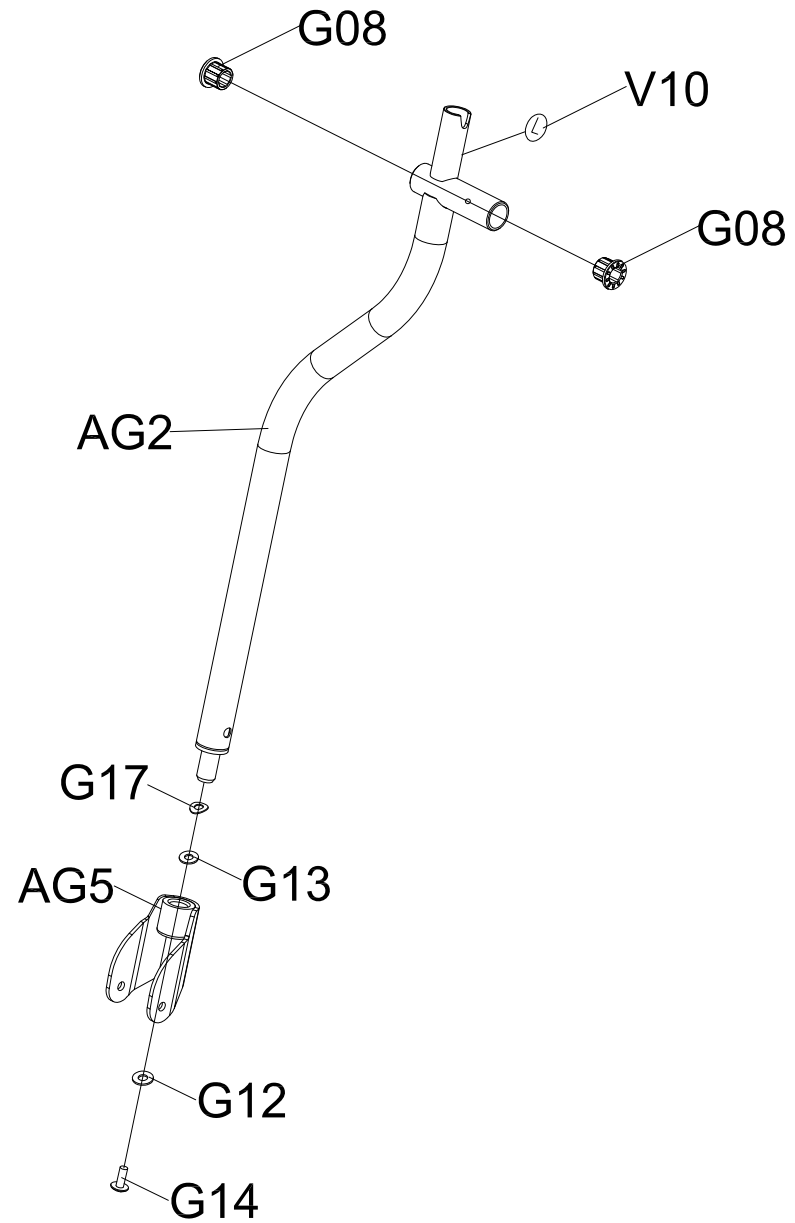
DRAWING NO	EP575-A16		
PART NAME	Handlebar Set-L,U;		
PART NO	1000308286	REV	A
APPROVE	Dary	DATE	20130521



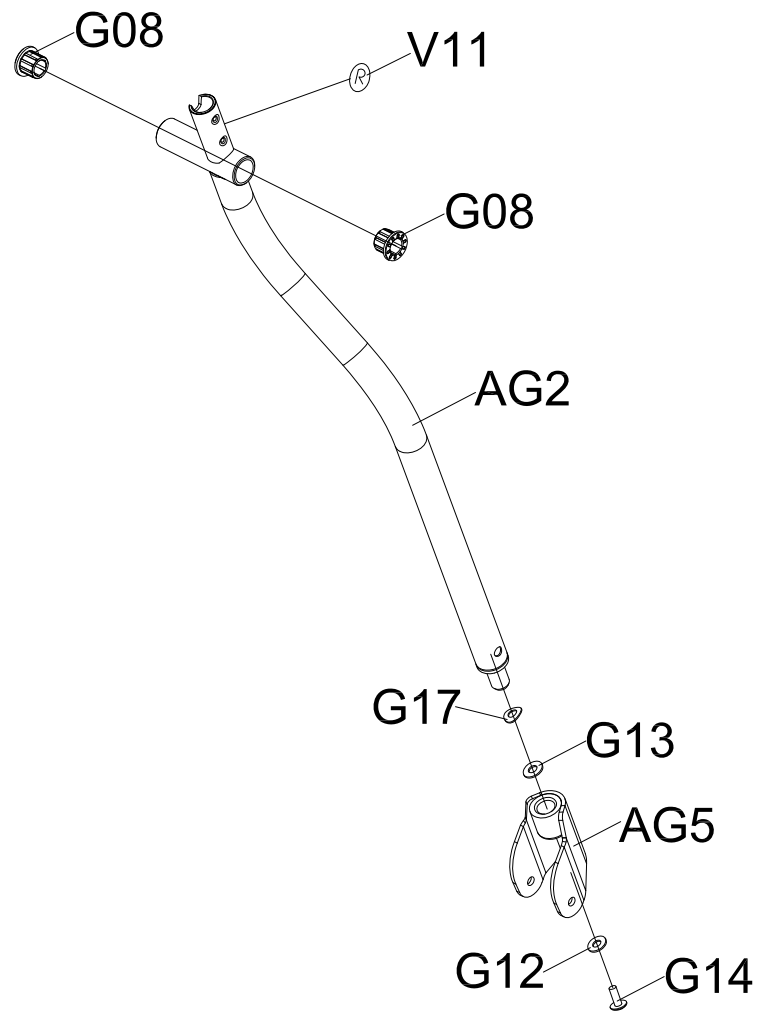
DRAWING NO	EP575-A18		
PART NAME	Handlebar Set-R,U;		
PART NO	1000308288	REV	A
APPROVE	Dary	DATE	20130521



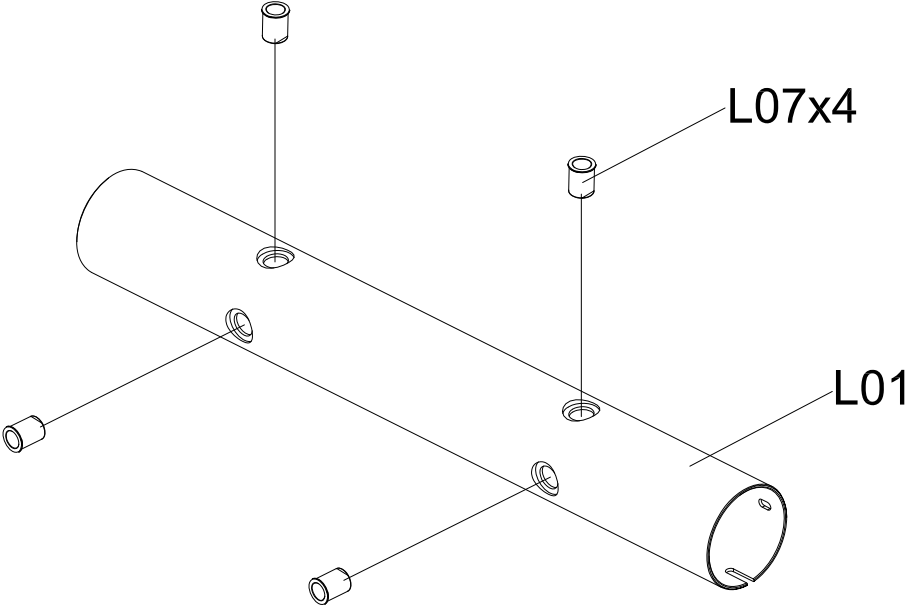
DRAWING NO	EP575-A17		
PART NAME	Handlebar Set-L,D;		
PART NO	1000308287	REV	A
APPROVE	Dary	DATE	20130521



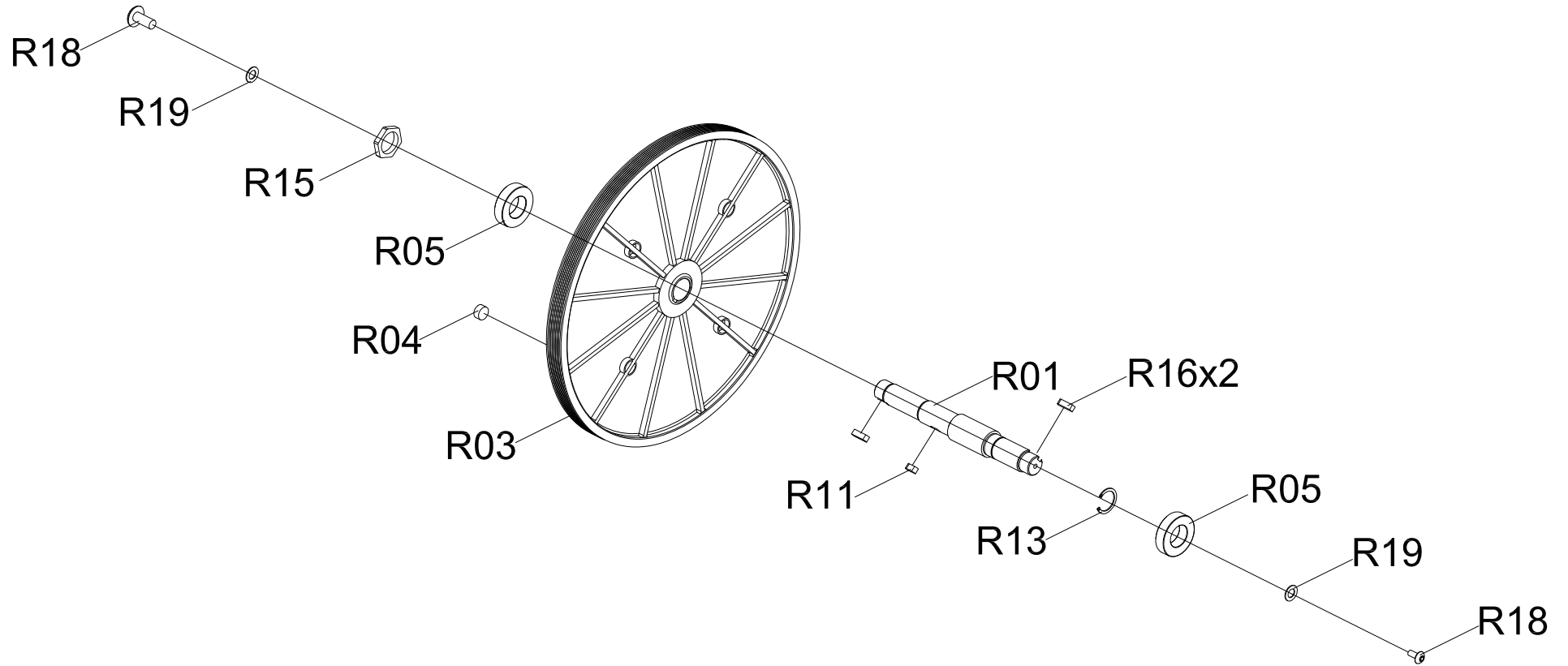
DRAWING NO	EP575-A19		
PART NAME	Handlebar Set-R,D;		
PART NO	1000308289	REV	A
APPROVE	Dary	DATE	20130521



DRAWING NO	EP575-A20		
PART NAME	Stabilizer Set		
PART NO	1000308290	REV	A
APPROVE	Dary	DATE	20130521



DRAWING NO	EP575-A21		
PART NAME	Drive Set		
PART NO	1000308291	REV	A
APPROVE	Dary	DATE	20130521



DRAWING NO	EP575-A23		
PART NAME	Roller Set		
PART NO	1000308293	REV	A
APPROVE	Dary	DATE	20130521

