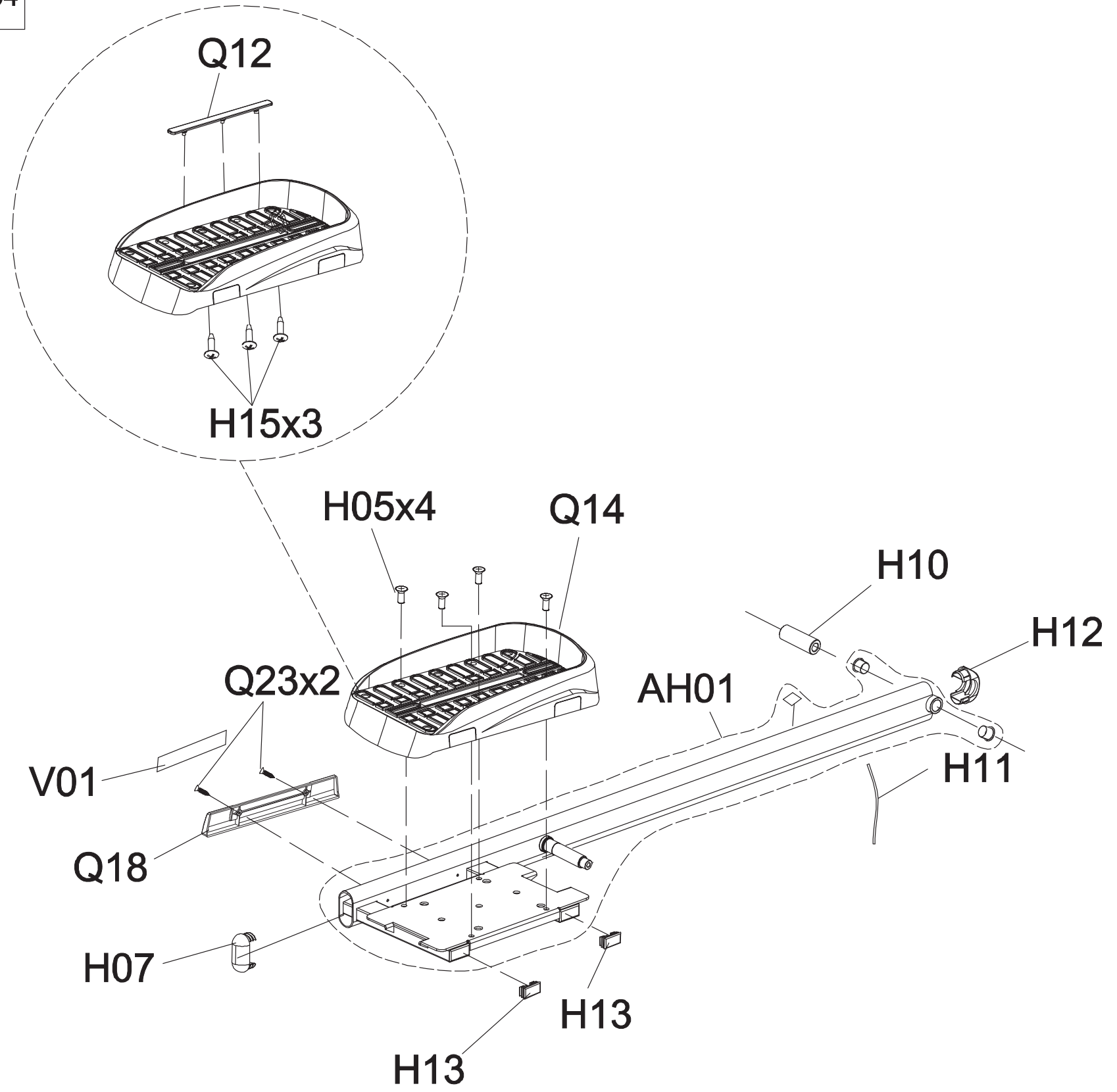
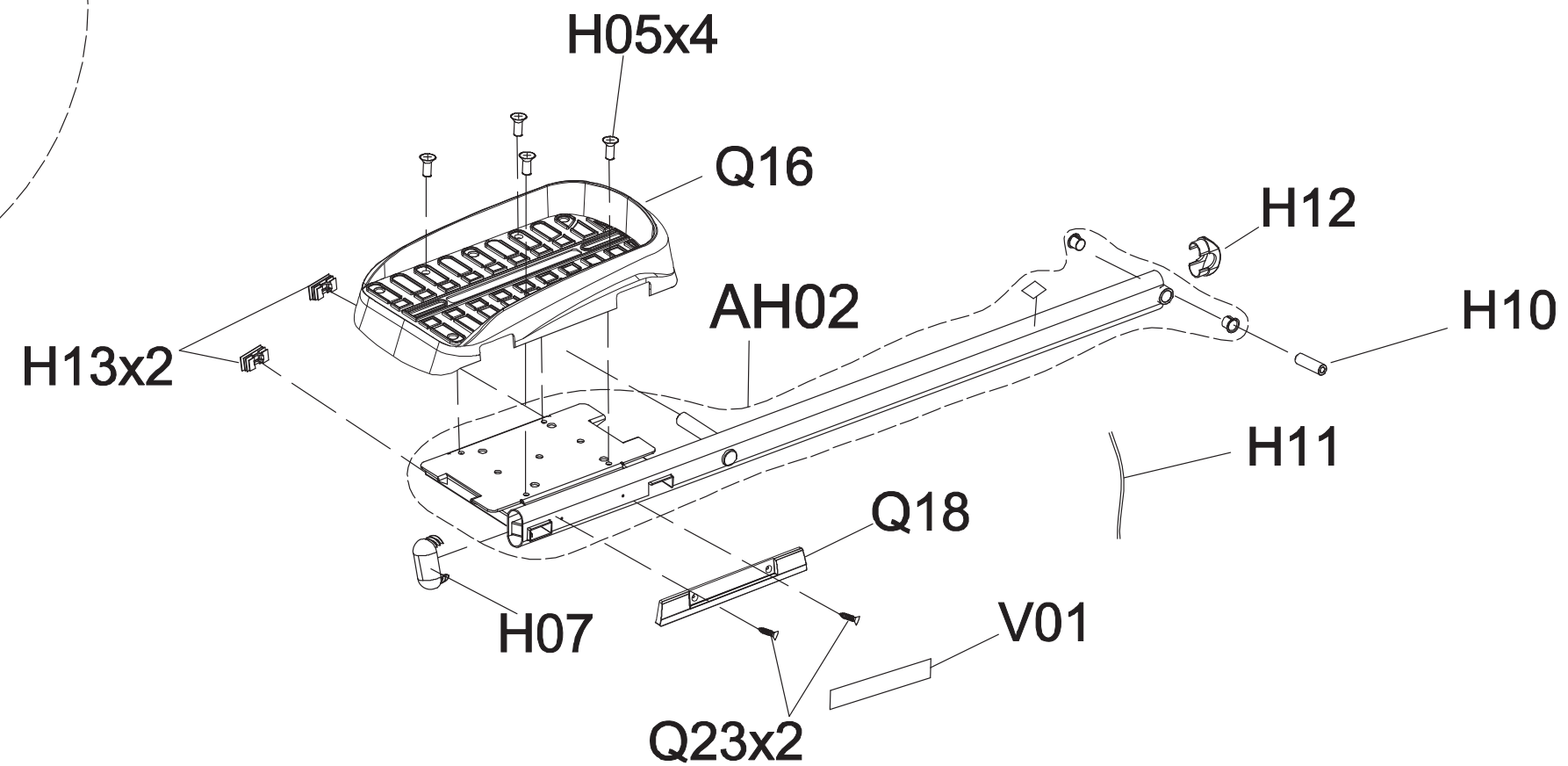
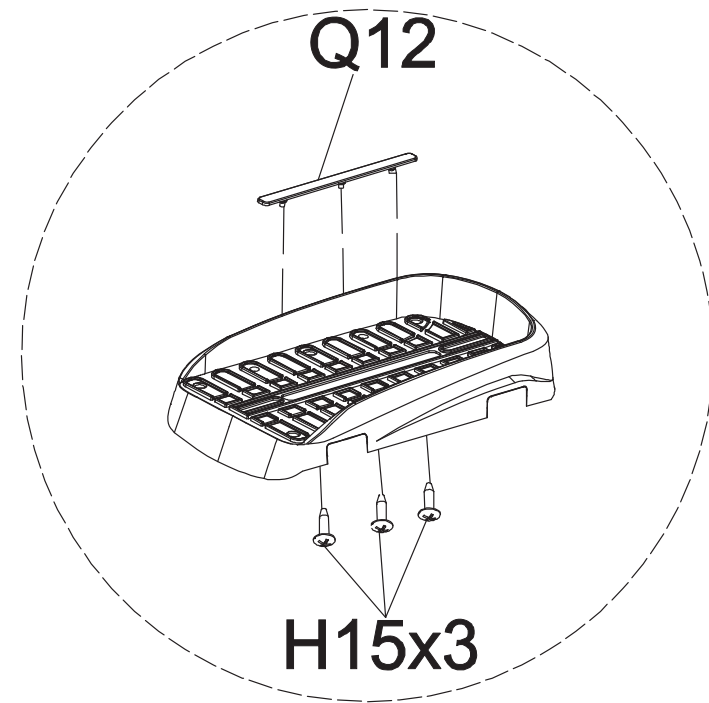


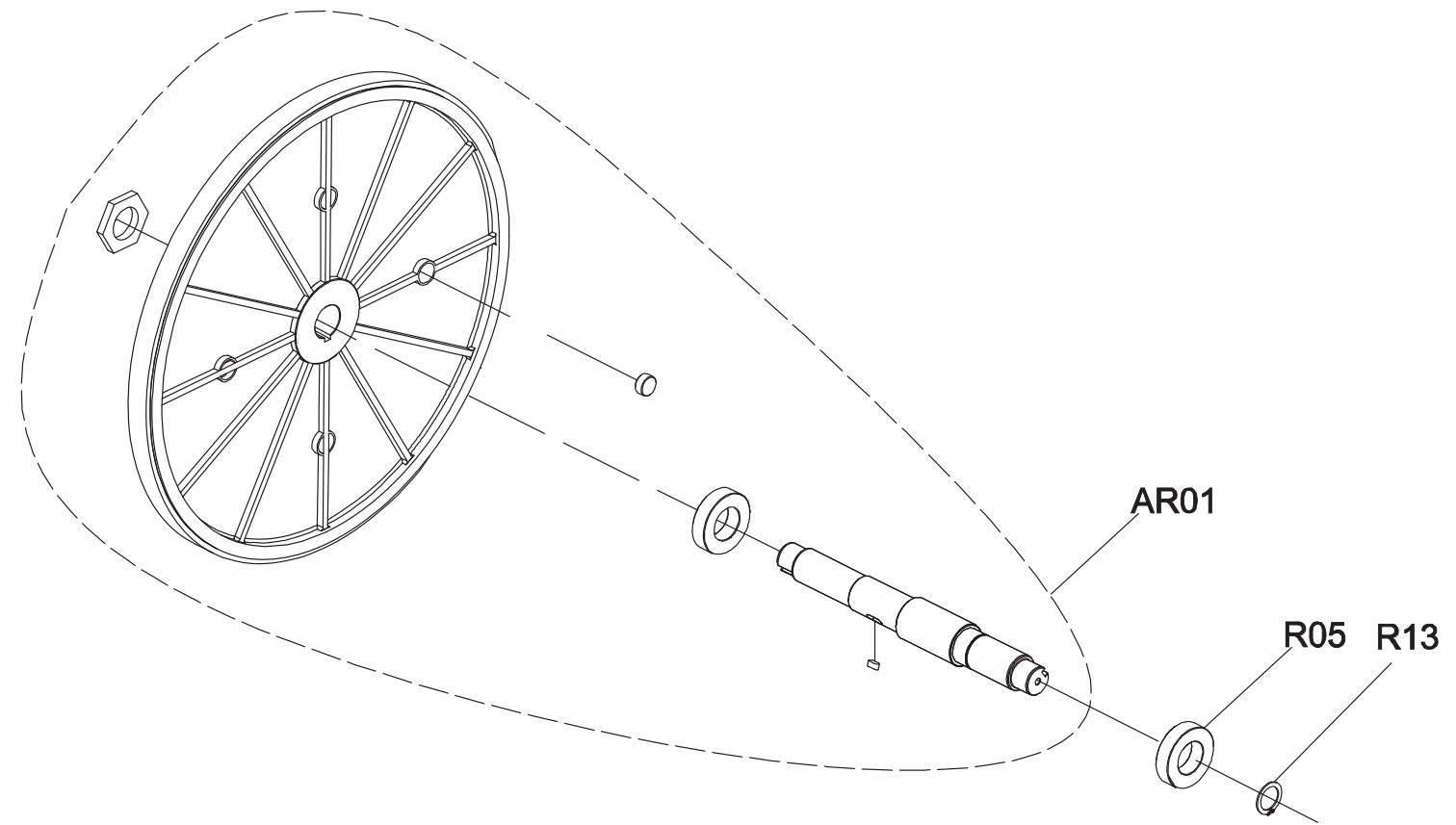
DRAWING NO	EP703-A13		
PART NAME	Link Arm Set		
PART NO	1000426513	REV	A
APPROVE	Yangjianning	DATE	2017.06.04



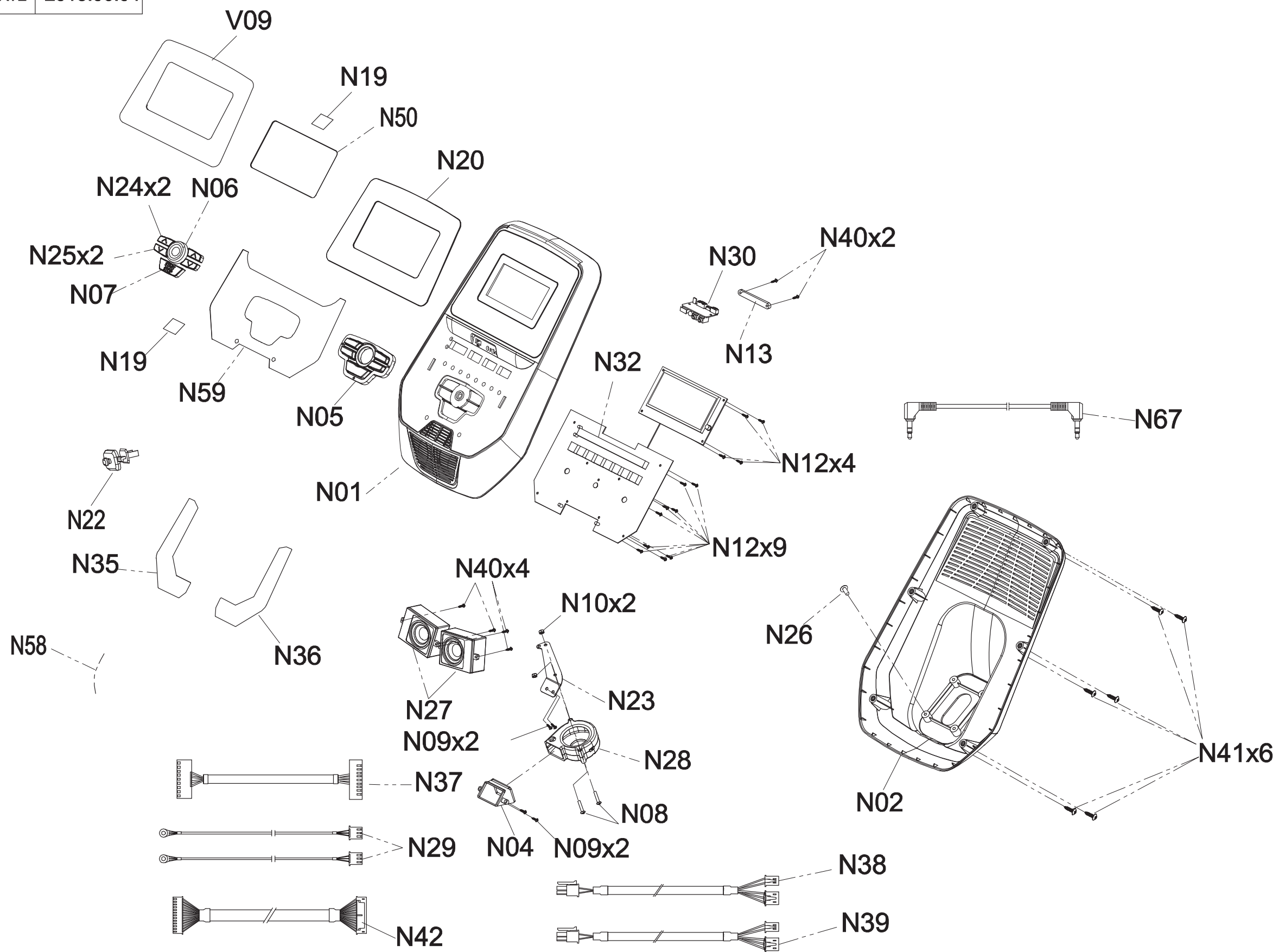
DRAWING NO	EP703-A14		
PART NAME	Link Arm Set		
PART NO	1000426514	REV	A
APPROVE	Yangjianning	DATE	2018.06.04



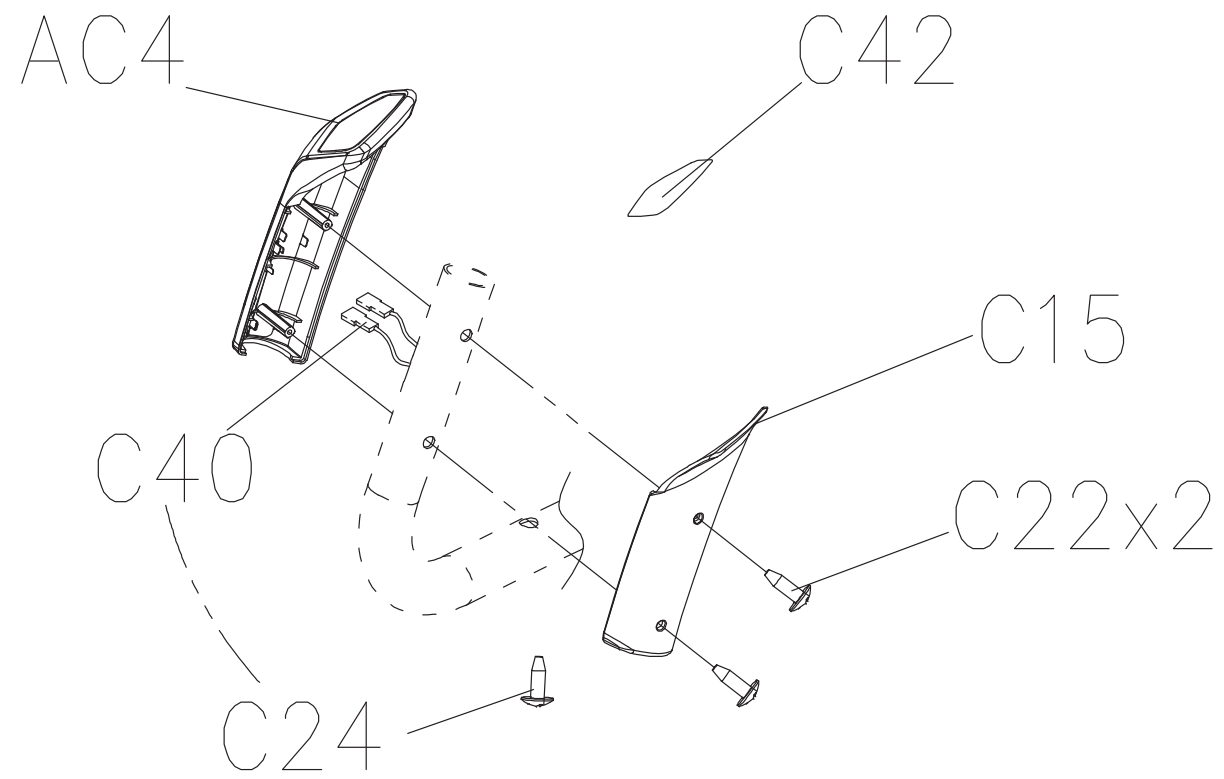
DRAWING NO	EP703-A11		
PART NAME	Drive Axle Set		
PART NO	1000426521	REV	A
APPROVE	YANGJIANNING	DATE	2018.06.15



DRAWING NO	EP703-A12		
PART NAME	Console set		
PART NO	1000426565	REV	A
APPROVE	YANGJIANNINGN	DATE	2018.06.04



DRAWING NO	EP703-A15		
PART NAME	Hand Pulse Grip Set;L		
PART NO	1000430930	REV	A
APPROVE	Yangjianning	DATE	2018.08.29



DRAWING NO	EP703-A16		
PART NAME	Hand Pulse Grip Set;R		
PART NO	1000430931	REV	A
APPROVE	Yangjianning	DATE	2018.08.29

