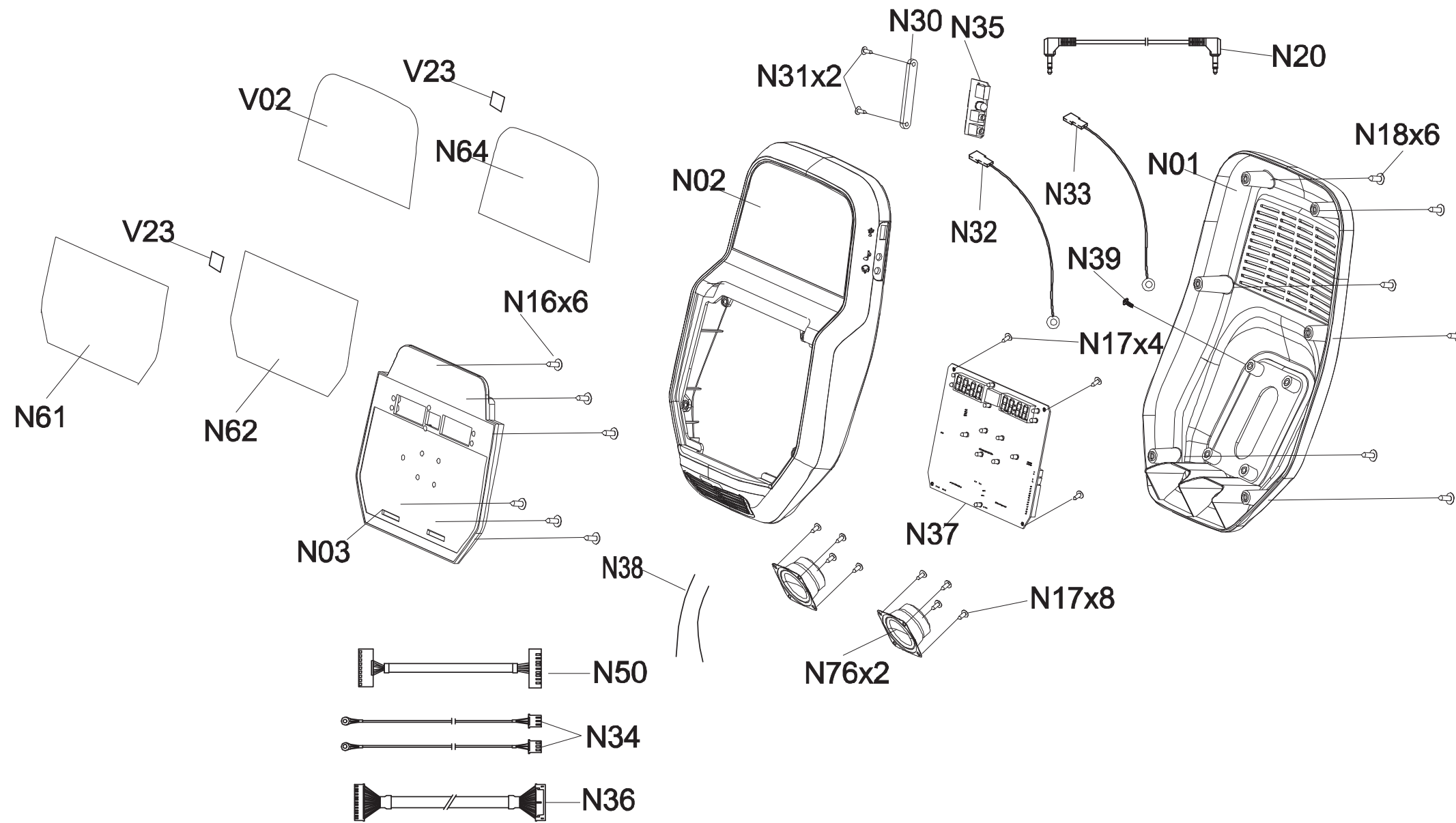
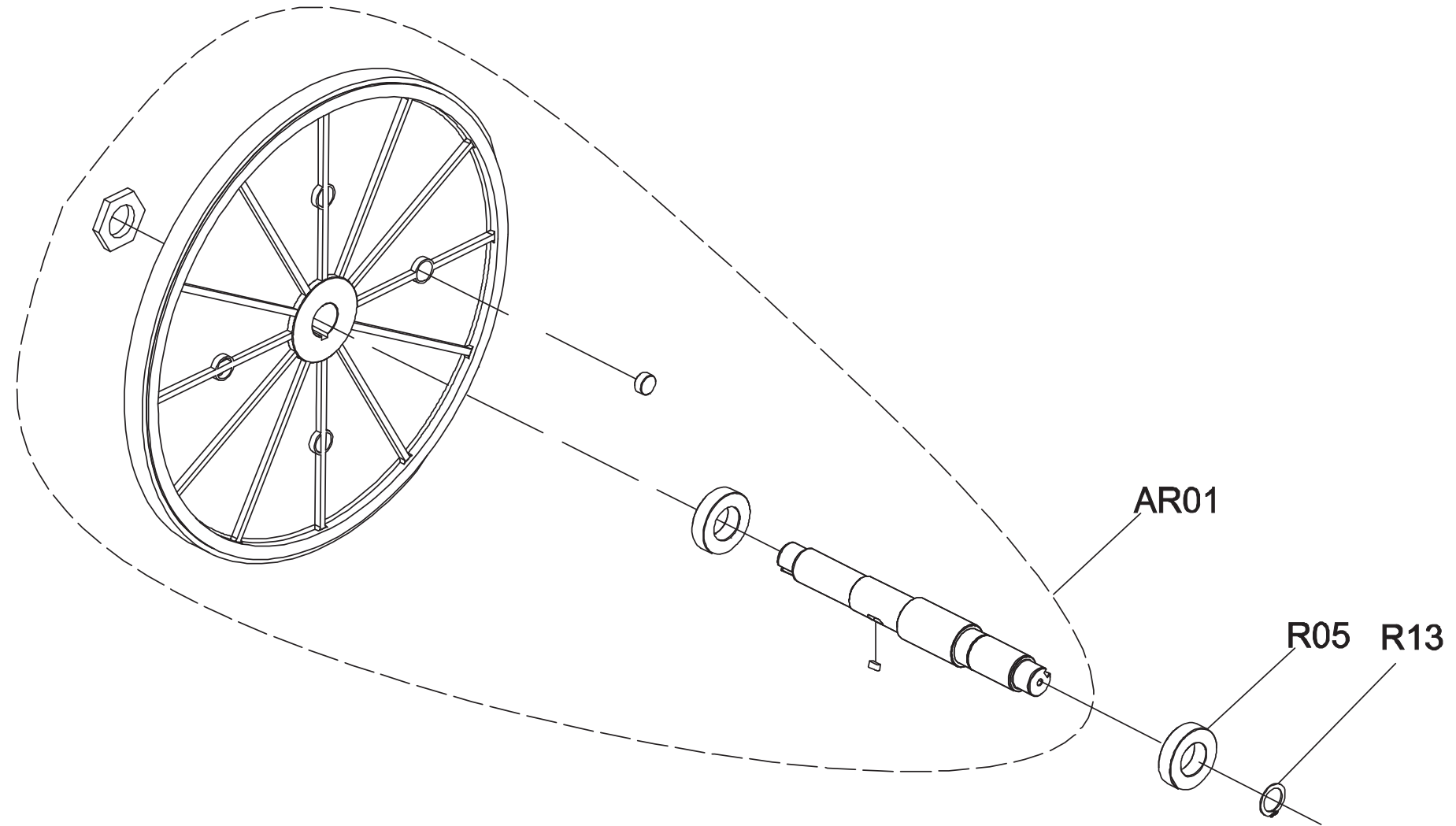


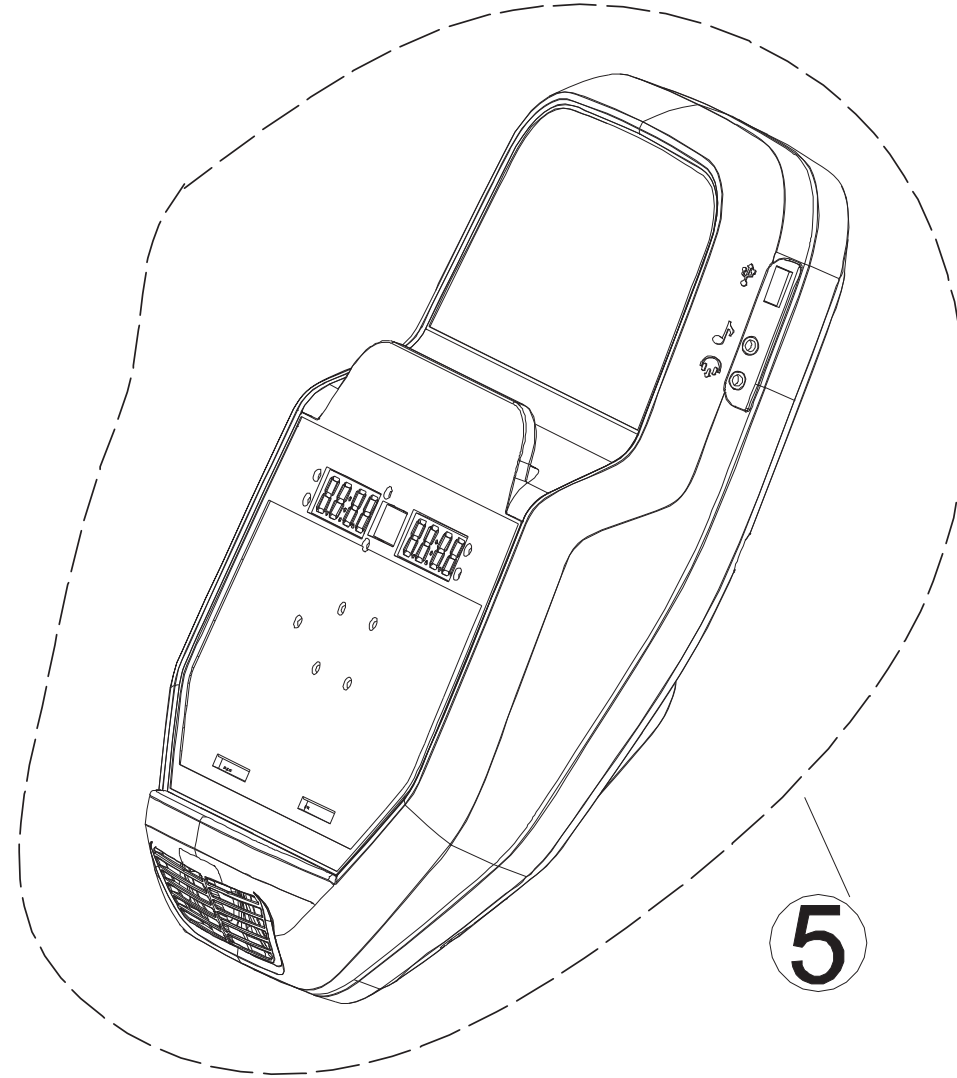
| | | | |
|------------|-------------|------|------------|
| DRAWING NO | EP716-AN1 | | |
| PART NAME | Console set | | |
| PART NO | 1000419612 | REV | A |
| APPROVE | LICHAOSHUN | DATE | 2018.04.03 |



| | | | |
|------------|----------------|------|------------|
| DRAWING NO | EP716-A11 | | |
| PART NAME | Drive Axle Set | | |
| PART NO | 1000423874 | REV | A |
| APPROVE | LICHAOSHUN | DATE | 2018.04.04 |



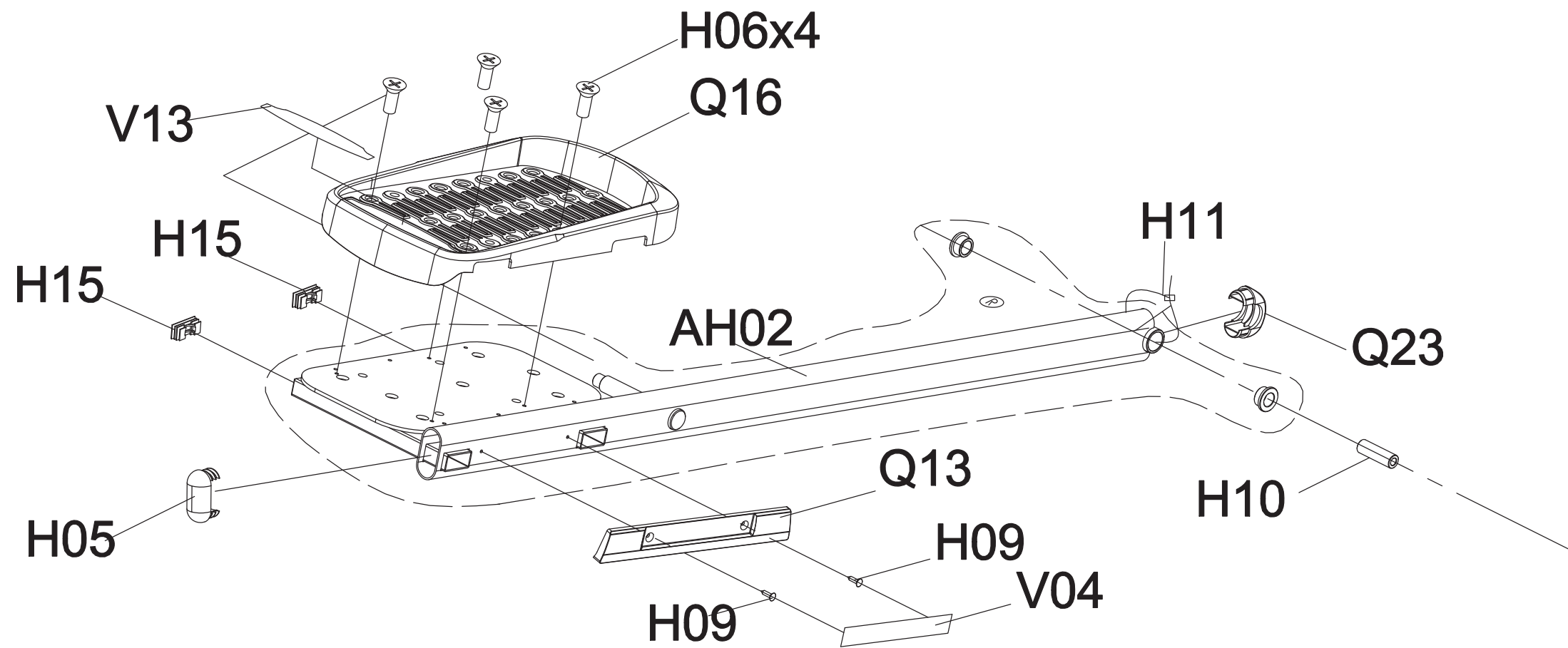
| | | | |
|------------|-------------|------|------------|
| DRAWING NO | EP716-AN01 | | |
| PART NAME | Console set | | |
| PART NO | 1000423875 | REV | A |
| APPROVE | LICHAOSHUN | DATE | 2018.04.03 |



N13

| | | | |
|------------|----------------|------|------------|
| DRAWING NO | EP716-A14 | | |
| PART NAME | Link Arm Set;R | | |
| PART NO | SEE CHART | REV | A |
| APPROVE | Bran Xu | DATE | 2020.06.15 |

| |
|------------|
| Part No. |
| 1000423870 |
| 1000454765 |



| | | | |
|------------|----------------|------|------------|
| DRAWING NO | EP716-A13 | | |
| PART NAME | Link Arm Set;L | | |
| PART NO | SEE CHART | REV | A |
| APPROVE | Bran Xu | DATE | 2020.06.15 |

| |
|------------|
| Part No. |
| 1000423868 |
| 1000454766 |

